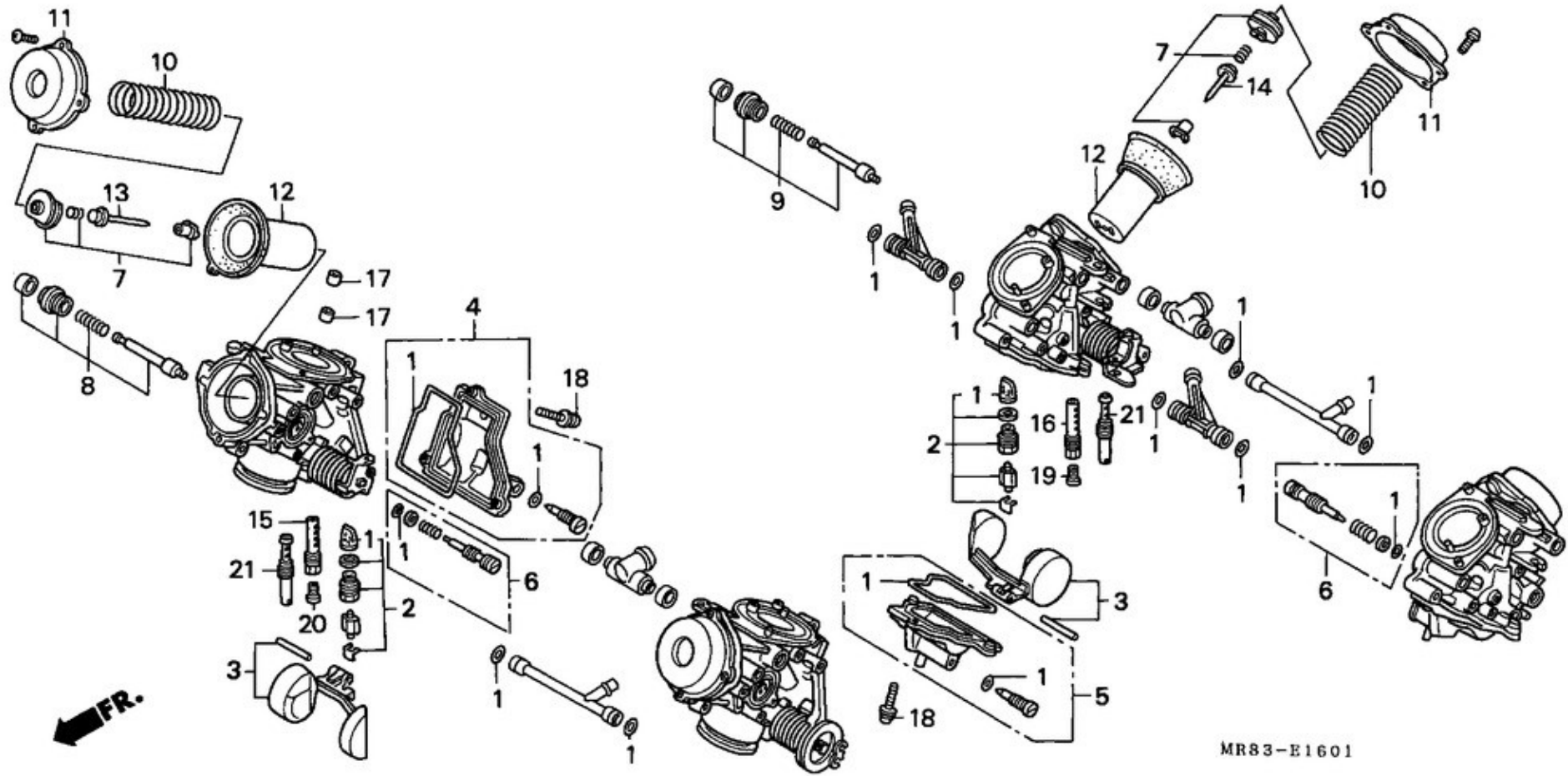


VFR400R3L - Year: 1990



Sheet1

No.	Part No.	Description	Qty
1	16010MR8003 (16010-MR8-505)	GASKET SET	4
2	16011MR8003 (16011-MR8-003)	SEAT SET, VALVE	4
3	16013KE8004 (16013-KE8-004)	FLOAT SET	4
4	16015ML0014 (16015-KCR-900)	CHAMBER SET, FLOAT	2
5	16015MR8003 (16015-MR8-003)	CHAMBER SET, FLOAT	2
6	16016ML0721 (16016-MV1-630)	SCREW SET A	4
7	16037MR8600 (16037-MR8-600)	PLATE SET, VALVE	4
8	16046MG9681 (16046-MG9-681)	VALVE SET, STARTER	2
9	16047ML7004 (16047-MAJ-870)	VALVE SET B, STARTER	2
10	16050MR8600 (16050-MR8-600)	SPRING, COMPRESSION COIL	4
11	16107ML0721 (16107-ML0-721)	TOP COMP.	4
12	16111MR8600 (16111-MR8-600)	PISTON COMP., VACUUM	4
13	16151MR8600 (16151-MR8-600)	NEEDLE COMP., JET	2
14	16151MR8640 (16151-MR8-640)	NEEDLE COMP., JET	2
15	16165MR8600(16165-MR8-600)	HOLDER, NEEDLE JET	2
16	16165MR8640 (16165-MR8-640)	HOLDER, NEEDLE JET	2
17	16178MB0671(16178-MB0-671)	PIN, KNOCK	8
18	938920401610 (938920401600)	SCREW-WASHER, 4X16	12
19	991013931200 (99101-MBZ1200)	JET, MAIN, #120	2
20	991013931220 (99101GHB1220)	JET, MAIN, #122	2
21	991034370350 (991034370350)	JET, SLOW, #35	4