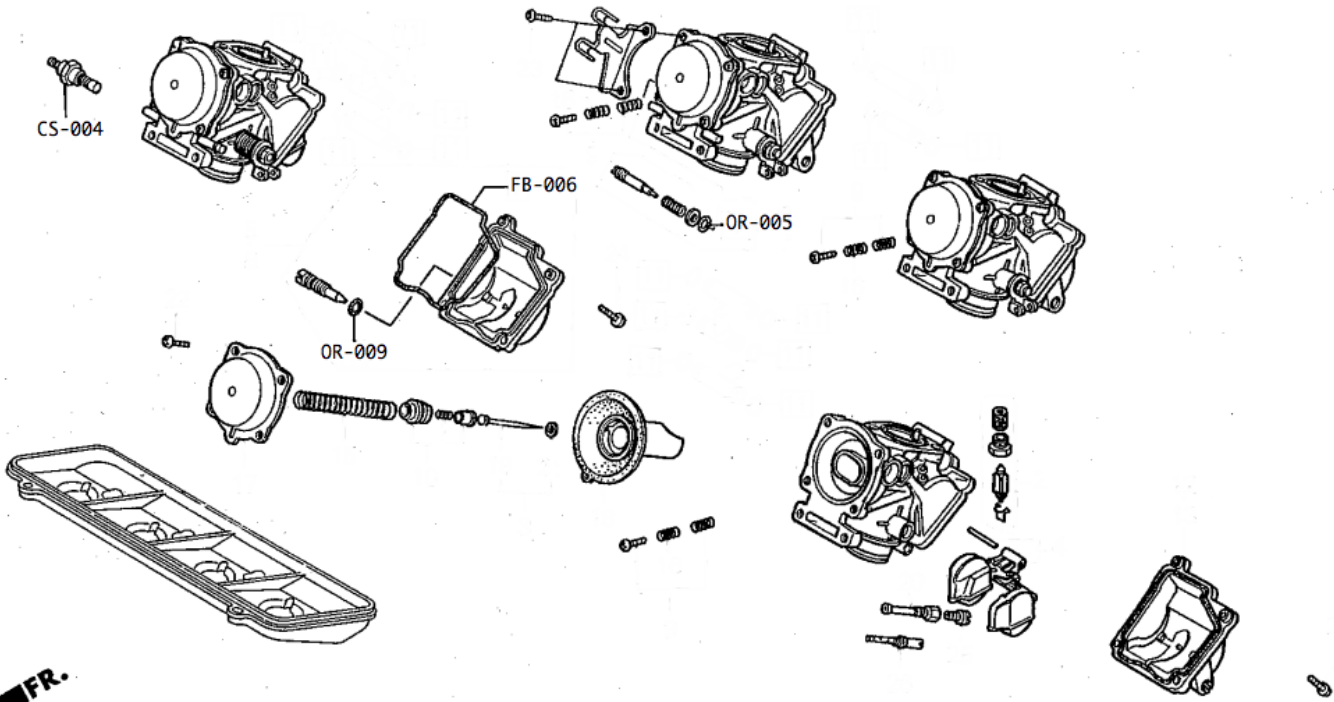
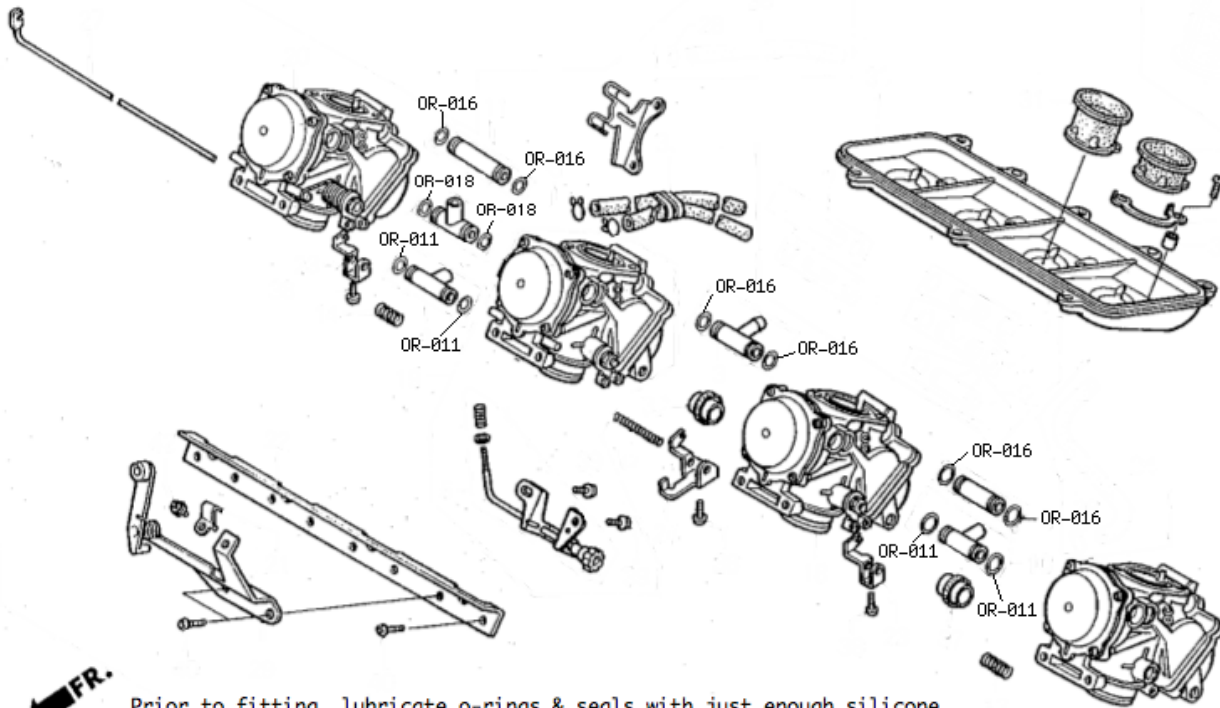


CBR250



KT71-E1601A

CBR250RR MC19 - J & K Models



FR.

Prior to fitting, lubricate o-rings & seals with just enough silicone (grease or spray) to give a glossy finish.

KT71-E1600B