

99 R1 Parts Catalog

YZF-R1L (4XVA) .....49 State US Model  
YZF-R1LC (4XVB).....California Model

Owners Manual.....LIT-11626-12-32  
Service Manual.....LIT-11616-11-25

Cowling Color Codes

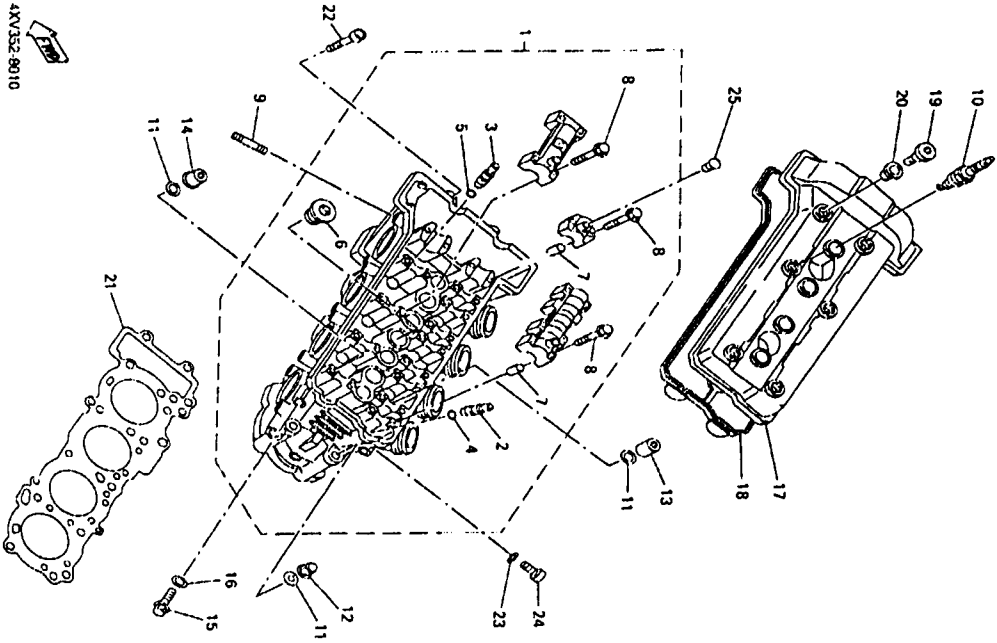
BWC1 .....Blueish White Cocktail  
DPBMC.....Deep Purplish Blue Metallic Cocktail  
VRC1/BL1.....Vermillion Red Cocktail/Black  
**\*NOTE\*** Part #'s are for 99 R1. These are not the right color codes for the 98 plastic.

INDEX

Camshaft – Chain.....A9	Intake.....B4
Carburetor.....B5-B6	Meter.....F4
Clutch.....B12,C1	Oil Cleaner.....B3
Cowling 1 .....E9	Oil, Pump.....B2
Cowling 2 .....E10, E11, E12	Radiator – Hose.....A12, B1
Crankcase.....B6	Rear Arm.....C11, C12
Crankcase Cover 1.....B9, B10	Rear Brake Caliper.....D12
Crankshaft – Piston .....A6	Rear Master Cylinder.....E7, E8
Cylinder.....A5	Rear Suspension.....D1
Electrical 1 .....F8, F9	Rear Wheel.....D10, D11
Electrical 2 .....F10, F11	Seat.....D7
Exhaust .....B7	Shift Cam – Fork.....C4
Fender.....C8, C9	Shift Shaft.....C5
Flasher Light.....F3	Side Cover.....C10
Frame.....C6, C7	Stand – Footrest.....E4, E5, E6
Front Brake Caliper.....D9	Starter.....B11
Front Fork.....D3, D4	Starting Motor.....F2
Front Master Cylinder .....E2, E3	Steering.....D2
Front Wheel .....D8	Steering Handle – Cable.....E1
Fuel Tank.....D5, D6	Tail Light.....F6
Generator.....F1	Transmission.....C2, C3
Handle Switch – Lever.....F7	Valve.....A7, A8
Headlight.....F5	Water Pump.....A10, A11

[This INDEX is clickable. Click on the page number to be transported. ---Longview](#)

# CYLINDER



YZRH1L

4XV35Z-8010

Ref. No.	Part Number	Description	Qty	Remarks
----------	-------------	-------------	-----	---------

1	4XV-11101-00-00	CYLINDER HEAD ASSEMBLY	1	
2	3TJ-11133-10-00	GUIDE, INTAKE VALVE	12	
3	1WG-11133-11-00	GUIDE, INTAKE VALVE	8	
4	93440-07149-00	CIRCLIP	12	
5	93440-10153-00	CIRCLIP	8	
6	90340-27129-00	PLUG, STRAIGHT SCREW	1	
7	91800-16023-00	PH, DOWEL	12	
8	90105-05384-00	BOLT, WASHER BASED	28	
9	95617-08625-00	BOLT, STUD	8	
10	94701-00318-00	PLUG, SPARK (NGK R CR6E)	4	
11	90201-103M4-00	WASHER, PLATE	10	
12	90176-10075-00	NUT, CROWN	2	
13	90179-10663-00	NUT	3	
14	90179-10693-00	NUT	5	
15	95027-08012-00	BOLT, FLANGE	1	
16	90430-08119-00	GASKET	1	
17	4XV-11191-00-00	COVER, CYLINDER HEAD 1	1	
18	4XV-11181-00-00	GASKET, HEAD COVER 1	1	
19	90109-068F0-00	RUBBER, MOUNT 1	6	
20	4KG-11111G-00-00	GASKET, CYLINDER HEAD 1	1	
21	4XV-11181-00-00	BOLT	2	
22	91317-06080-00	GASKET	4	
23	90430-06014-00	BOLT	4	
24	91317-06012-00	PLUG	2	
25	90338-08174-00			

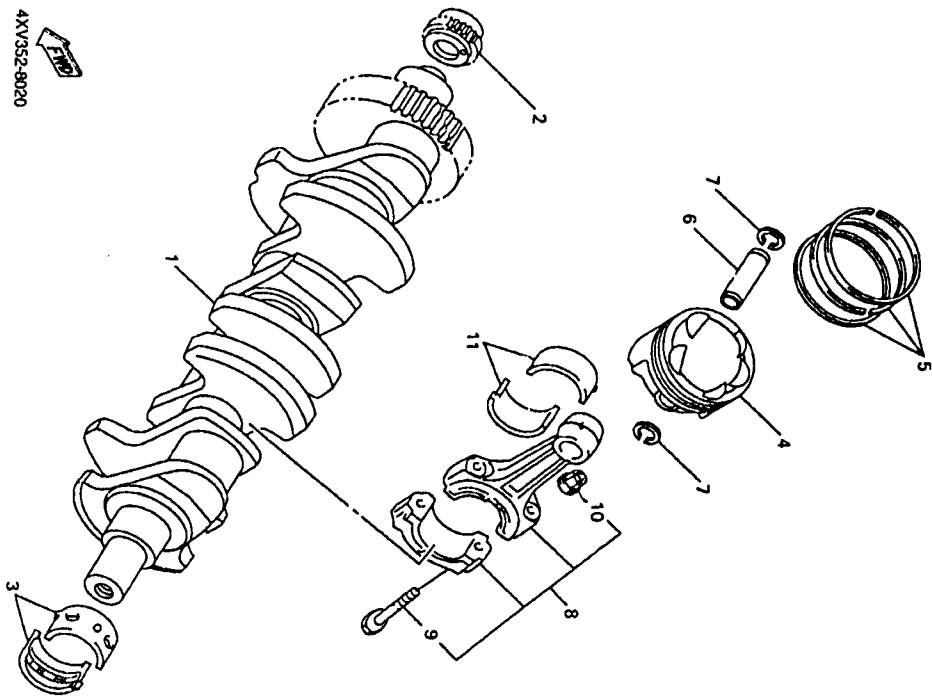
UR

## CONTENTS

CAMSHAFT - CHAIN	A9
CARBURETOR	B5-6
CLUTCH	B12 C1
CONVING 1	E9
CONVING 2	E16-12
CRANKCASE	B6
CRANKCASE COVER 1	B9-16
CRANKSHAFT - PISTON	A6
CYLINDER	A5
ELECTRICAL 1	F3-9
ELECTRICAL 2	F16-11
EXHAUST	E7
FLYWHEEL	C9-9
FRAMES	F3
FRONT BRAKE CALIPER	C9-7
FRONT FORK	D9-4
FRONT MASTER CYLINDER	D2-3
FRONT WHEEL	E2-3
FUEL TANK	D8
GENERATOR	F1
HANDLE SWITCH - LEVER	F7
HEADLIGHT	F5
IGNITE	F3
METER	B4
ONE CLAMER	F4
ON CLAMP	B2
OR FLYW	A12 B1
ORATORION - HOSE	C11-12
REAR AXLE	D12
REAR BRAKE CALIPER	E7-4
REAR MASTER CYLINDER	D1
REAR SUSPENSION	D1
REAR WHEEL	D16-11
SEAT	D7
SHIRT CAM - FORK	C4
SHIRT SHAFT	C5
SKR COVER	C9
STAND - FOOTREST	E4-6
STARTER	B11
STARTING MOTOR	F2
STEERING HANDLE - CABLE	D2
TAILLIGHT	E1
TRANSMISSION	F5
VALVE	C2-3
WATER PUMP	A7-8
	A16-11

A5

# CRANKSHAFT - PISTON

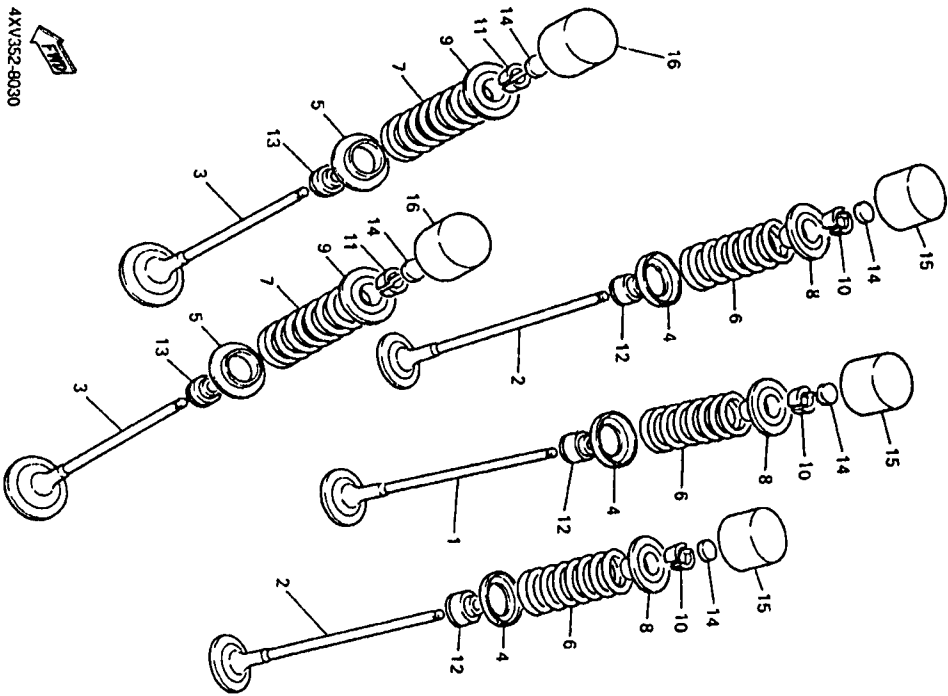


Ref. No.	Part Number	Description	Qty	Remarks
1	4XV-11411-00-00	CRANKSHAFT	1	
2	4XV-11549-00-00	SPROCKET, CAM CHAIN	1	
3	3GM-11416-00-00	PLANE BEARING, CRANKSHAFT 1	10	UR BLUE
	3GM-11416-10-00	PLANE BEARING, CRANKSHAFT 1	10	UR BLACK
	3GM-11416-20-00	PLANE BEARING, CRANKSHAFT 1	10	UR BROWN
	3GM-11416-40-00	PLANE BEARING, CRANKSHAFT 1	10	UR WHITE
	3GM-11416-80-00	PLANE BEARING, CRANKSHAFT 1	10	UR PURPLE
4	4XV-11631-00-00	PISTON (STD)	4	
5	4XV-11633-00-00	PISTON RING SET (STD)	4	
6	4XV-11633-00-00	PIN, PISTON	4	
7	90468-12069-00	CLIP	8	
8	4XV-11650-00-00	CONNECTING ROD ASSEMBLY	4	
9	4XV-11654-00-00	BOLT, CONNECTING ROD	2	
10	90179-08327-00	NUT	2	
11	3GM-11656-00-00	PLANE BEARING, CONNECTING ROD	8	UR BLUE
	3GM-11656-10-00	PLANE BEARING, CONNECTING ROD	8	UR BLACK
	3GM-11656-40-00	PLANE BEARING, CONNECTING ROD	8	UR WHITE
	3GM-11656-80-00	PLANE BEARING, CONNECTING ROD	8	UR PURPLE

## CONTENTS

Part Name	Ref. No.
CRANKSHAFT - CHAIN	A9
CARBURETOR	B5-6
CLUTCH	B12 C1
COMPLING 1	E9
COMPLING 2	E16-12
CRANKCASE	B8
CRANKCASE COVER 1	B5-10
CRANKSHAFT - PISTON	A5
CYLINDER	A5
ELECTRICAL 1	F4-9
ELECTRICAL 2	F16-11
EXHAUST	B7
FLASHER LIGHT	C4-9
FLASHER LIGHT	F3
FRAME	C4-7
FRONT BRAKE CALIPER	D8
FRONT FORK	D4-4
FRONT MASTER CYLINDER	E2-3
FRONT WHEEL	D8
FUEL TANK	D5-4
GENERATOR	F1
HANDLE SWITCH - LEVER	F7
HEADLIGHT	F5
HEADLIGHT	F5
METER	B4
METER	B4
OIL CLEANER	B3
RADIATOR - NOSE	A12 B1
REAR ARM	CT1-12
REAR BRAKE CALIPER	D12
REAR MASTER CYLINDER	E7-4
REAR SUSPENSION	D1
REAR WHEEL	D18-11
SEAT	D7
SHIFT CABLE - FORK	C4
SHIFT SHAFT	C4
SIDE COVER	C10
STAND - FOOTREST	E4-4
STARTER	B11
STARTING MOTOR	F2
STEERING HANDLE - CABLE	D2
TAILLIGHT	E1
TRANSMISSION	F8
VALVE	C2-3
WATER PUMP	A7-4

# VALVE



Ref. No.	Part Number	Description	Qty	Remarks
----------	-------------	-------------	-----	---------

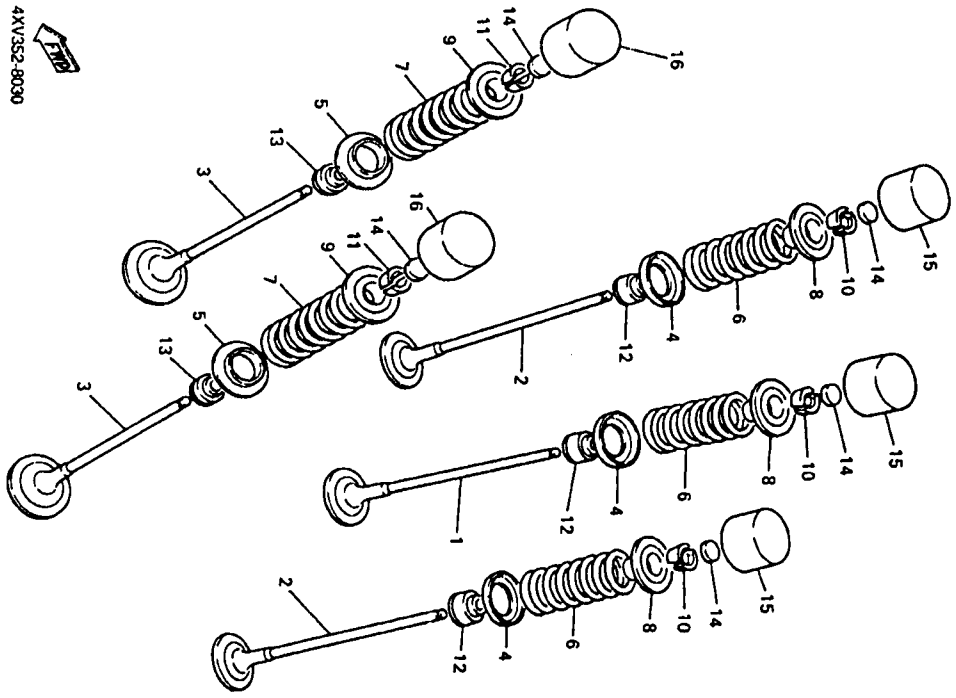
1	4XY-12111-00-00	VALVE, INTAKE	4	
2	4XY-12112-00-00	VALVE, INTAKE 2	8	
3	4XY-12121-00-00	VALVE, EXHAUST	8	
4	1HX-12116-00-00	SEAT, VALVE SPRING	12	
5	3GM-12126-00-00	SEAT, VALVE SPRING 2	8	
6	4XY-12113-00-00	SPRING, VALVE INNER	12	
7	4XY-12114-00-00	SPRING, VALVE OUTER	8	
8	1HX-12117-00-00	RETAINER, VALVE SPRING	12	
9	1WG-12117-00-00	RETAINER, VALVE SPRING	8	
10	1HX-12118-00-00	COTTER, VALVE	24	
11	1WG-12119-00-00	SEAL, VALVE STEM	16	
12	41Y-12119-00-00	SEAL, VALVE STEM	12	
13	4SV-12119-00-00	SEAL, VALVE STEM	8	
14	1HX-12168-00-00	PAD, ADJUSTING 2 (1.20)	20	UR
	1HX-12168-20-00	PAD, ADJUSTING 2 (1.25)	20	UR
	1HX-12168-40-00	PAD, ADJUSTING 2 (1.30)	20	UR
	1HX-12168-60-00	PAD, ADJUSTING 2 (1.35)	20	UR
	1HX-12168-80-00	PAD, ADJUSTING 2 (1.40)	20	UR
	1HX-12168-HI-00	PAD, ADJUSTING 2 (1.45)	20	UR
	1HX-12168-KI-00	PAD, ADJUSTING 2 (1.50)	20	UR
	1HX-12168-MI-00	PAD, ADJUSTING 2 (1.55)	20	UR
	1HX-12168-RI-00	PAD, ADJUSTING 2 (1.60)	20	UR
	1HX-12168-UI-00	PAD, ADJUSTING 2 (1.65)	20	UR
	1HX-12168-VI-00	PAD, ADJUSTING 2 (1.70)	20	UR
	1HX-12168-WI-00	PAD, ADJUSTING 2 (1.75)	20	UR
	1HX-12168-YI-00	PAD, ADJUSTING 2 (1.80)	20	UR
	1HX-12169-1I-00	PAD, ADJUSTING 2 (1.85)	20	UR
	1HX-12169-3I-00	PAD, ADJUSTING 2 (1.90)	20	UR
	1HX-12169-5I-00	PAD, ADJUSTING 2 (1.95)	20	UR

# CONTENTS

AB	CAMSHAFT - CAM
B5-6	CLAMPBRETTON
B12, C1	CLUTCH
E9	CONLINK 1
E10-12	CONLINK 2
B6	CRANKCASE
B5-10	CRANKCASE COVER 1
A5	CRANKSHAFT - PISTON
A5	CYLINDER
FR-9	ELECTRICAL 1
FR-11	ELECTRICAL 2
B7	EXHAUST
C8-9	FENDER
F3	FLASHER LIGHT
FR-7	FRAME
D9, D4	FRONT BRAKE CALIPER
D3-4	FRONT FORK
E3-3	FRONT MASTER CYLINDER
D8	FRONT WHEEL
D5-6	FUEL TANK
F1	GENERATOR
F7	HANDLE SWITCH - LEVER
F5	HEADLIGHT
B4	HEADLIGHT METER
B4	HEADLIGHT METER
B3	OK, CLEANER
B2	OK, PUMP
A12, B1	RADIATOR - HOSE
CT-1-12	REAR ARM
D12	REAR BRAKE CALIPER
E7-4	REAR MASTER CYLINDER
D1	REAR SUSPENSION
D16-11	REAR WHEEL
D7	SEAT
C4	SHIRT CAM - FORK
C5	SHIRT SHAFT
C10	SIDE COVER
E4-6	STAND - FOOTREST
B11	STARTER
F2	STARTING MOTOR
E1	STEERING HANDLE - CABLE
C3	TAILLIGHT
A2-4	VALVE
A10-11	WATER PUMP

CONTINUED ON NEXT FRAME >

# VALVE



4XV3S2-8030

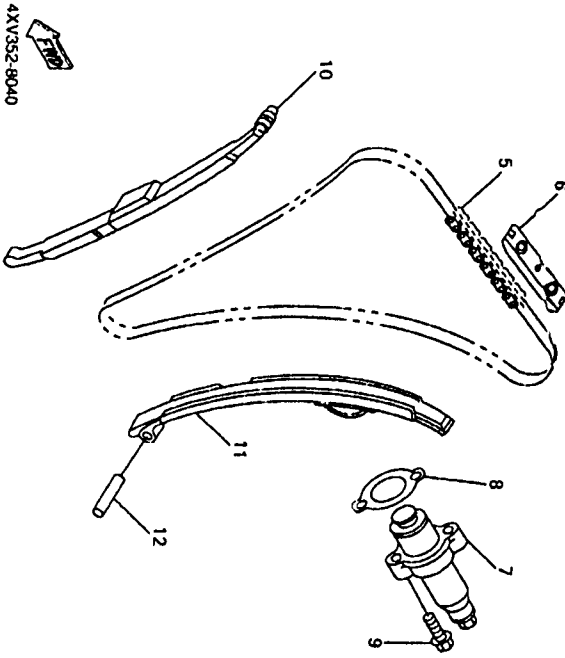
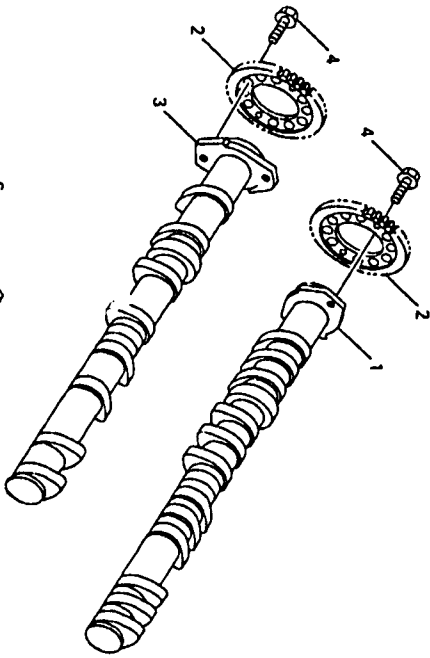
Ref. No.	Part Number	Description	Qty	Remarks
----------	-------------	-------------	-----	---------

14	1HX-12169-50-00	PAD, ADJUSTING 2 (2.00)	20	UR
	1HX-12169-70-00	PAD, ADJUSTING 2 (2.05)	20	UR
	1HX-12169-90-00	PAD, ADJUSTING 2 (2.10)	20	UR
	1HX-12169-E0-00	PAD, ADJUSTING 2 (2.15)	20	UR
	1HX-12169-G0-00	PAD, ADJUSTING 2 (2.20)	20	UR
	1HX-12169-J0-00	PAD, ADJUSTING 2 (2.25)	20	UR
	1HX-12169-L0-00	PAD, ADJUSTING 2 (2.30)	20	UR
	1HX-12169-N0-00	PAD, ADJUSTING 2 (2.35)	20	UR
	1HX-12169-T0-00	PAD, ADJUSTING 2 (2.40)	20	UR
15	3LN-12153-09-00	LIFTER, VALVE (OS)	12	UR GREEN
	3LV-12153-09-00	LIFTER, VALVE (OS)	8	UR BLUE
16	3FV-12153-20-00	LIFTER, VALVE	8	UR GREEN UR BLUE

## CONTENTS

CLASHMATT - CHAIN	A6
CLASHMATT	B4-4
CLUTCH	B12
CONSOLE 1	C1
CONSOLE 2	E10-12
CRANKCASE COVER 1	M
CRANKSHAFT - PISTON	B9-10
CRANKSHAFT	A4
ELECTRICAL 1	F2-11
ELECTRICAL 2	F2
EXHAUST	B7
FLASHER	C2-9
FLASHER LIGHT	F3
FRAME	C2-7
FRONT BRAKE CALIPER	D8
FRONT FORK	D2-4
FRONT MASTER CYLINDER	E2-3
FRONT WHEEL	D6
FUEL TANK	D2-5
GENERATOR	F1
HANDLE SWITCH - LEVER	F7
HEADLIGHT	F5
HEADLIGHT	F4
HEATER	B4
HEATER	F4
OIL CLEANER	B3
OIL PUMP	A12
RADIATOR - HOSE	C11-12
REAR ARM	D12
REAR BRAKE CALIPER	E7-8
REAR MASTER CYLINDER	D1
REAR SUSPENSION	D10-11
REAR WHEEL	D1
SEAT	D10-11
SHORT CAM - FORK	C4
SHORT SHAFT	C5
SOLE COVER	C10
STAND - FOOTREST	E4-5
STARTER	B11
STARTING MOTOR	F2
STEERING HANDLE - CABLE	D2
TAILLIGHT	E1
TRANSMISSION VALVE	F5
VALVE	C2-3
WATER PUMP	A7-8

# CAMSHAFT - CHAIN

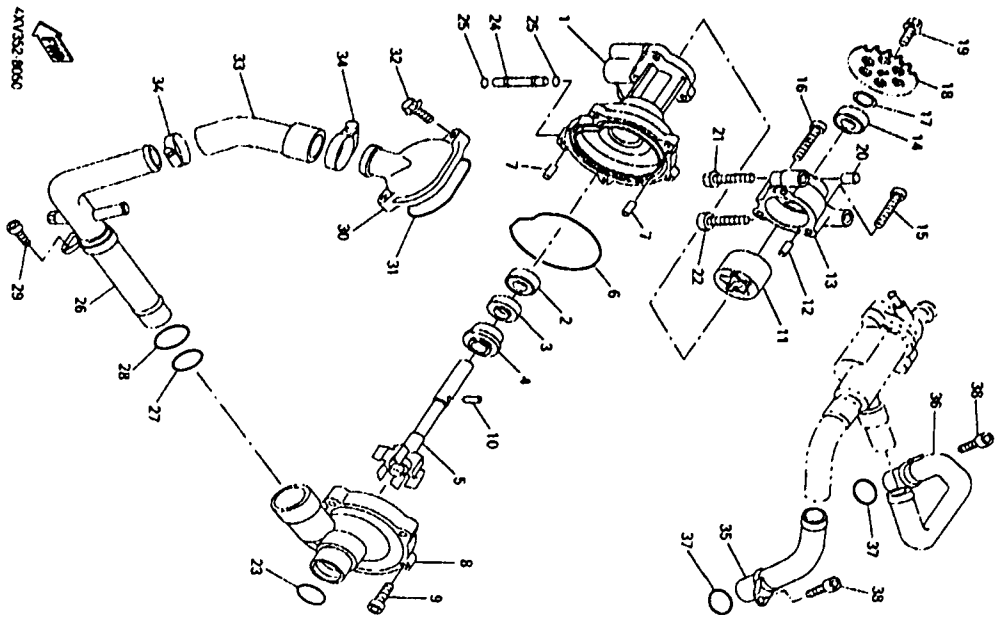


Ref. No.	Part Number	Description	Qty	Remarks
1	4XV-12171-00-00	CAMSHAFT 1	1	
2	4XV-12176-00-00	SPROCKET, CAM CHAIN	2	
3	4XV-12181-00-00	CAMSHAFT 2	1	
4	90106-07342-00	BOLT, WASHER BASED	4	
5	94591-49130-00	CHAIN	1	
6	SBE-12241-00-00	GUIDE, STOPPER 2	1	
7	4XV-12210-00-00	TENSIONER ASSEMBLY, CAM CHAIN	1	
8	4FMA-12213-00-00	GASKET, TENSIONER CASE	1	
9	95027-06025-00	BOLT, FLANGE	2	
10	4XV-12251-00-00	DAMPER, CHAIN 1	1	
11	4XV-12252-00-00	DAMPER, CHAIN 2	1	
12	93607-44190-00	PIN, DOWEL	1	

## CONTENTS

CAMSHAFT, CHAIN	A0
CARBURETOR	B3-4
CLUTCH	B12, C1
CONSOLE 1	E9
CONSOLE 2	E16-12
CRANKCASE	B8
CRANKCASE COVER 1	B9-10
CRANKSHAFT - FRONT	A6
CYLINDER	A5
ELECTRICAL 1	F8-9
ELECTRICAL 2	F16-11
EXHAUST	B7
FENDER	04-5
FLASHER LIGHT	F3
FRAME	04-7
FRONT BRAKE CALIPER	09
FRONT FORK	03-4
FRONT MASTER CYLINDER	E3-3
FRONT WHEEL	08
FUEL TANK	05-6
GENERATOR	F1
HANDLE SWITCH - LEVER	F7
HEADLAMP	F5
METAL	B4
METER	F4
OIL CLEANER	B3
OIL PUMP	B2
RADIATOR - HOSE	A12, B1
REAR AXLE	C11-12
REAR BRAKE CALIPER	D12
REAR MASTER CYLINDER	E7-8
REAR SUSPENSION	D1
REAR WHEEL	D16-11
SEAT	D7
SHIFT CAM - FORK	C4
SHIFT SHAFT	C5
SIDE COVER	C10
STAND - FOOTREST	E4-6
STARTER	B11
STARTING MOTOR	F2
STEERING HANDLE - CABLE	D2
STEERING HANDLE - CABLE	E1
TAIL LIGHT	F6
TRANSMISSION	C2-3
VALVE	A7-8
WATER PUMP	A10-11

# WATER PUMP



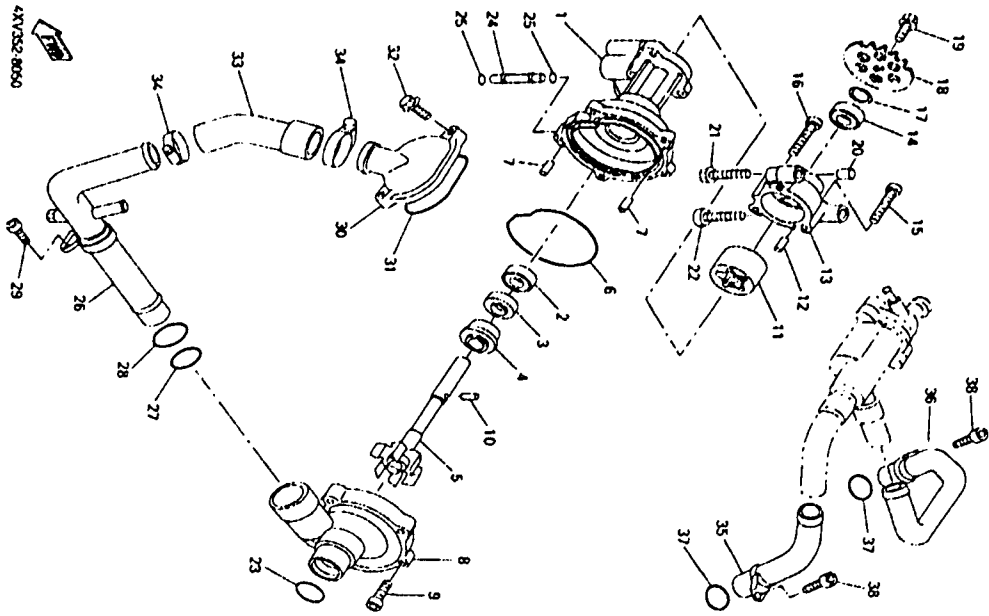
Part No.	Part Number	Description	Qty	Remarks
1	4XV-12421-00-00	HOUSING, WATER PUMP	1	
2	93306-00106-00	BEARING	1	
3	93102-12372-00	OIL SEAL	1	
4	11H-12438-00-00	SEAL, MECHANICAL	1	
5	4XV-12450-00-00	IMPELLER SHAFT ASSEMBLY	1	
6	4XV-12439-00-00	O-RING	1	
7	93904-10011-00	PKN. DOWEL	1	
8	4XV-12422-00-00	COVER HOUSING	2	
9	91317-06025-00	BOLT	1	
10	93603-17070-00	PKN. DOWEL	5	
11	4XV-13310-00-00	ROTOR ASSEMBLY 1	1	
12	93603-12007-00	PKN. DOWEL	1	
13	4XV-13336-00-00	HOUSING, ROTOR	2	
14	93306-00106-00	BEARING	1	
15	91317-06035-00	BOLT	2	
16	91317-06040-00	BOLT	1	
17	90201-12541-00	WASHER, PLATE	1	
18	4XV-13355-00-00	SPROCKET, DRIVEN	1	
19	90106-06154-00	BOLT, WASHER BASED	1	
20	91806-30031-00	PKN. DOWEL	1	
21	95817-06045-00	BOLT, FLANGE	1	
22	91317-06045-00	BOLT	1	
23	93210-357A2-00	O-RING	1	
24	4XV-12485-00-00	O-RING	1	
25	93210-06667-00	PIPE 5	2	
26	4XV-12481-00-00	O-RING	1	
27	93210-235A1-00	O-RING	1	
28	93210-27370-00	BOLT, HEXAGON SOCKET	1	
29	90110-06226-00	HEAD	1	

## CONTENTS

A9	CAMSHAFT - CHAIN
B5-4	CARBURETOR
B17 C1	CLUTCH
E9	CONVING 1
E16-12	CONVING 2
B8	CRANKCASE COVER 1
B9-10	CRANKSHAFT - PISTON
A5	CRANKCASE COVER 2
AS	CYLINDER
RS-9	ELECTRICAL 1
F16-11	ELECTRICAL 2
B7	EXHAUST
CS-9	FLASHER LIGHT
F3	FRAME
CS-7	FRONT BRAKE CALIPER
D4	FRONT FORK
DS-4	FRONT MASTER CYLINDER
E3-3	FRONT WHEEL
D8	FUEL TANK
DS-4	GENERATOR
F1	HANDLE SWITCH - LEVER
F7	HEADLIGHT
F3	HEADLIGHT
B4	INTAKE
F4	METERS
B2	OIL CLEANER
AS-12	OIL PUMP
B1	RADIATOR - HOSE
CS-12	REAR ARM
D12	REAR BRAKE CALIPER
E7-4	REAR MASTER CYLINDER
D1	REAR SUSPENSION
D16-11	REAR WHEEL
D7	SEAT
D4	SHIFT CAM - FORK
C5	SHIFT SHAFT
CS	SOE COVER
C10	STAND - FOOTREST
E4-4	STARTER
B11	STARTING MOTOR
F2	STEERING HANDLE - CABLE
E1	TAILLIGHT
F6	TRANSMISSION
CS-3	VALVE
A10-4	WATER PUMP

CONTINUED ON NEXT FRAME >

# WATER PUMP



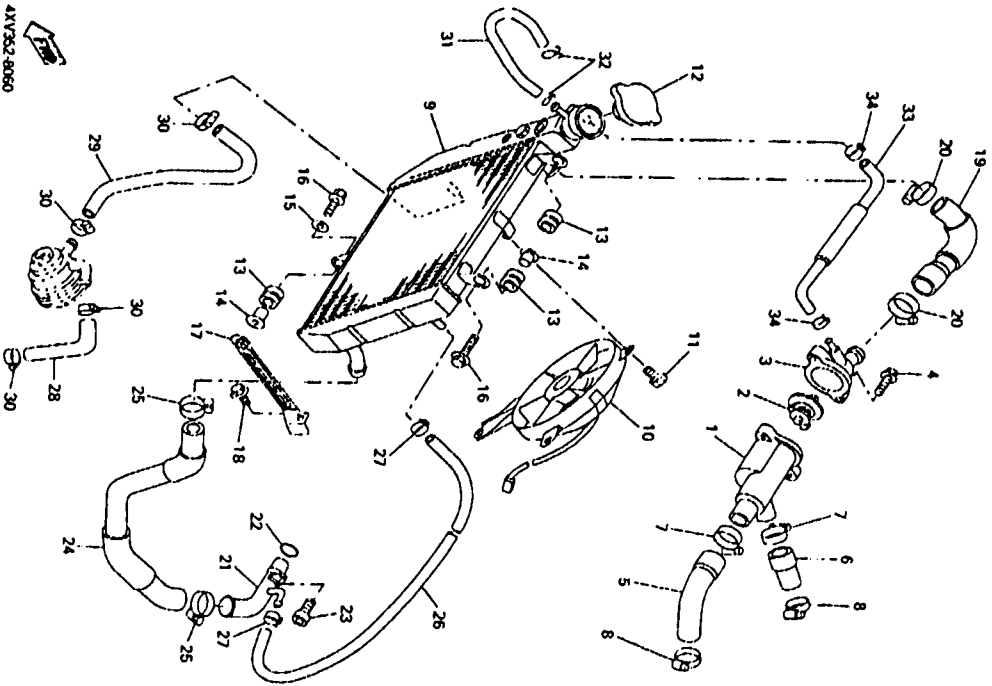
Part No.	Part Number	Description	Qty	Remarks
30	4XV-12469-00-00	JOINT 1	1	
31	5QZ10-47675-00	O-RING	1	
32	95QZ7-06020-00	BOLT, FLANGE	2	
33	4XV-12576-00-00	HOSE 1	1	
34	90A50-39040-00	HOSE CLAMP ASSEMBLY	2	
35	4XV-12482-00-00	PIPE 2	1	
36	4XV-12483-00-00	O-RING	1	
37	5QZ10-18417-00	O-RING	2	
38	91317-06016-00	BOLT	2	

## CONTENTS

A9	CAMSHAFT - CYLINDER
B5-4	CARBURETOR
B12 C1	CLUTCH
E9	CONV LING 1
E16-12	CONV LING 2
B4	CRANKCASE
B9-10	CRANKCASE COVER 1
A4	CRANKSHAFT - PISTON
A5	CYLINDER
F8-9	ELECTRICAL 1
F16-11	ELECTRICAL 2
B7	EXHAUST
C8-9	FENDER
F3	FLASHER LIGHT
C6-7	FRAME
D9	FRONT BRAKE CALIPER
D0-4	FRONT FORK
E2-3	FRONT MASTER CYLINDER
D8	FRONT WHEEL
D5-4	FUEL TANK
F1	GENERATOR
F7	HANDLE SWITCH - LEVER
F5	HEADLIGHT
B4	METER
F4	METER
B3	METER
B2	OIL CLEANER
A12 B1	RADIATOR - HOSE
C11-12	REAR ARM
D12	REAR BRAKE CALIPER
E7-8	REAR MASTER CYLINDER
D1	REAR SUSPENSION
D16-11	REAR WHEEL
D7	SEAT
C4	SHIRT CAM - FORK
C5	SHIRT SHAFT
C10	SIDE COVER
E4-4	STAND - FOOTREST
B11	STARTER
F2	STARTING MOTOR
D2	STEERING HANDLE - CABLE
E1	TAILLIGHT
F5	TRANSMISSION
C2-3	VALVE
A7-8	WATER PUMP
A16-11	WATER PUMP



# RADIATOR - HOSE

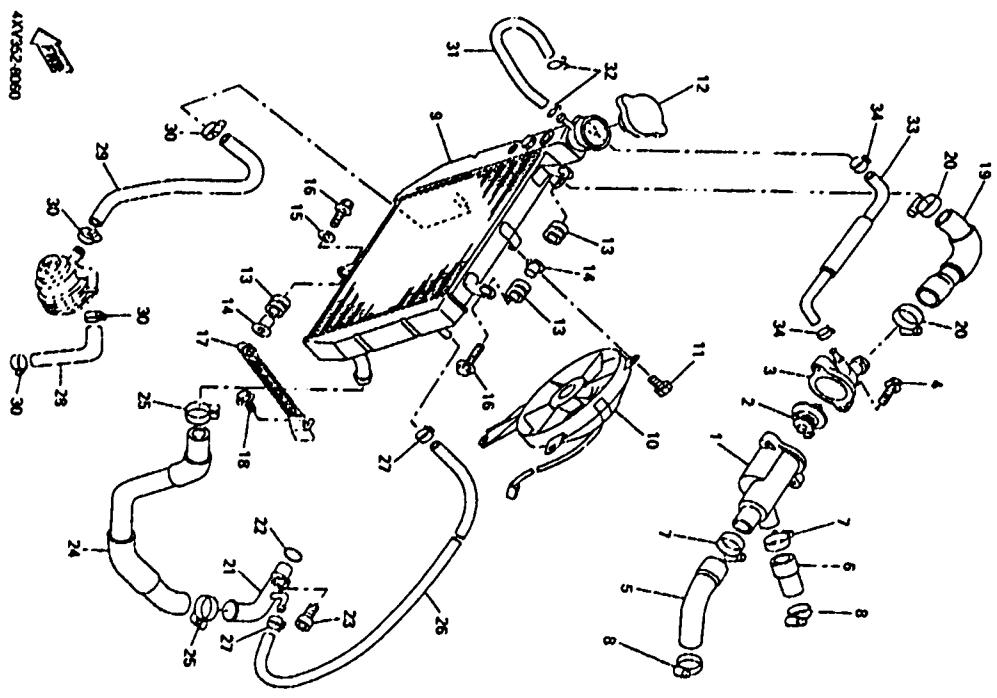


Part Number	Description	Qty	Remarks
1 AXV-12417-00-00	HOUSING, THERMOSTAT	1	
2 4FH-12410-00-00	THERMOSTAT ASSEMBLY	1	
3 AXV-12413-00-00	COVER, THERMOSTAT	1	
4 96027-06025-00	BOLT, FLANGE	2	
5 AXV-12577-00-00	HOSE 2	1	
6 AXV-12578-00-00	HOSE 3	1	
7 90450-32051-00	HOSE CLAMP ASSEMBLY	2	
8 90450-28014-00	HOSE CLAMP ASSEMBLY	2	
9 AXV-12461-00-00	RADIATOR ASSEMBLY	1	
10 AXV-12405-00-00	BLOWER ASSEMBLY	1	
11 95817-06010-00	BOLT, FLANGE	6	
12 4JH-12462-00-00	CAP, RADIATOR	1	
13 90480-15363-00	GROMMET	3	
14 90387-07391-00	COLLAR	2	
15 90201-06071-00	WASHER, PLATE	1	
16 95827-06025-00	BOLT, FLANGE	2	
17 AXV-12464-00-00	STAY, RADIATOR	1	
18 95827-06012-00	BOLT, FLANGE	1	
19 AXV-12579-00-00	HOSE 4	1	
20 90450-38040-00	HOSE CLAMP ASSEMBLY	1	
21 AXV-12484-00-00	HOSE 4	2	
22 90210-23787-00	O-RING	1	
23 90110-06226-00	BOLT, HEXAGON SOCKET HEAD	1	
24 AXV-12551-00-00	HOSE 7	1	
25 90450-32040-00	HOSE CLAMP ASSEMBLY	2	
26 AXV-12434-00-00	HOSE 1	1	
27 90467-11090-00	CLIP	2	
28 AXV-12588-00-00	HOSE 5	1	

CONTINUED ON NEXT FRAME >

## CONTENTS

Part Number	Description	Page
AB	CARBURETOR - CHAIN	AB
B5-4	CLUTCH	B5-4
B72, C1	COUPLING 1	B72, C1
E78-12	COUPLING 2	E78-12
B6	CRANKCASE COVER 1	B6
B5-10	CRANKCASE COVER 2	B5-10
A4	CRANKCASE COVER 3	A4
A5	CRANKCASE COVER 4	A5
F8-9	ELECTRICAL 1	F8-9
F8-11	ELECTRICAL 2	F8-11
B7	EVAPORATOR	B7
C4-8	FLASHER LIGHT	C4-8
F3	FRAME BRAKE CALIPER	F3
D9	FRONT FORK	D9
D2-4	FRONT MASTER CYLINDER	D2-4
D8	FRONT WHEEL	D8
D5-4	FUEL TANK	D5-4
F1	GENERATOR	F1
F7	HANDLE SWITCH - LEVER	F7
F3	HEADLIGHT	F3
B4	HEADLIGHT	B4
F4	IGNITION	F4
B3	METER	B3
B2	ON/CLEANER	B2
A12, B1	RADIATOR - HOSE	A12, B1
C11-12	REAR FARM	C11-12
D12	REAR BRAKE CALIPER	D12
E7-4	REAR MASTER CYLINDER	E7-4
D1	REAR SUSPENSION	D1
D10-11	REAR WHEEL	D10-11
D7	SEAT	D7
C4	SHIFT CABLE - FORK	C4
C5	SHIFT CABLE - SHIFTER	C5
C10	SHOCK COVER	C10
E4-4	STAND - FOOTREST	E4-4
B11	STARTER	B11
F2	STARTING MOTOR	F2
D2	STEERING HANDLE - CABLE	D2
E1	TAILLIGHT	E1
C2-3	THROTTLE CABLE	C2-3
A7-4	VALVE	A7-4
A10-11	WATER PUMP	A10-11



# RADIATOR - HOSE

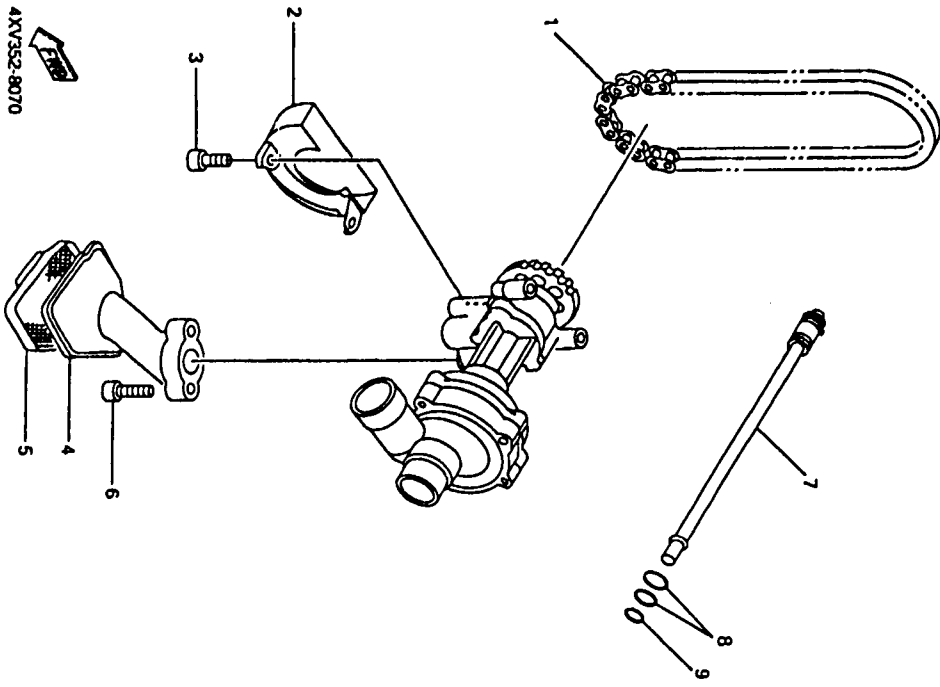
Ref. No.	Part Number	Description	Qty	Remarks
29	4XV-12589-00-00	HOSE 6	1	
30	90450-22017-00	HOSE CLAMP ASSEMBLY	4	
31	90445-09074-00	HOSE	1	
32	90467-08003-00	CLIP	2	
33	4XV-12552-00-00	HOSE 8	1	
34	90467-11090-00	CLIP	2	

## CONTENTS

A8	CAUSHAFT - CHAIN
B5-6	CARBURETOR
B12 C1	CLUTCH
E3	CONVULG 1
E10-12	CONVULG 2
B6-10	CRANKCASE
A6	CRANKCASE COVER 1
A5	CRANKSHAFT - MOTOR
A5	CYLINDER
A5	ELECTRICAL 1
F8-9	ELECTRICAL 2
F8-11	EXHAUST
B7	FENDER
C8-9	FLASHER LIGHT
F3	FRAME
C8-7	FRONT BRAKE CALIPER
D8	FRONT FORK
D1-4	FRONT MASTER CYLINDER
E3-5	FRONT WHEEL
D8	FUEL TANK
D5-6	GENERATOR
F7	HEADLIGHT
F7	HEADLIGHT SWITCH - LEVER
F5	HEADLIGHT
B4	METER
B3	METER
B3	OIL CLEANER
A12 B1	OIL PUMP
C11-12	RADIATOR - HOSE
D12	REAR ARM
E7-8	REAR BRAKE CALIPER
D1	REAR MASTER CYLINDER
D1	REAR SUSPENSION
D1	REAR WHEEL
D1	SEAT
D7	SHIRT CAM - FORK
C4	SHIRT SHAFT
C3	SHIRT SHAFT
C9	SIDE COVER
E4-6	STAND - FOOTREST
B11	STARTER
F2	STARTING MOTOR
D2	STEERING HANDLE - CABLE
E1	TALLIGHT
F5	TRANSMISSION
C3	VALVE
A7-8	WATER PUMP

# OIL PUMP

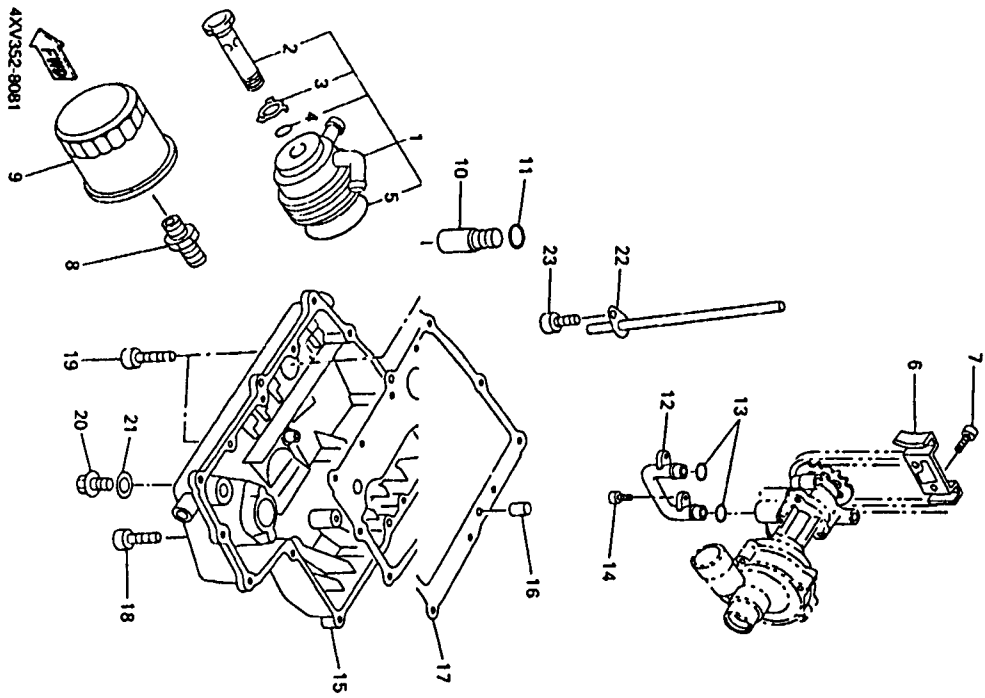
Ref. No.	Part Number	Description	Qty	Remarks
1	94590-29079-00	CHAIN (DID25 78L) .....	1	
2	4XV-1327-00-00	COVER, PUMP GEAR .....	1	
3	91317-06012-00	BOLT .....	1	
4	4XV-13412-00-00	HOUSING, STRAINER .....	1	
5	4XV-13411-00-00	STRAINER, OIL .....	1	
6	91317-06020-00	BOLT .....	2	
7	4XV-1318E-00-00	PIPE, DELIVERY 5 .....	1	
8	92210-09165-00	O-RING .....	2	
9	92210-06667-00	O-RING .....	1	



## CONTENTS

CAMSHAFT - CHAIN	A4
CLUTCH	B4
COVER 1	B12
COVER 2	E9
CRANKCASE	E1412
CRANKCASE COVER 1	B6
CRANKSHAFT - PISTON	B41
CYLINDER	A4
ELECTRICAL 1	F4
ELECTRICAL 2	F41
EXHAUST	B1
FINGER	C4
FLASHER LIGHT	F1
FRAME	C17
FRONT BRAKE CALIPER	D4
FRONT FORK	D2
FRONT MASTER CYLINDER	E3
FRONT WHEEL	D4
FUEL TANK	D4
GENERATOR	F1
HANDLE SWITCH - LEVER	F1
HEADLIGHT	F3
IGNITION	F4
METERS	B4
OIL CLEANER	A4
OIL PUMP	B2
RADIATOR - HOSE	A12
REAR ARM	C11-12
REAR BRAKE CALIPER	D12
REAR MASTER CYLINDER	E74
REAR SUSPENSION	D1
REAR WHEEL	D4-11
SEAT	D1
SHIRT CAM - FORK	C4
SHIRT SHAFT	C4
SIDE COVER	C4
STAND - FOOTREST	E44
STARTER MOTOR	B11
STEERING MOTOR	F2
STEERING HANDLE - CABLE	D2
TAILLIGHT	E1
TRANSMISSION	F4
VALVE	C4
WATER PUMP	A74
	A18-11

# OIL CLEANER

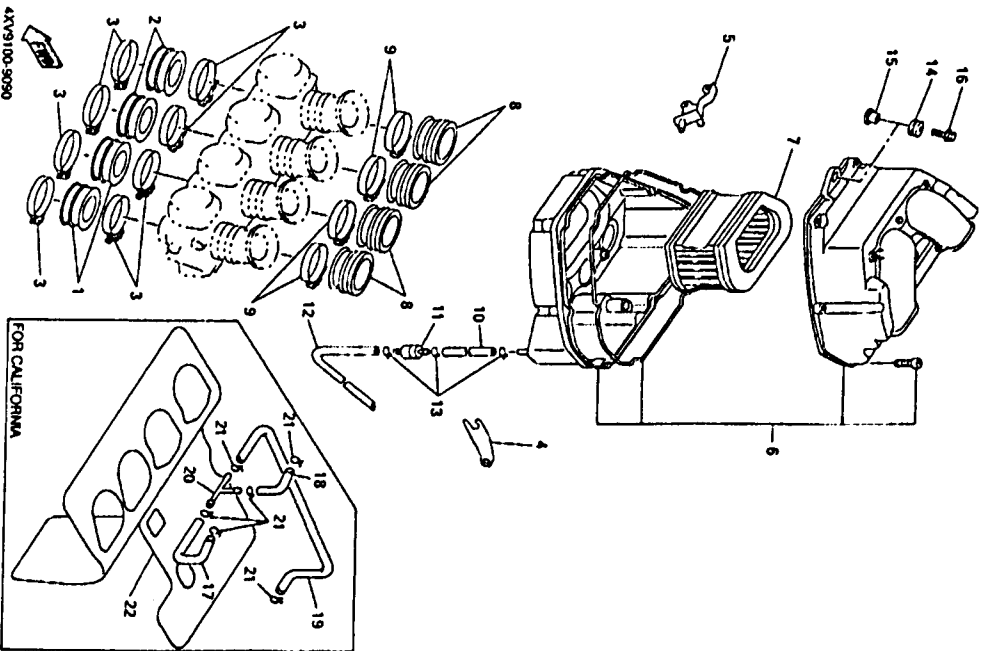


Part No.	Part Number	Description	Qty	Remarks
1	4XV-13470-00-00	OIL COOLER ASSEMBLY	1	
2	4XV-12822-00-00	BOLT, UNION	1	
3	4XV-13473-00-00	O-RING	1	
4	4XV-13318-00-00	WASHER	1	
5	4XV-13475-00-00	GASKET	1	
6	4XV-13898-00-00	HOLDER	1	
7	91317-06012-00	BOLT	2	
8	90401-20145-00	BOLT, UNION	1	
9	3FV-13440-00-00	ELEMENT ASSEMBLY, OIL CLEANER	1	
10	4XV-13490-00-00	RELIEF VALVE ASSEMBLY	1	
11	92310-15566-00	O-RING	1	
12	4XV-13416-00-00	PIPE, OIL 1	1	
13	92310-14579-00	O-RING	2	
14	91317-06012-00	BOLT	2	
15	4XV-13417-00-00	COVER, STRAINER	1	
16	99530-08012-00	PIN, DOWEL	2	
17	4XV-13414-00-00	GASKET, STRAINER COVER	1	
18	91317-06025-00	BOLT	13	
19	90110-06225-00	BOLT, HEXAGON SOCKET HEAD	2	
20	90340-14132-00	PLUG, STRAIGHT SCREW	1	
21	214-11198-01-00	GASKET	1	
22	4XV-13161-00-00	PIPE DELIVERY 1	1	
23	91317-06012-00	BOLT	1	

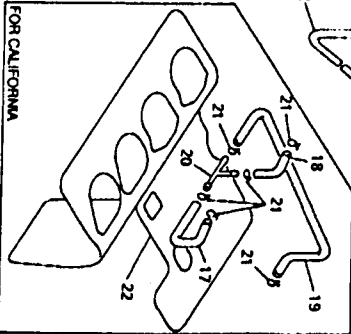
## CONTENTS

CAMSHAFT - CRANK	A8
CAMSHAFT	B4-4
CLUTCH	B12-C1
COMPLING 1	E3
COMPLING 2	E10-12
CRANKCASE COVER 1	B8
CRANKCASE COVER 2	B9-10
CRANKSHAFT - PISTON	A5
CYLINDER	F4-9
ELECTRICAL 1	F10-11
ELECTRICAL 2	B7
EXHAUST	B7
FLASHER LIGHT	C4-9
FLAME	F3
FRONT BRAKE CALIPER	C4-7
FRONT FORK	D0
FRONT MASTER CYLINDER	D2-4
FRONT WHEEL	E2-3
FUEL TANK	D6
GENERATOR	D4-4
HANDLE SWITCH - LEVER	F1
HEADLIGHT	F7
HEADLIGHT	F3
METAL	B4
METER	F4
OIL CLEANER	B3
OIL PUMP	B2
RADIATOR - HOSE	A12-B1
REAR BRAKE CALIPER	C11-12
REAR MASTER CYLINDER	D12
REAR SUSPENSION	E7-8
REAR WHEEL	D1
SEAT CAM - FORK	D10-11
SEAT CAM - FORK	D7
SHORT SHAFT	C3
SHORT SHAFT	C4
SIZE COVER	C10
STAND - FOOTREST	E4-6
STARTER MOTOR	B11
STEERING HANDLE - CABLE	F2
TAILLIGHT	D2
TRANSMISSION	E1
VALVE	F5
WATER PUMP	C2-3
	A7-8
	A10-11

# INTAKE



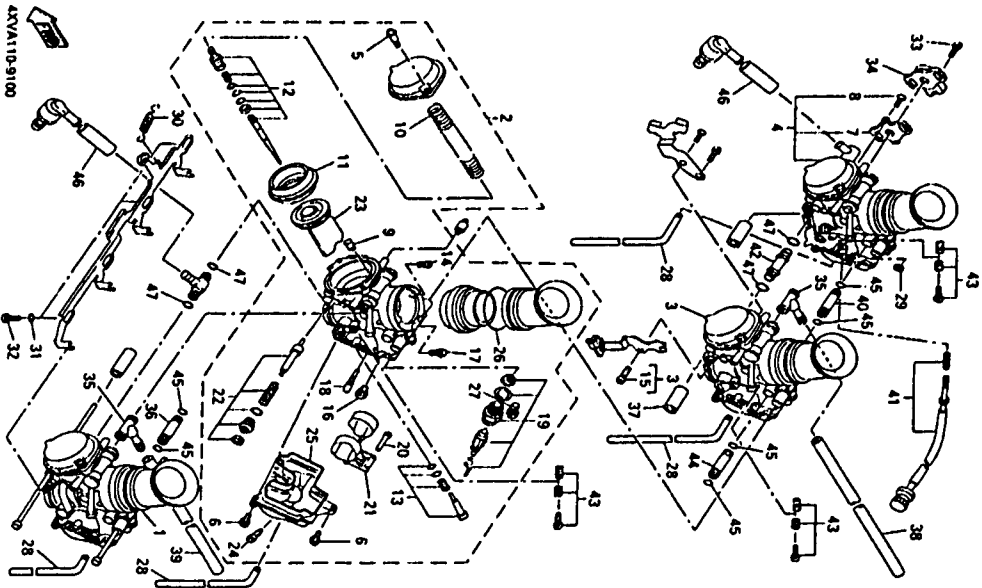
Part Number	Description	Qty	Remarks
1 4XV-13597-00-00	JOINT, CARBURETOR 3	2	
2 4XV-13598-00-00	JOINT, CARBURETOR 4	2	
3 90M50-5704-00	HOSE CLAMP ASSEMBLY	8	
4 4XV-14414-00-00	STAY 2	1	
5 4XV-14413-00-00	STAY 1	1	
6 4XV-14401-00-00	AIR CLEANER CASE ASSEMBLY	1	
7 4XV-14451-00-00	ELEMENT, AIR CLEANER	1	
8 4XV-14453-00-00	JOINT, AIR CLEANER 1	4	
9 90M50-75083-00	HOSE CLAMP ASSEMBLY	4	
10 90M45-11452-00	HOSE	1	
11 4X7-2149Y-00-00	FILTER ASSEMBLY	1	
12 90M45-113F8-00	HOSE	1	
13 90M67-10041-00	CLIP	3	
14 90M80-12314-00	GROMMET	1	
15 90387-065L6-00	COLLAR	1	
16 95817-08820-00	BOLT, FLANGE	1	
17 4XV-14465-00-00	PIPE	1	
18 4XV-14466-00-00	PIPE	1	
19 4XV-1443J-00-00	PIPE	1	
20 90M13-08012-00	WAV 3	1	
21 90M67-10008-00	CLIP	6	
22 4XV-12982-00-00	PROTECTOR, HEAT	1	



# CONTENTS

AA	CAMSHAFT - CHAIN
AB	CLUTCH
B12 C1	CONNECTOR 1
E9	CONNECTOR 2
E18-12	CRANKCASE COVER 1
B8	CRANKCASE COVER 2
B8-16	CRANKSHAFT - PISTON
A5	CYLINDER
A5	ELECTRICAL 1
F8-11	ELECTRICAL 2
B7	EVAPUATOR
C9-4	FLASHER LIGHT
F3	FRAME
C9-7	FRONT BRAKE CALIPER
D9	FRONT FORK
D9-4	FRONT MASTER CYLINDER
E33	FRONT WHEEL
D8	FUEL TANK
D5-4	GENERATOR
F1	HANDLE SWITCH - LEVER
F7	HEADLIGHT
F5	HEADLIGHT
B4	METER
R4	METER
B2	OIL CLEANER
B2	RADIATOR - HOSE
A12 B1	REAR AXLE
CT-12	REAR BRAKE CALIPER
D12	REAR MASTER CYLINDER
E74	REAR SUSPENSION
D1	REAR WHEEL
D18-11	SEAT
D7	SHIRT CASE - FORK
C4	SHIRT SWIFT
C5	SHIRT SWIFT
C9	SIDE COVER
E44	STAND - FOOTREST
B11	STARTER
F2	STARTING MOTOR
D2	STEERING HANDLE - CABLE
E1	TAILLIGHT
R5	TRANSMISSION
C23	VALVE
A74	VALVE
A18-11	WATER PUMP

# CARBURETOR



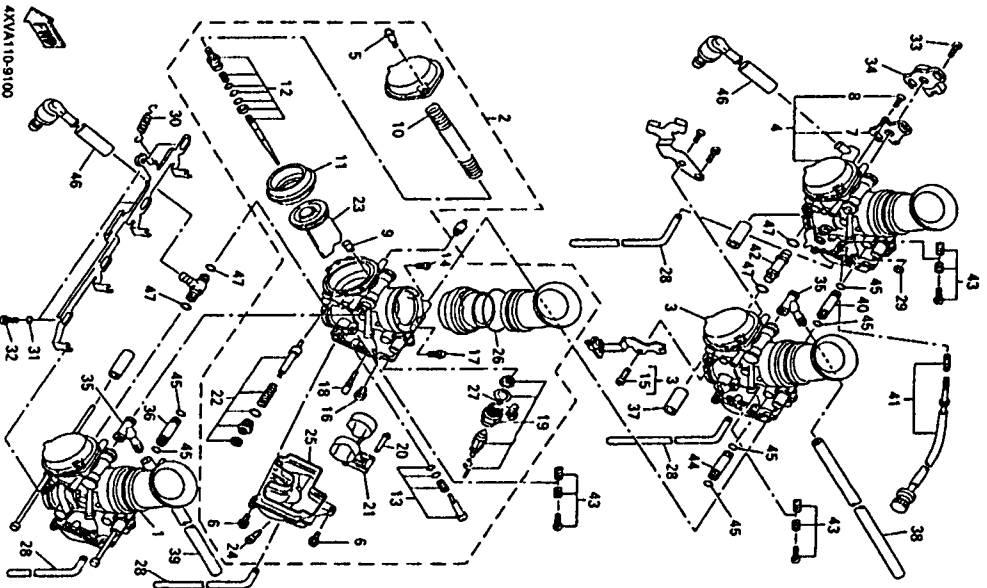
Ref. No.	Part Number	Description	Qty	Remarks
1	4XV-14901-20-00	CARBURETOR ASSEMBLY 1	1	
2	4XV-14901-30-00	CARBURETOR ASSEMBLY 1	1	CALIFORNIA
2	4XV-14902-20-00	CARBURETOR ASSEMBLY 2	1	CALIFORNIA
3	4XV-14902-30-00	CARBURETOR ASSEMBLY 2	1	CALIFORNIA
3	4XV-14903-20-00	CARBURETOR ASSEMBLY 3	1	CALIFORNIA
4	4XV-14904-20-00	CARBURETOR ASSEMBLY 4	1	CALIFORNIA
5	4XV-14904-30-00	CARBURETOR ASSEMBLY 4	1	CALIFORNIA
6	98507-05012-00	SCREW, PAN HEAD	2	
7	4K-G-14995-00-00	BRACKET	3	
8	98707-04008-00	SCREW, FLAT HEAD	2	
9	4SV-14988-00-00	CAP	1	
10	4SV-14933-00-00	SPRING, DIAPHRAGM	1	
11	4SV-24411-00-00	DIAPHRAGM	1	
12	4XV-14901-30-00	NEEDLE SET	1	
13	4SV-14105-00-00	PILOT SCREW SET	1	
15	98507-04014-00	SCREW, PAN HEAD	2	
16	3G2-14231-26-00	JET, MAIN (#130)	1	
17	8CC-14232-24-00	JET, AIR (#120)	1	
18	4K-M-14142-15-00	JET, PILOT (#15)	1	
19	4K-M-14107-15-00	NEEDLE VALVE SET	1	
20	620-14186-00-00	PNL, FLOAT	1	
21	4SV-14985-00-00	FLOAT	1	
22	4SV-1410A-00-00	STARTER SET	1	
23	4SV-14112-00-00	VALVE, THROTTLE 1	1	
24	4K-P-14191-00-00	PLUG, DRAIN	1	
25	4XV-14582-00-00	O-RING	1	

CONTINUED ON NEXT FRAME >

## CONTENTS

A9	CAMSHAFT - CHAIN
B4-4	CARBURETOR
B12-C1	CLUTCH
E9	CONVING 1
E10-12	CONVING 2
B6	CRANKCASE
B8-10	CRANKCASE COVER 1
A5	CRANKSHAFT - PISTON
A5	ELECTRICAL 1
F8-9	ELECTRICAL 2
F9-11	EXHAUST
C4-9	FENDER
F3	FLASHER LIGHT
C5-7	FRAME
D9	FRONT BRAKE CALIPER
D1-4	FRONT FORK
E2-3	FRONT MASTER CYLINDER
D8	FRONT WHEEL
D5-4	FUEL TANK
F1	GENERATOR
F7	HANDLE SWITCH - LEVER
F5	HEADLIGHT
F4	METER
B3	MIXTURE
B2	ON, CLEANER
A12-B1	RADIATOR - HOSE
C14-12	REAR ARM
D12	REAR BRAKE CALIPER
D7-8	REAR MASTER CYLINDER
D1	REAR SUSPENSION
DW-11	SEAT
D7	SHIFT CAM - FORK
C4	SHIFT SHAFT
C5	SIDE COVER
C10	STAND - FOOTREST
E4-6	STARTER
B11	STARTING MOTOR
F2	STEERING HANDLE - CABLE
D2	STEERING
E1	TAILLIGHT
C3	TRANSMISSION
A2-4	VALVE
A10-11	WATER PUMP

# CARBURETOR



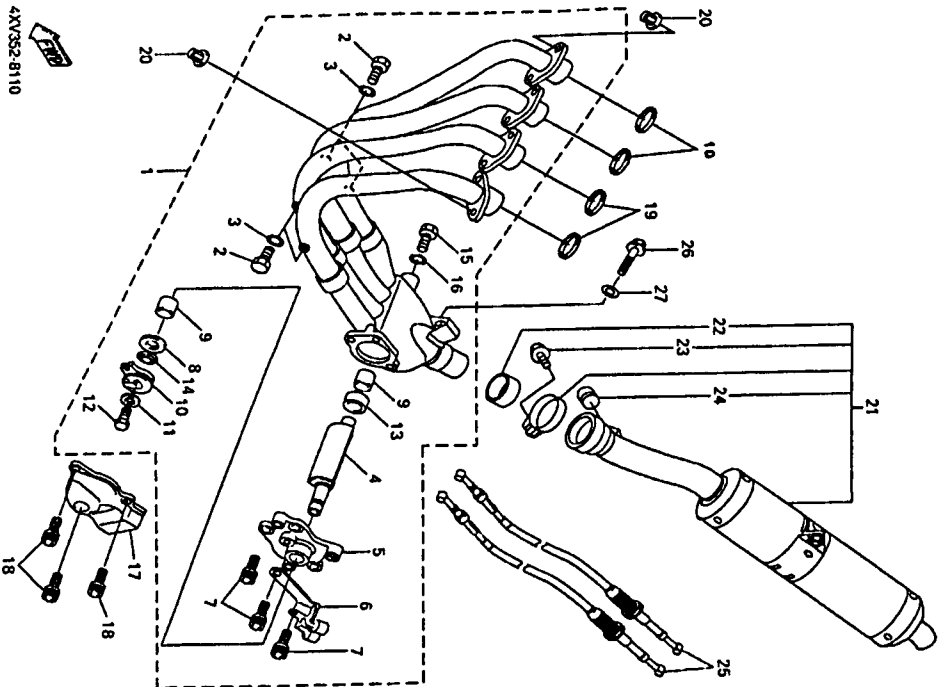
Ref. No.	Part Number	Description	Qty	Remarks
----------	-------------	-------------	-----	---------

26	4XV-14275-00-00	.. SPRING .....	1	
27	1FN-14565-00-00	.. SCREW .....	1	
28	3JE-14197-00-00	.. PIPE .....	1	
29	28V-14852-00-00	.. WASHER .....	4	
30	4SV-14935-00-00	.. SPRING .....	1	
31	4NK-14327-00-00	.. PACKING .....	3	
32	4XV-24453-00-00	.. SCREW .....	2	
33	4KM-24453-00-00	.. SCREW .....	2	
34	4SV-85885-00-00	.. THROTTLE POSITION SENSOR ASSEMBLY .....	1	
35	4SV-14967-00-00	.. HOSE .....	2	
36	4XV-14149-30-00	.. PIPE .....	1	
37	4XV-14149-60-00	.. PIPE .....	1	
38	4SV-14967-30-00	.. HOSE .....	1	
39	4XV-90445-10-00	.. HOSE .....	1	
40	4XV-14149-40-00	.. PIPE .....	1	
41	4XV-14103-00-00	.. THROTTLE SCREW SET .....	1	
42	4XV-14149-90-00	.. PIPE .....	1	
43	3EN-1490K-00-00	.. STOP SCREW SET .....	3	
44	4XV-14149-70-00	.. PIPE .....	1	
45	36V-14147-00-00	.. O-RING .....	6	
46	3LN-14348-00-00	.. PIPE 1 .....	2	
47	3LN-1418A-00-00	.. O-RING .....	4	

## CONTENTS

A0	CAMSHAFT - CRAW
B4-6	CARBURETOR
B12 C1	CLUTCH
E9	CONVING 1
E16-12	CONVING 2
B8	CRANKCASE
B9-16	CRANKCASE COVER 1
A4	CRANKSHAFT - PISTON
A5	CYLINDER
F4-9	ELECTRICAL 1
F10-11	ELECTRICAL 2
B7	EXHAUST
C4-8	FLASHER LIGHT
F3	FRAME
C6-7	FRONT BRAKE CALIPER
D9-4	FRONT FORK
E3-3	FRONT MASTER CYLINDER
D8	FUEL TANK
D5-4	GENERATOR
F1	HANDLE SWITCH - LEVER
F7	HEADLIGHT
F3	HEADLIGHT
B4	INTAKE
F4	METER
B3	OIL CLEAVER
B2	RADIATOR - HOSE
A12 B1	REAR AXLE
C11-12	REAR BRAKE CALIPER
D12	REAR MASTER CYLINDER
E7-4	REAR SUSPENSION
D1	REAR WHEEL
D10-11	SEAT
D7	SHIFT CABLE - FORK
C4	SHIFT SHAFT
C5	SIDE COVER
C19	STAND - FOOTREST
E4-4	STARTER
B11	STARTING MOTOR
F2	STEERING HANDLE - CABLE
D2	STEERING MOTOR
E1	TAILLIGHT
F5	TRANSMISSION VALVE
C2-3	VALVE
A7-4	WATER PUMP
A10-11	

# EXHAUST



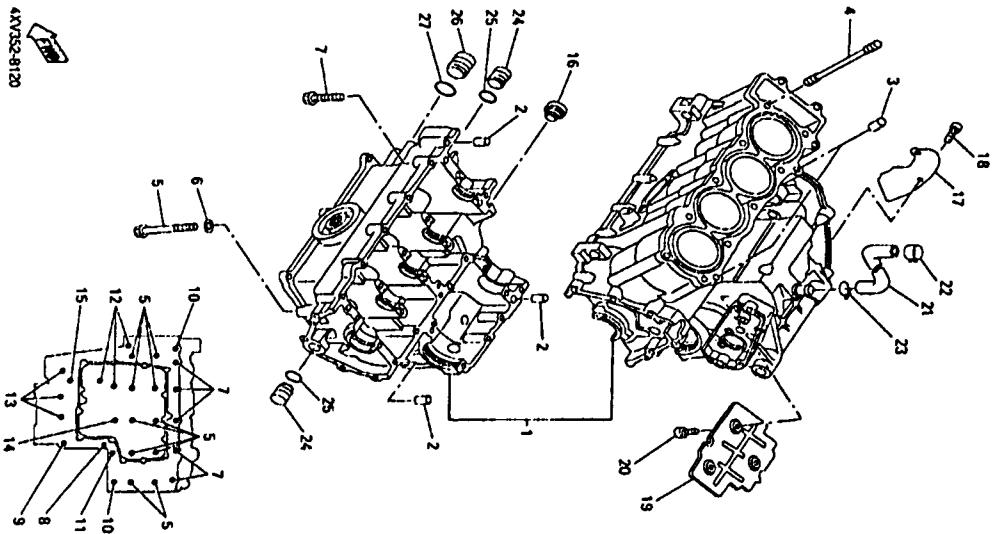
Ref. No.	Part Number	Description	Qty	Remarks
1	4XV-14610-00-00	EXHAUST PIPE ASSEMBLY 1	1	
2	97080-06008-00	BOLT	4	
3	92990-06600-00	WASHER, PLATE	4	
4	4SV-14621-00-00	ARM, SHAFT (VALVE)	1	
5	3GM-14811-00-00	HOUSING	1	
6	2TK-14867-01-00	BRACKET	1	
7	90119-08115-00	BOLT, WITH WASHER	3	
8	90201-106M6-00	WASHER, PLATE	1	
9	4SV-14638-00-00	COLLAR	2	
10	2TK-14665-01-00	PULLEY	1	
11	90201-05074-00	WASHER, PLATE	1	
12	97080-05012-00	BOLT	1	
13	90287-108J7-00	COLLAR	1	
14	3GM-14683-00-00	SPRING, HOOK	1	
15	91380-04006-00	BOLT	2	
16	92990-04600-00	WASHER, PLATE	2	
17	4HD-14826-00-00	PROTECTOR, EXHAUST	2	
18	90119-06187-00	BOLT, WITH WASHER	3	
19	4FM-14613-00-00	GASKET, EXHAUST PIPE	4	
20	90179-08410-00	NUT	8	
21	4XV-14710-11-00	MUFFLER ASSEMBLY 1	1	
22	4XV-14714-00-00	GASKET, MUFFLER	1	
23	95814-08025-00	BOLT, FLANGE	1	
24	4FM-24181-00-00	DAMPER, LOCATING 1	1	
25	4XV-1130E-00-00	CABLE PULLEY ASSEMBLY	1	
26	95817-08040-00	BOLT, FLANGE	1	
27	90201-08612-00	WASHER, PLATE	1	

## CONTENTS

CAMSHAFT - CRANK	A9
CARBURETOR	B4-5
CLUTCH	B12 C1
CONNECTING 1	E3
CONNECTING 2	E16-12
CRANKCASE	M6
CRANKCASE COVER 1	B6-16
CRANKSHAFT - PISTON	M6
CYLINDER	M6
ELECTRICAL 1	F3-4
ELECTRICAL 2	F3-4
EXHAUST	F4-11
FLASHER	B7
FLASHER LIGHT	C2-3
FRAME	C2-7
FRONT BRAKE CALIPER	C2-7
FRONT FORK	D4
FRONT MASTER CYLINDER	D4-4
FRONT WHEEL	E2-3
FUEL TANK	M6
GENERATOR	D5-4
HANDLE SWITCH - LEVER	F1
HEADLIGHT	F7
IGNITION	F3
METER	F4
MUFFLER	M6
ON CLEANER	M6
RADIATOR - NOSE	B2
REAR AXLE	A12 B1
REAR BRAKE CALIPER	C1-12
REAR MASTER CYLINDER	D12
REAR SUSPENSION	E7-8
REAR WHEEL	D1
SEAT	D16-11
SHIFT CABLE - FRONT	D7
SHIFT SHAFT	C4
SIDE COVER	C3
STAND - FOOTREST	E4-6
STARTER MOTOR	B11
STEERING HANDLE - CABLE	F2
TAILLIGHT	D2
TRANSMISSION	F5
VALVE	C2-3
WATER PUMP	A7-8
WASHER	A10-11



# CRANKCASE

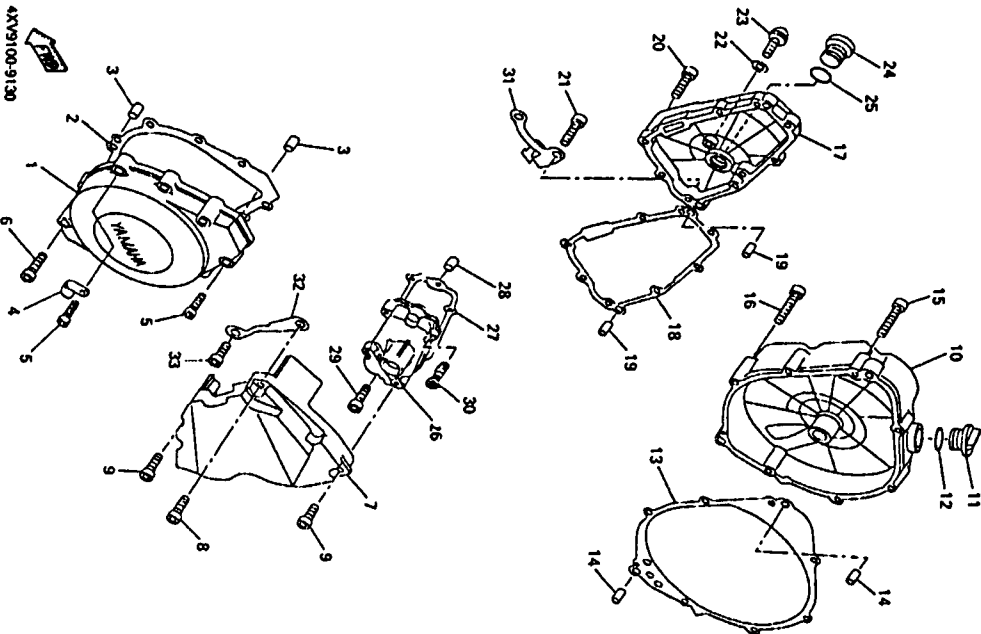


Part No.	Part Number	Description	Qty	Remarks
1	4XV-15100-00-00	CRANKCASE ASSEMBLY	1	
2	99530-10014-00	PNL DOWEL	3	
3	99530-10114-00	PNL DOWEL	2	
4	90116-10619-00	BOLT, STUD	10	
5	90105-09345-00	BOLT, WASHER BASED	10	
6	90201-09619-00	WASHER, PLATE	10	
7	95317-06055-00	BOLT, FLANGE	5	
8	95817-08050-00	BOLT, FLANGE	1	
9	95817-08050-00	BOLT, FLANGE	1	
10	90109-06533-00	BOLT	2	
11	95817-06050-00	BOLT, FLANGE	1	
12	95817-06070-00	BOLT, FLANGE	3	
13	95817-06045-00	BOLT, FLANGE	3	
14	95814-06050-00	BOLT, FLANGE	1	
15	95817-06055-00	GAUGE, LEVEL	1	
16	2817-15361-00-00	PLATE, BREATHER	1	
17	4XV-11165-00-00	BOLT	2	
18	91317-06012-00	PLATE, BREATHER 2	1	
19	4XV-11145-00-00	BOLT	3	
20	91317-06012-00	HOSE	1	
21	90445-161K7-00	CLIP	1	
22	90468-08104-00	CLIP	1	
23	90467-14015-00	PLUG	2	
24	90338-16282-00	O-RING (93210-12790-00)	2	
25	93210-12790-00	PLUG	1	
26	90338-20283-00	O-RING	1	
27	93210-16314-00	O-RING	1	

## CONTENTS

AA	CAUSKVAFT - CHAIN
BB-6	CLUTCH
B12-L1	COVERING 1
E9-12	COVERING 2
BB-12	CRANKCASE
BB-16	CRANKCASE COVER 1
AA	CRANKSHAFT - PISTON
AA	CYLINDER
AA	ELECTRICAL 1
AA	ELECTRICAL 2
AA	EXHAUST
AA	FLASHER LIGHT
AA	FLAME
AA	FRONT BRAKE CALIPER
AA	FRONT FORK
AA	FRONT MASTER CYLINDER
AA	FRONT WHEEL
AA	FUEL TANK
AA	GENERATOR
AA	HANDLE SWITCH - LEVER
AA	HEADLIGHT
AA	METER
AA	METER
AA	OIL CLEANER
AA	RADIATOR - HOSE
AA	REAR ARM
AA	REAR BRAKE CALIPER
AA	REAR MASTER CYLINDER
AA	REAR SUSPENSION
AA	REAR WHEEL
AA	SEAT
AA	SHIRT CAM - FORK
AA	SHIRT SHAFT
AA	SIDE COVER
AA	STAND - FOOTREST
AA	STARTER
AA	STARTING MOTOR
AA	STEERING HANDLE - CABLE
AA	TAILLIGHT
AA	TRANSMISSION
AA	VALVE
AA	WATER PUMP

# CRANKCASE COVER 1



Ref. No.	Part Number	Description	Qty	Remarks
1	4XV-15411-00-00	COVER, CRANKCASE 1	1	
2	4XV-15451-00-00	GASKET, CRANKCASE COVER 1	1	
3	99530-08012-00	PNL, DOWEL	2	
4	90461-10136-00	CLAMP	1	
5	91314-06605-00	BOLT	8	
6	91314-06620-00	BOLT	1	
7	4XV-15418-00-00	COVER, CHAIN CASE	1	
8	90110-06224-00	BOLT, HEXAGON SOCKET HEAD	1	
9	91314-06025-00	BOLT	4	
10	4XV-15421-00-00	COVER, CRANKCASE 2	1	
11	3F3-15382-00-00	PLUG, OIL LEVEL	1	
12	92210-27194-00	O-RING	1	
13	4XV-15461-00-00	GASKET, CRANKCASE COVER 2	1	
14	90250-08022-00	PNL, STRAIGHT	2	
15	91314-06040-00	BOLT	3	
16	91314-06050-00	BOLT	1	
17	4XV-15416-00-00	COVER, OIL PUMP	1	
18	4XV-15456-00-00	GASKET, OIL PUMP COVER 1	1	
19	99530-08012-00	PNL, DOWEL	2	
20	91314-06020-00	BOLT	4	
21	91314-06025-00	BOLT	4	
22	90430-08143-00	GASKET	1	
23	92014-08012-00	BOLT, BUTTON HEAD	1	
24	90340-32116-00	PLUG, STRAIGHT SCREW	1	
25	92210-32172-00	O-RING	1	
26	5EG-15425-00-00	COVER, GENERATOR 2	1	
27	4XV-15463-00-00	GASKET, CARBURETOR COVER 2	1	

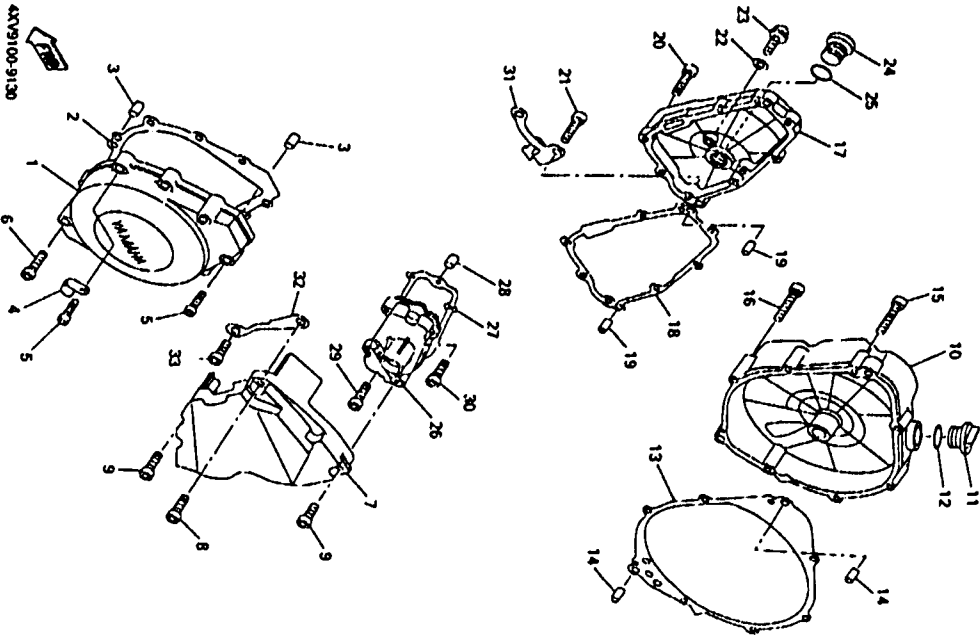
## CONTENTS

CAUSHAFT - CHAIN	A6
CARBURETOR	B5-4
CLUTCH	B12 C1
CONVING 1	E9
CONVING 2	E10-12
CRANKCASE COVER 1	B9-10
CRANKSHAFT - PISTON	A5
CYLINDER	FA-9
ELECTRICAL 1	F10-11
ELECTRICAL 2	B7
EXHAUST	CA-9
FLASHER LIGHT	F3
FRAME	CA-7
FRONT BRAKE CALIPER	D6
FRONT FORK	DA-4
FRONT MASTER CYLINDER	E2-3
FRONT WHEEL	D8
FUEL TANK	DA-4
GENERATOR	F1
HANDLE SWITCH - LEVER	F7
HEADLIGHT	F3
HEADLIGHT	F5
INTAKE	F4
METER	B4
OL, CLEANER	B2
OL, PUMP	A12 B1
RADIATOR - HOSE	CA-13-2
REAR ARM	D12
REAR MASTER CYLINDER	F7-9
REAR SUSPENSION	D1
REAR WHEEL	D10-11
SEAT	D7
SHIRT CAM - FORK	C4
SHIRT SHAFT	C3
SIDE COVER	CA-10
STAND - FOOTREST	FA-6
STARTER	B11
STARTING MOTOR	F2
STEERING	D2
STEERING HANDLE - CABLE	E1
TAILLIGHT	FA
TRANSMISSION	C2-3
VALVE	A7-8
WATER PUMP	A10-11

CONTINUED ON NEXT FRAME >

# CRANKCASE COVER 1

Part No.	Part Number	Description	Qty	Remarks
28	99S30-08012-00	PNL DOWNEL	2	
29	91314-08020-00	BOLT	2	
30	91314-08030-00	BOLT	3	
31	4XV-15441-00-00	HOLDER, CLUTCH CABLE	1	
32	4XV-15113-00-00	PLATE	1	
33	90110-06136-00	BOLT, HEXAGON SOCKET HEAD	1	

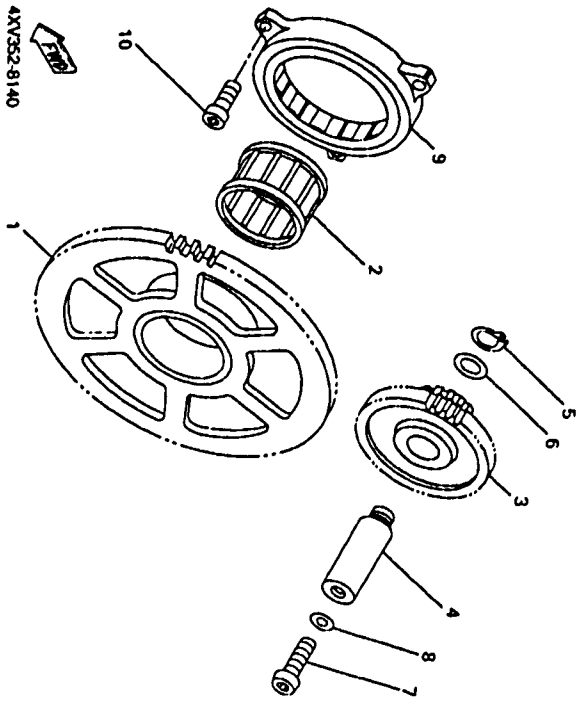


## CONTENTS

CAMSHAFT - CHAIN	A8
CLUTCH	B5-6
COUPLER	B7C-51
CONTAINER 1	E10-12
CONTAINER 2	B8
CRANKCASE COVER 1	B9-10
CRANKSHAFT - FRONT CYLINDER	A6
ELECTRICAL 1	A5
ELECTRICAL 2	F8-9
EXHAUST	F10-11
FLASHER	B7
FLASHER LIGHT	C5-9
FRONT BRAKE CALIPER	C6-7
FRONT FORK	D6
FRONT MASTER CYLINDER	D3-4
FRONT WHEEL	E2-3
FUEL TANK	D8
GENERATOR	D5-8
HANDLE SWITCH - LEVER	F1
HEADLIGHT	F7
HEADLIGHT MOUNTING	F5
METER	F4
METER	F6
ON-CLEANER	B4
ON-STAMP	B2
PALMATOR - HOSE	A12-20
REAR LED	C11-12
REAR BRAKE CALIPER	D12
REAR MASTER CYLINDER	E7-8
REAR SUSPENSION	D1
SEAT	D10-11
SHIRT CARM. FORK	D7
SHIRT SHIRT	D4
SIRE COVER	C10
STAND - FOOTREST	E4-6
STARTER	B11
STEERING MOTOR	F2
STEERING HANDLE - CABLE	E1
TAILLIGHT	E1
TRANSMISSION VALVE	C2-3
VALVE	A7-8
WATER PUMP	A10-11

# STARTER

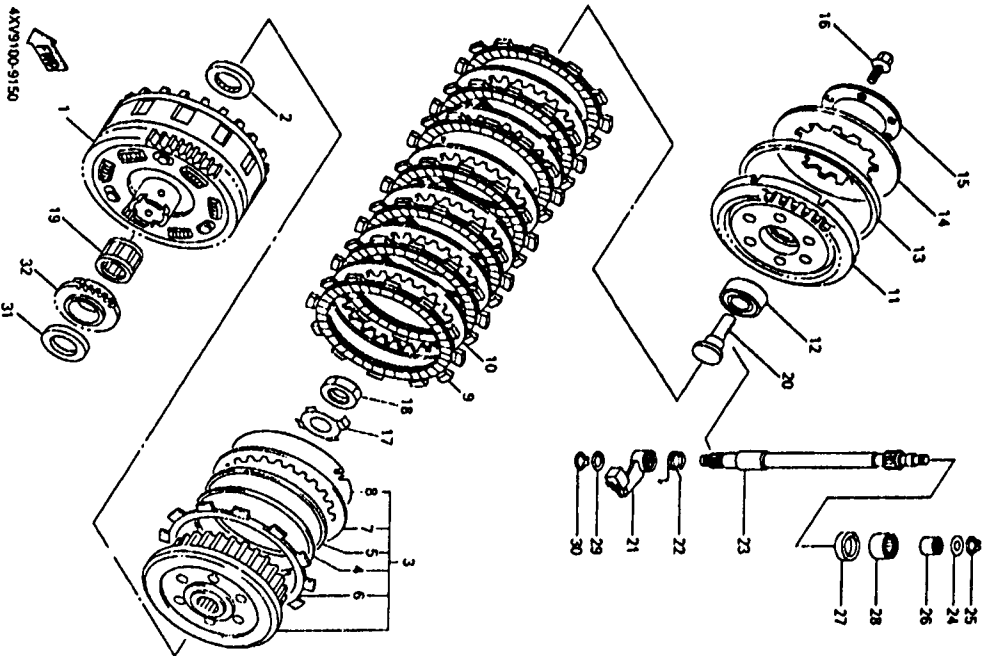
Part No.	Part Number	Description	Qty	Remarks
1	4XV-15515-00-00	GEAR 3	1	
2	90310-33856-00	BEARING	1	
3	4XV-15517-00-00	GEAR, IDLER 2	1	
4	4XV-15521-00-00	SHAFT 1	1	
5	50A10-08072-00	CRCLIP	1	
6	90201-08089-00	WASHER, PLATE	1	
7	92017-06014-00	BOLT, BUTTON HEAD	1	
8	90A30-06014-00	GASKET	1	
9	4XV-15570-00-00	STARTER CLUTCH ASSEMBLY	1	
10	91317-06010-00	BOLT	3	



# CONTENTS

Part No.	Description	Part No.
A9	CRANKSHAFT - CRAW	A9
B9-4	CAMBUCKET	B9-4
B12	CLUTCH	B12
C1	CONVING 1	C1
E9	CONVING 2	E9
E18-12	CRANKCASE COVER 2	E18-12
B8	CRANKCASE COVER 1	B8
B9-10	CRANKSHAFT - PISTON	B9-10
A6	CYLINDER	A6
A5	ELECTRICAL 1	A5
F8-9	ELECTRICAL 2	F8-9
F18-11	EXHAUST	F18-11
C9-9	FLASHER LIGHT	C9-9
F3	FLASHER LIGHT	F3
C9-7	FRAME	C9-7
D9	FRONT BRAKE CALIPER	D9
D9-4	FRONT FOWL	D9-4
E3-3	FRONT MASTER CYLINDER	E3-3
D8	FRONT WHEEL	D8
D9-6	FUEL TANK	D9-6
F1	GENERATOR	F1
F7	HANDLE SWITCH - LEVER	F7
F3	HEADLIGHT	F3
F5	HEADLIGHT	F5
B4	METER	B4
F4	METER	F4
B9	OIL CLEANER	B9
B2	OIL PUMP	B2
A12	RADIATOR - NOSE	A12
C11-12	REAR AXLE	C11-12
D12	REAR BRAKE CALIPER	D12
E7-6	REAR MASTER CYLINDER	E7-6
D1	REAR SUSPENSION	D1
D16-11	REAR WHEEL	D16-11
D7	SEAT	D7
C4	SHIFT CABL - FORK	C4
C5	SHIFT SHAFT	C5
C10	SIDE COVER	C10
E4-6	STAND - FOOTREST	E4-6
B11	STARTER	B11
F2	STARTING MOTOR	F2
D2	STEERING HANDLE - CABLE	D2
E1	STEERING HANDLE - CABLE	E1
F6	TAILLIGHT	F6
C2-3	TRANSMISSION	C2-3
A7-8	VALVE	A7-8
A18-11	WATER PUMP	A18-11

# CLUTCH

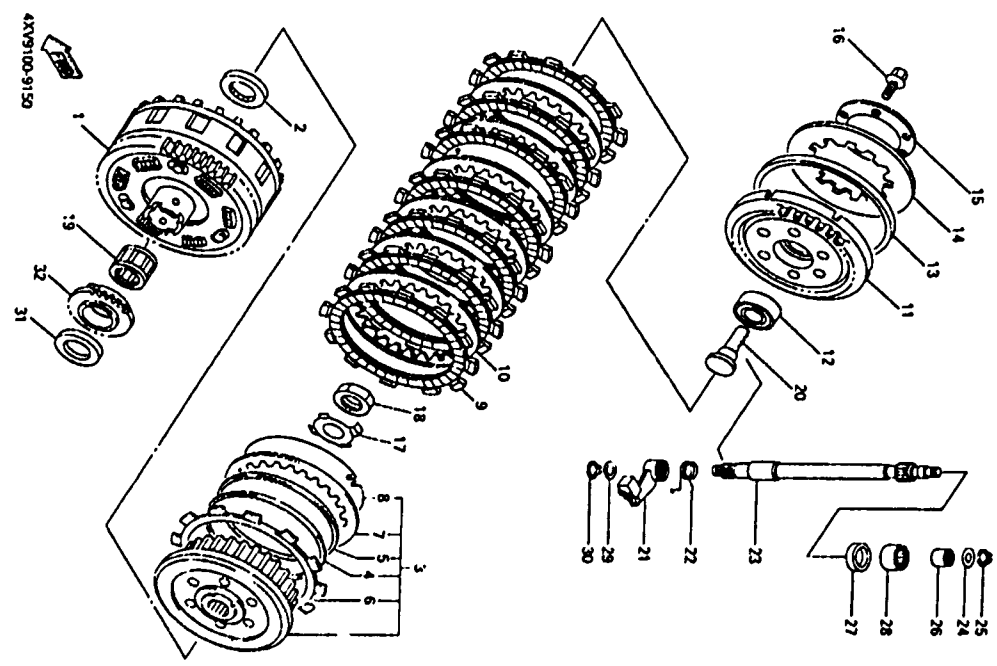


Part No.	Part Number	Description	Qty	Remarks
1	4XV-16150-02-00	PRIMARY DRIVEN GEAR COMP.	1	
2	26H-16154-00-00	PLATE THRUST 1	1	
3	4XV-16370-00-00	CLUTCH BOSS ASSEMBLY	1	
4	4XV-16394-00-00	PLATE SEAT	1	
5	36V-16383-00-00	SPRING, CLUTCH BOSS	1	
6	4XV-16331-00-00	PLATE FRICTION 2	1	
7	2H7-16325-00-00	PLATE CLUTCH 2	1	
8	2H7-16385-00-00	RING, CLUTCH BOSS	1	
9	341-16321-13-00	PLATE FRICTION 1	1	
10	2H7-16325-00-00	PLATE CLUTCH 2	1	
11	4XV-16331-00-00	PLATE PRESSURE 1	1	
12	93306-00304-00	BEARING (B9003C4)	1	
13	36V-16335-00-00	HOUSING, SPRING	1	
14	36V-16334-00-00	SPRING, CLUTCH 2	1	
15	17X-16332-00-00	PLATE PRESSURE 2	1	
16	96817-06025-00	BOLT, FLANGE	6	
17	90215-25218-00	WASHER, LOCK	1	
18	90170-20323-00	NUT	1	
19	93310-22835-00	BEARING	1	
20	4XV-16356-00-00	ROD, PUSH 1	1	
21	4XV-16340-00-00	PUSH LEVER ASSEMBLY	1	
22	90606-16482-20	SPRING, TORSION	1	
23	4XV-16382-00-00	AXLE, PUSH LEVER	1	
24	92907-08600-00	WASHER, PLATE	1	
25	99001-07600-00	CIRCLIP	1	
26	93317-11020-00	BEARING	1	
27	93102-15212-00	OIL SEAL	1	
28	93315-31502-00	BEARING	1	

CONTINUED ON NEXT FRAME >

## CONTENTS

Part No.	Part Name	Page
A9	CLUTCH - CHAIN	B5-4
B5-4	CLUTCH	B12 C1
B12 C1	CLUTCH	E3
E3	CLUTCH	E16-12
E16-12	CLUTCH	B6
B6	CLUTCH	B8-10
B8-10	CLUTCH	A4
A4	CLUTCH	A5
A5	CLUTCH	F9-11
F9-11	CLUTCH	B7
B7	CLUTCH	C4-9
C4-9	CLUTCH	F3
F3	CLUTCH	C6-7
C6-7	CLUTCH	D9
D9	CLUTCH	D3-4
D3-4	CLUTCH	E2-3
E2-3	CLUTCH	D6
D6	CLUTCH	D5-4
D5-4	CLUTCH	F7
F7	CLUTCH	F5
F5	CLUTCH	B4
B4	CLUTCH	F4
F4	CLUTCH	B2
B2	CLUTCH	A12 B1
A12 B1	CLUTCH	C1-12
C1-12	CLUTCH	D12
D12	CLUTCH	E2-4
E2-4	CLUTCH	D1
D1	CLUTCH	D9-11
D9-11	CLUTCH	D7
D7	CLUTCH	C4
C4	CLUTCH	C5
C5	CLUTCH	C10
C10	CLUTCH	E4-6
E4-6	CLUTCH	B11
B11	CLUTCH	D2
D2	CLUTCH	F4
F4	CLUTCH	C3-4
C3-4	CLUTCH	A7-8
A7-8	CLUTCH	A10-11



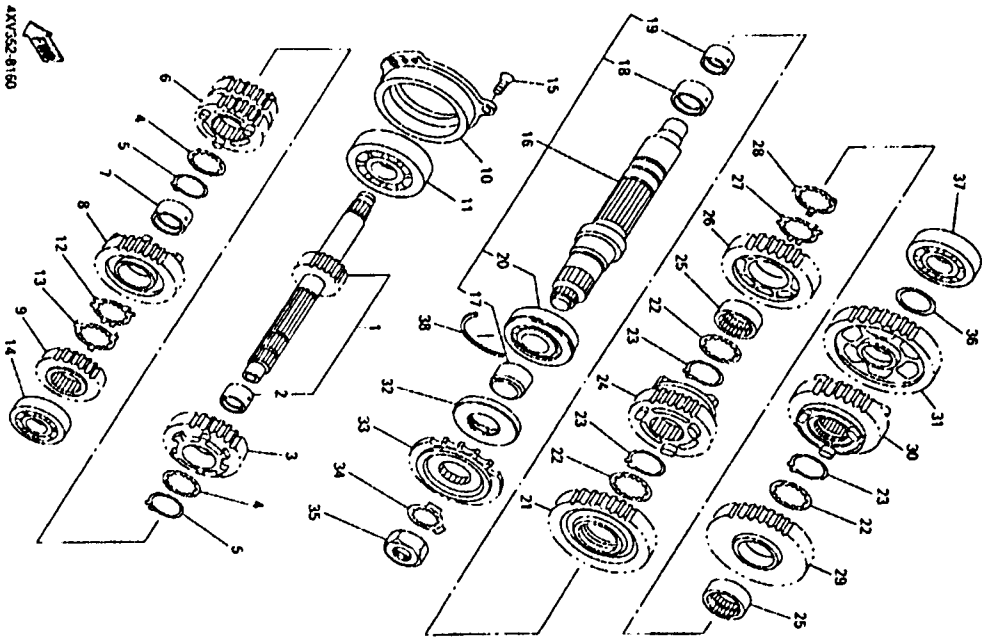
# CLUTCH

Part No.	Part Number	Description	Qty	Remarks
29	90201-10614-00	WASHER, PLATE	1	
30	99001-09600-00	CIRCLIP	1	
31	4XV-18154-00-00	PLATE, THRUST 1	1	
32	4XV-13554-00-00	SPROCKET, DRIVE	1	

## CONTENTS

A4	CAMSHAFT - CHAIN
B2-4	CARBURETOR
B12	CLUTCH
C1	CONNECTING ROD 1
E3	CONNECTING ROD 2
E10-12	CRANKCASE
B6	CRANKCASE COVER 1
B9-10	CRANKSHAFT - PISTON
A6	CYLINDER
A5	ELECTRICAL 1
F9-10	ELECTRICAL 2
F10-11	EXHAUST
B7	FENDER
C6-9	FLASHER LIGHT
F3	FRAME
D8	FRONT BRAKE CALIPER
D3-4	FRONT FORK
E2-3	FRONT MASTER CYLINDER
D6	FRONT WHEEL
D5-4	FUEL TANK
F7	GENERATOR
F5	HANDLE SWITCH - LEVER
F4	HEADLIGHT
B4	HEADLIGHT METER
F4	METER
B3	Oil CLEANER
B2	Oil PUMP
A12	RADIATOR - HOSE
C11-12	REAR AXLE
D12	REAR BRAKE CALIPER
E7-8	REAR MASTER CYLINDER
D1	REAR SUSPENSION
D10-11	REAR WHEEL
D7	SEAT
C4	SHIFT CAM - FORK
C3	SHIFT SHAFT
C5	SIDE COVER
C6-8	STAND - FOOTREST
B11	STARTER
F2	STARTING MOTOR
D2	STEERING HANDLE - CABLE
E1	TAILLIGHT
C2-3	TRANSMISSION
A7-8	VALVE
A10-11	WATER PUMP

# TRANSMISSION



Ref. No.	Part Number	Description	Qty	Remarks
1	4XV-W1741-00-00	MAIN AXLE ASSEMBLY	1	
2	90387-2811B-00	COLLAR	1	
3	4XV-17151-00-00	GEAR, 5TH PINION	1	
4	90209-25342-00	WASHER	1	
5	90440-28062-00	CRCLIP	2	
6	4XV-17131-00-00	GEAR, 3RD PINION	2	
7	90387-2810U-00	COLLAR	1	
8	4XV-17161-00-00	GEAR, 6TH PINION	1	
9	4XV-17121-00-00	GEAR, 2ND PINION	1	
10	4XV-15163-00-00	HOUSING, BEARING 1	1	
11	90306-37807-00	BEARING	1	
12	90209-25349-00	WASHER	1	
13	90209-25350-00	WASHER	1	
14	90306-27208-00	BEARING	1	
15	90149-06286-00	SCREW	3	
16	4XV-W1742-00-00	DRIVE AXLE ASSEMBLY	1	
17	90387-3011F-00	COLLAR	1	
18	90387-3311C-00	COLLAR	1	
19	90387-2511A-00	COLLAR	1	
20	90306-20705-00	BEARING (B6207N)	1	
21	4XV-17221-00-00	GEAR, 2ND WHEEL	1	
22	90209-30344-00	WASHER	3	
23	90440-32063-00	CRCLIP	3	
24	4XV-17261-00-00	GEAR, 6TH WHEEL	1	
25	90387-3310V-00	COLLAR	2	
26	4XV-17241-00-00	GEAR, 4TH WHEEL	1	
27	90209-30345-00	WASHER	1	
28	90209-30343-00	WASHER	1	
29	4XV-17231-00-00	GEAR, 3RD WHEEL	1	

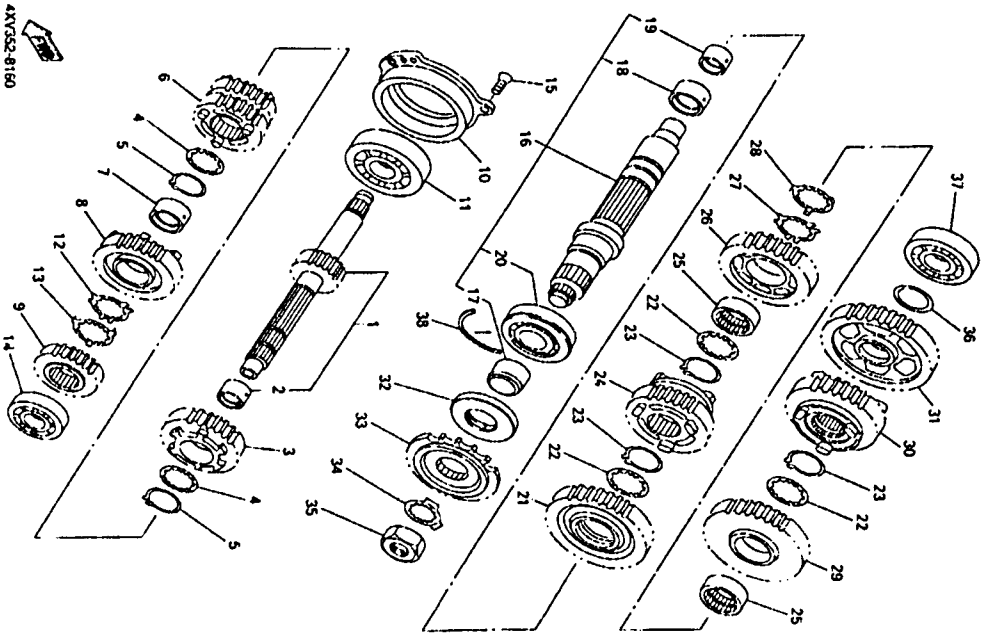
CONTINUED ON NEXT FRAME ▶

## CONTENTS

CAUSHAFT - CHAIN	A9
CARBURETOR	B4-4
CLUTCH	B12 C1
CONVING 1	E9
CONVING 2	E10-12
CRANKCASE	B6
CRANKCASE COVER 1	B8-10
CRANKSHAFT - PISTON	A4
CYLINDER	A5
ELECTRICAL 1	F8-9
ELECTRICAL 2	F9-11
EXHAUST	B7
FLASHER LIGHT	C4-9
FRAME	F3
FRONT BRAKE CALIPER	C6-7
FRONT FORK	D8
FRONT MASTER CYLINDER	D3-4
FRONT WHEEL	E3-3
FUEL TANK	D6
GENERAL	D5-6
HEADLIGHT	F1
HEADLIGHT - LEVER	F7
METER	F5
METER	B4
METER	B3
METER	B2
METER	A12 B1
METER	C11-12
METER	D12
METER	D1
METER	D11
METER	D10-11
METER	D7
METER	C4
METER	C5
METER	C18
METER	E4-6
METER	B11
METER	F2
METER	D2
METER	E1
METER	F6
METER	C3
METER	A7-8
METER	A10-11

# TRANSMISSION

Part Number	Description	Qty	Remarks
30	4XV-17281-00-00	1	GEAR, 5TH WHEEL
31	4XV-17211-00-00	1	GEAR, 1ST WHEEL
32	93102-45465-00	1	OIL SEAL
33	4XV-17460-00-00	1	SPROCKET, DRIVE
34	90215-30233-00	1	WASHER, LOCK
35	90179-22063-00	1	NUT
36	90201-22414-00	1	WASHER, PLATE
37	93306-37209-00	1	BEARING
38	93440-72049-00	1	CIRCLIP



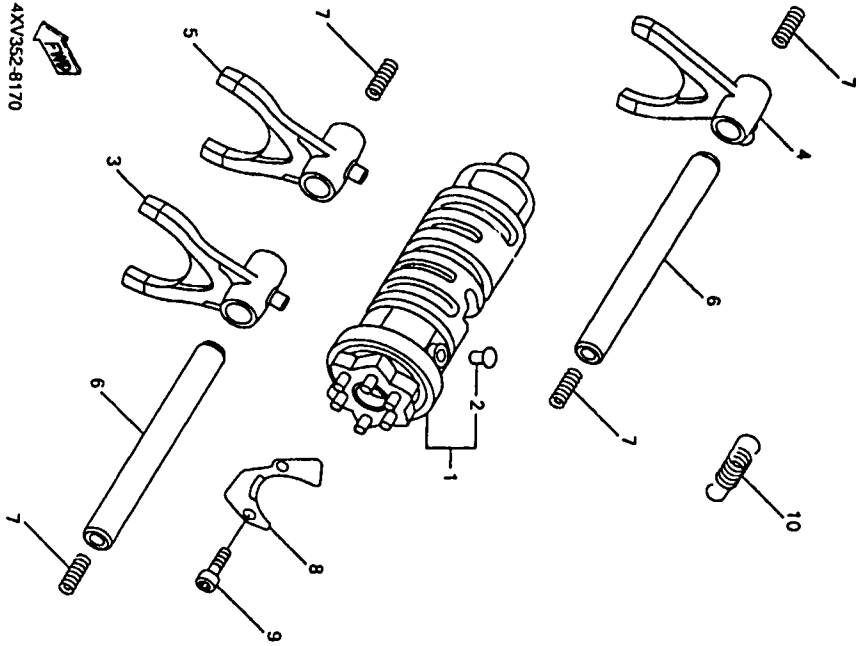
## CONTENTS

AS	CRANKSHAFT - CHAIN
85-4	CARBURETOR
B12-C1	CLUTCH
E9	CONVING 1
E10-12	CONVING 2
B6	CRANKCASE
B9-10	CRANKCASE COVER 1
A5	CRANKSHAFT - PISTON
A4	CYLINDER
FB-9	ELECTRICAL 1
F10-11	ELECTRICAL 2
B7	EXHAUST
C4-9	FENDER
F3	FLASHER LIGHT
C4-7	FRAME
D9	FRONT BRAKE CALIPER
D9-4	FRONT FORK
E3-3	FRONT MASTER CYLINDER
D8	FUEL TANK
D5-4	GENERATOR
F1	FUEL TANK
F7	HEADLIGHT
F3	HANDLE SWITCH - LEVER
B1	METER
F4	METER
B3	OIL CLEANER
A12-B1	RADIATOR - HOSE
C11-12	REAR AARM
D12	REAR BRAKE CALIPER
E7-8	REAR MASTER CYLINDER
D1	REAR SUSPENSION
D10-11	REAR WHEEL
D7	SEAT
C4	SHIFT CABLE - FORK
C3	SHIFT SHAFT
C10	SIDE COVER
E4-4	STAND - FOOTREST
B11	STARTER
F2	STARTING MOTOR
D2	STEERING HANDLE - CABLE
E1	TAILLIGHT
F6	TRANSMISSION
A7-4	VALVE
A10-11	WATER PUMP



# SHIFT CAM - FORK

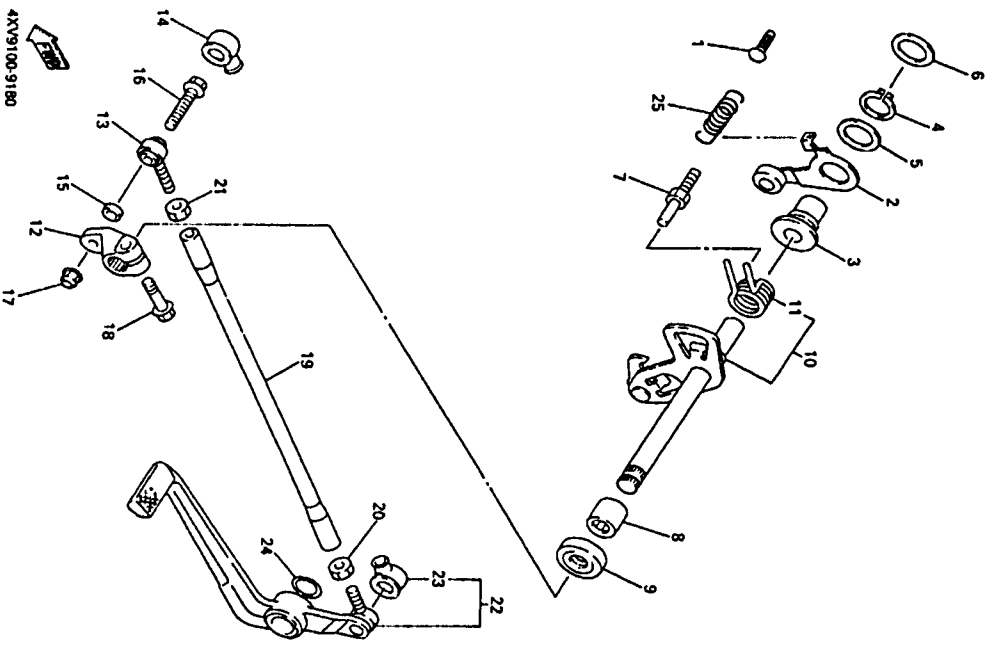
Ref. No.	Part Number	Description	Qty	Remarks
1	4XV-18540-00-00	SHIFT CAM ASSEMBLY	1	
2	136-18542-00-00	POINT, NEUTRAL	1	
3	4XV-18511-00-00	FORK, SHIFT 1	1	
4	4XV-18512-00-00	FORK, SHIFT 2	1	
5	4XV-18513-00-00	FORK, SHIFT 3	1	
6	4XV-18531-00-00	BAR, SHIFT FORK GUIDE 1	2	
7	90501-06411-00	SPRING, COMPRESSION	4	
8	4XV-18536-00-00	STOPPER, SHIFT BAR	1	
9	90110-06226-00	BOLT, HEXAGON SOCKET HEAD	2	



## CONTENTS

AS	CAUSHAFT - CHAIN
B5-4	CAMSHAFT
B13	CLUTCH
C1	CONVING 1
E3	CONVING 2
E16-12	CRANKCASE
B6	CRANKCASE COVER 1
B9-10	CRANKSHAFT - PISTON
A4	CYLINDER
A5	ELECTRICAL 1
F8-9	ELECTRICAL 2
F7	EXHAUST
B7	FLASHER
C4-9	FLASHER LIGHT
F3	FRAME
C6-7	FRONT BRAKE CALIPER
D6	FRONT FORK
D3-4	FRONT MASTER CYLINDER
E2-3	FRONT WHEEL
D8	FUEL TANK
D5-4	GENERATOR
F1	HANDLE SWITCH - LEVER
F7	HEADLIGHT
F5	HEADLIGHT
F3	METER
B4	METER
F4	METER
B3	METER
B2	METER
A13	ON, CLEANER
B1	ON, CLEANER
C11-12	RADIATOR - NOSE
D12	REAR ARM
E7-4	REAR BRAKE CALIPER
D1	REAR MASTER CYLINDER
D7	REAR SUSPENSION
D7	REAR WHEEL
D7	SEAT
C4	SHIFT CAM - FORK
C3	SHIFT SHAFT
C10	SIDE COVER
E4-4	STAND - FOOTREST
B11	STARTER
F2	STARTING MOTOR
D2	STEERING HANDLE - CABLE
E1	TALLLIGHT
C2-3	TRANSMISSION
A7-4	VALVE
A10-11	WATER PUMP

# SHIFT SHAFT

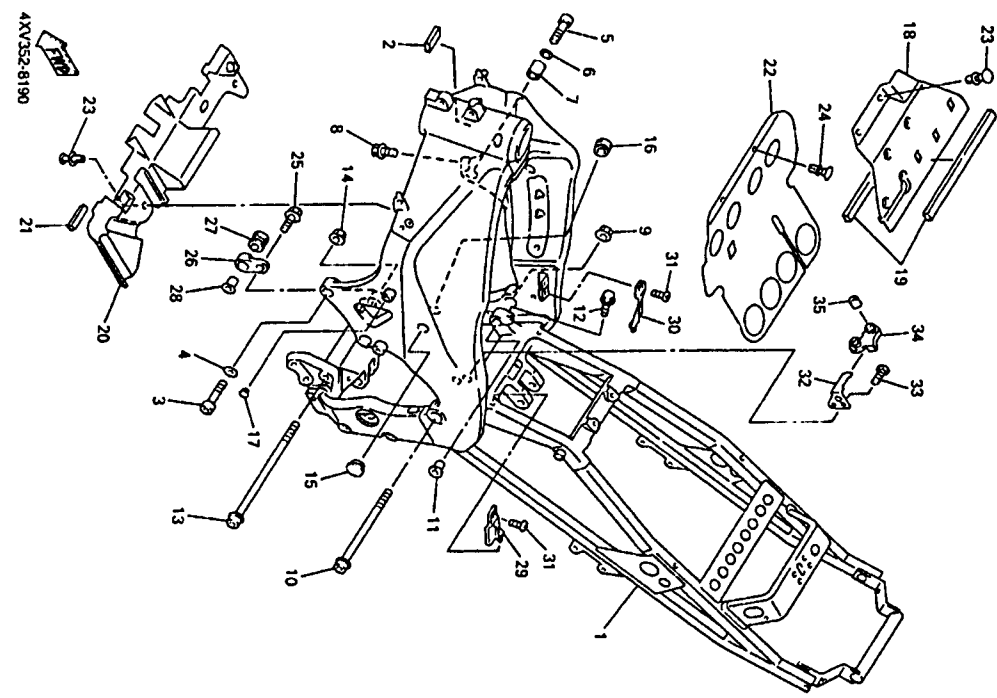


Ref. No.	Part Number	Description	Qty	Remarks
----------	-------------	-------------	-----	---------

1	132-16346-00-00	HOOK, SPRING	1	
2	4XV-18140-00-00	STOPPER LEVER ASSEMBLY	1	
3	90387-12793-00	COLLAR	1	
4	99009-17400-00	CIRCLIP	1	
5	90201-17764-00	WASHER, PLATE	1	
6	90201-154E8-00	WASHER, PLATE (1.0T)	1	
7	4XV-18127-00-00	STOPPER, SCREW	1	
8	93315-11206-00	BEARING	1	
9	93101-12004-00	OIL SEAL	1	
10	SEG-18101-00-00	SHIFT SHAFT ASSEMBLY	1	
11	90506-293B1-00	SPRING, TORSION	1	
12	SEG-18112-00-00	ARM, SHIFT	1	
13	3TC-18116-00-00	JOINT, ROD 1	1	
14	4XV-18154-00-00	COVER, DUST	1	
15	90387-09372-00	BOLT, FLANGE	1	
16	95024-06030-00	NUT, U FLANGE	1	
17	95804-06200-00	BOLT, FLANGE	1	
18	95824-06020-00	BOLT, FLANGE	1	
19	4XV-18115-00-00	ROD, SHIFT	1	
20	90170-06228-00	NUT (COUNTER CLOCKWISE)	1	
21	95304-06700-00	SHIFT PEDAL ASSEMBLY	1	
22	4XV-18110-10-00	COVER, DUST	1	
23	4XV-18154-00-00	WASHER, WAVE	1	
24	90206-17094-00	SPRING, TENSION	1	
25	90506-12516-00		1	

## CONTENTS

CAUSHAFT-CHAIN	A8
CARBURETOR	B5-6
CLUTCH	B12 C1
COUPLING 1	E10 E2
COUPLING 2	E10 E2
CRANKCASE COVER 1	B8 B9
CRANKCASE COVER 2	B8 B9
ELECTRICAL 1	A5
ELECTRICAL 2	F10-11
EXHAUST	B7
FLASHER LIGHT	C2-8
FLASHER LIGHT	F3
FRONT BRAKE CALIPER	OK-7
FRONT BRAKE CALIPER	OK-8
FRONT FORK	OK-4
FRONT MASTER CYLINDER	E3-3
FRONT WHEEL	OK-6
FUEL TANK	OK-4
GENERATOR	F1
HANDLE SWITCH - LEVER	F7
HEADLIGHT	F5
HEADLIGHT	F4
INTAKE	B4
METER	F2
OIL CLEANER	B3
OIL PUMP	B2
PULLEY	A12 B1
REAR AXLE	C11-12
REAR BRAKE CALIPER	OK-7
REAR MASTER CYLINDER	OK-2
REAR SUSPENSION	OK-1
REAR WHEEL	OK-1
SEAT	D10-11
SHIFT CAM - FORK	D7
SHIFT SHAFT	C4
SIDE COVER	C3
STARTER	C18
STARTER MOTOR	E4-4
STEERING HANDLE - CABLE	B11
TAILLIGHT	F2
TRANSMISSION	E1
VALVE	F8
WATER PUMP	C2-3
	A17-8
	A10-11



# FRAME

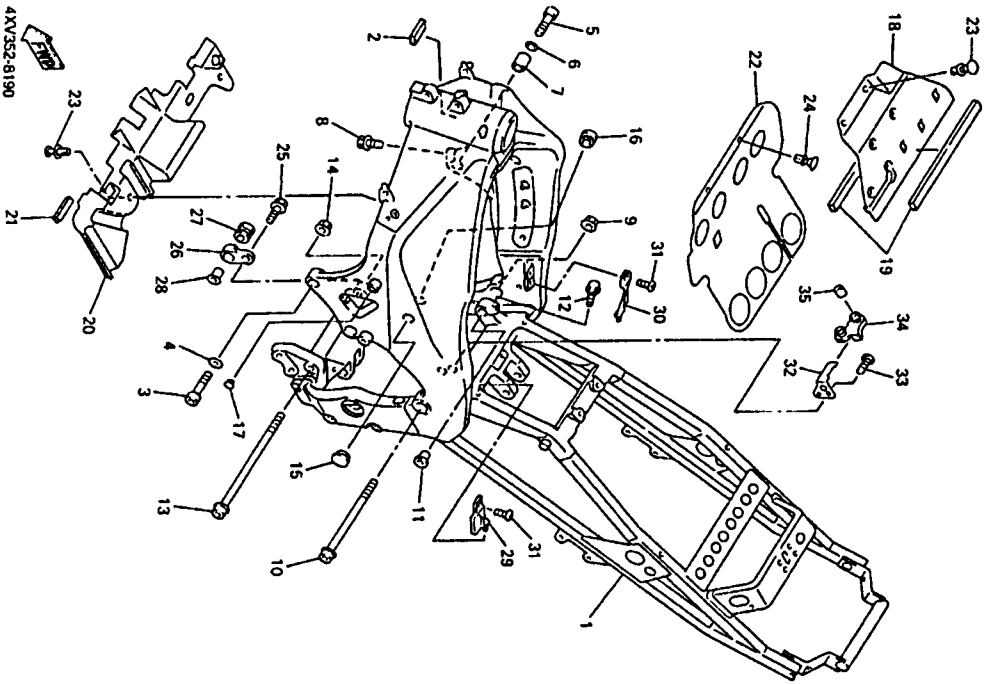
Ref. No.	Part Number	Description	Qty	Remarks
1	4XV-21110-00-00	FRAME COMP.	1	
2	1KT-21746-00-00	DAMPER	1	
3	91314-10040-00	BOLT	2	
4	92903-10600-00	WASHER, PLATE	2	
5	91314-12055-00	BOLT	1	
6	92907-12900-00	WASHER	1	
7	90387-1312P-00	COLLAR	1	
8	95027-08035-00	BOLT, FLANGE	1	
9	90185-10170-00	NUT, SELF-LOCKING	1	
10	90109-10465-00	BOLT	1	
11	90387-1112F-00	COLLAR	1	
12	95027-08035-00	BOLT, FLANGE	1	
13	90109-10465-00	BOLT	1	
14	90185-10170-00	NUT, SELF-LOCKING	1	
15	90398-15202-00	PLUG	2	
16	90398-18266-00	PLUG	1	
17	90398-07124-00	COVER 2	1	
18	4XV-21174-00-00	DAMPER	1	
19	4XV-28371-00-00	GUIDE, AIR	1	
20	4XV-21371-00-00	DAMPER	1	
21	1KT-21746-00-00	COVER	1	
22	4XV-2117F-00-00	RIVET	4	
23	90269-07077-00	RIVET	2	
24	90269-07084-00	BOLT, FLANGE	1	
25	95827-08025-00	STAY, MUFFLER 2	1	
26	4XV-21446-00-00	DAMPER, FOOTREST 2	1	
27	4XV-27424-00-00	COLLAR	1	
28	90387-082W9-00	COVER 3	1	
29	4XV-2117N-00-00		1	

CONTINUED ON NEXT FRAME >

# CONTENTS

A8	CARSHAFT - CHAIN
B5-4	CARBURETOR
B12 C1	CLUTCH
E9	COWLING 1
E10-12	COWLING 2
B8	CRANKCASE
B9-10	CRANKCASE COVER 1
A4	CRANKSHAFT - FRONT
A5	CYLINDER
F8-9	ELECTRICAL 1
B7	ELECTRICAL 2
C8-9	EXHAUST
F3	FLASHER LIGHT
C6-7	FRAME
D9	FRONT BRAKE CALIPER
D3-4	FRONT FORK
E2-3	FRONT MASTER CYLINDER
D8	FRONT WHEEL
D5-6	FUEL TANK
F1	GENERATOR
F7	HANDLE SWITCH - LEVER
F5	HEADLIGHT
B4	METER
F4	METER
B3	OK, CLEANER
B2	OK, PUMP
A12, B1	RADIATOR - HOSE
C11-12	REAR ARM
D12	REAR BRAKE CALIPER
E7-8	REAR MASTER CYLINDER
D1	REAR SUSPENSION
D10-11	REAR WHEEL
D7	SEAT
C4	SHIFT CAM - FORK
C5	SHIFT SHAFT
C10	SIDE COVER
E4-6	STARTER
B11	STARTER - FOOTREST
F2	STARTING MOTOR
D2	STEERING MOTOR
E1	STEERING HANDLE - CABLE
C3-3	TRANSMISSION
A7-8	VALVE
A10-11	WATER PUMP

# FRAME

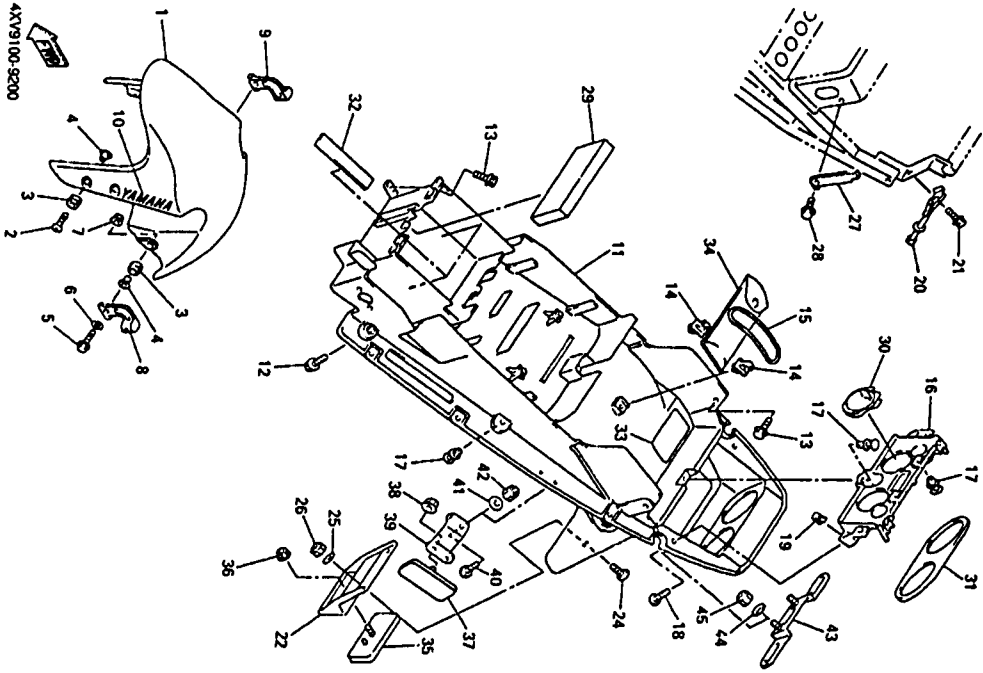


Ref. No.	Part Number	Description	Qty	Remarks
30	4XV-2117R-00-00	COVER 4	1	
31	90154-05013-00	SCREW, BINDING	2	
32	4XV-2116J-00-00	BRACKET 7	1	
33	98907-06016-00	SCREW, BIND	2	
34	4XV-2116A-00-00	STAY 1	1	
35	90387-061K3-00	COLLAR	2	

# CONTENTS

48	CAMSHAFT - CHAIN
B5-4	CARBURETOR
B12 C1	CLUTCH
E9	COVERING 1
E10-12	COVERING 2
B6	CRANKCASE COVER 1
B9-10	CRANKCASE COVER 2
M	CRANKSHAFT - PISTON
M	CRANKSHAFT - PISTON
A5	ELECTRICAL 1
R9-9	ELECTRICAL 2
F19-11	EXHAUST
37	EXHAUST
CP-9	FLASHER LIGHT
F3	FLASHER LIGHT
OC-7	FRAME
DB	FRONT BRAKE CALIPER
DB-4	FRONT FORK
E2-3	FRONT MASTER CYLINDER
DB	FRONT WHEEL
DB-4	FUEL TANK
DB-4	GENERATOR
F1	HANDLE SWITCH - LEVER
F7	HEADLIGHT
F5	METER
B4	METER
F4	METER
B2	OIL CLEANER
B2	OIL PUMP
A12 B1	RADIATOR - NOSE
CT-12	REAR AXLE
D12	REAR BRAKE CALIPER
E7-8	REAR MASTER CYLINDER
D1	REAR SUSPENSION
D19-11	REAR WHEEL
D7	SEAT
D7	SHIRT CLAM - FORK
C4	SHIRT SHAFT
C6	SHIRT SHAFT
C10	SIDE COVER
E4-4	STAND - FOOTREST
B11	STARTER
F2	STARTING MOTOR
D2	STEERING HANDLE - CABLE
E1	TAIL LIGHT
R4	TRANSMISSION
C2-3	VALVE
A7-4	VALVE
A10-11	WATER PUMP

The colors indicated are for 99 model paint scheme only.



# FENDER

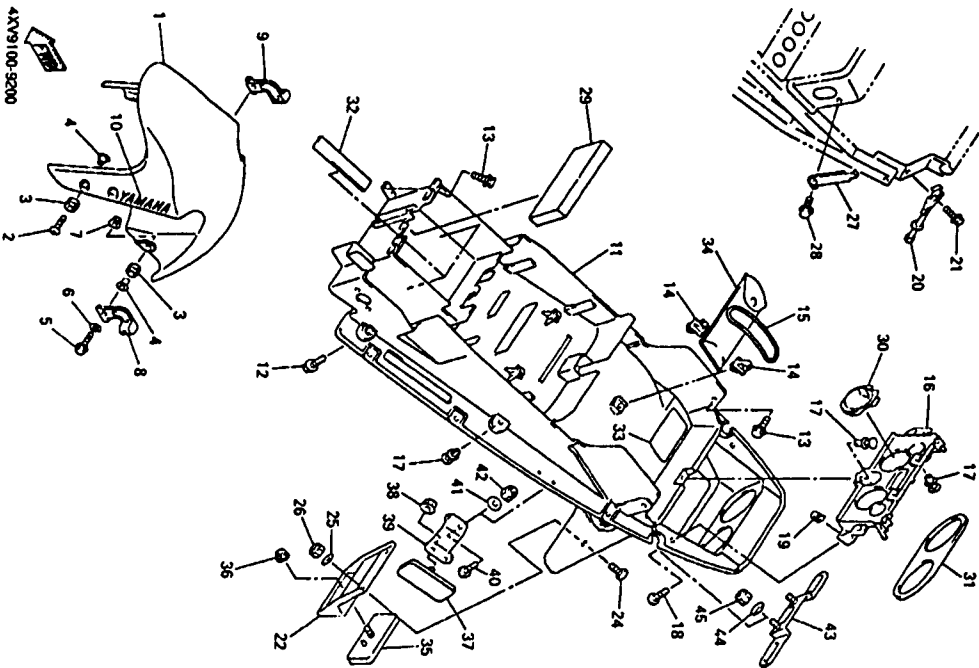
No.	Part Number	Description	Qty	Remarks
1	4XV-21511-00-P0	FENDER, FRONT	1	VRCl
2	4XV-21511-00-P1	FENDER, FRONT	1	DPBMC
3	90154-08061-00	SCREW, BINDING	4	
4	90480-12072-00	GROMMET	6	
5	90387-06536-00	COLLAR	6	
6	97007-06030-00	BOLT	2	
7	92907-06600-00	WASHER, PLATE	2	
8	95707-06500-00	NUT, FLANGE	2	
9	4XV-25875-00-00	HOLDER, BRAKE HOSE 1	1	
10	4XV-25876-00-00	HOLDER, BRAKE HOSE 2	1	
11	98231-00100-00	EMBLEM, YAMAHA	2	
12	4XV-21611-00-00	FENDER, REAR	1	
13	90119-06096-00	BOLT, WITH WASHER	2	
14	90464-07239-00	CLAMP	2	
15	4XV-21376-00-00	BAND, TOOL	1	
16	4XV-2117E-00-00	BRACKET, TAILLIGHT	1	
17	90269-07077-00	RIVET	5	
18	90154-05013-00	SCREW, BINDING	2	
19	90183-05061-00	NUT, SPRING	2	
20	4XV-21654-00-00	WIRE	2	
21	90105-053A3-00	BOLT, WASHER BASED	2	
22	4XV-46132-00-00	BRACKET, REFLECTOR 1	1	
23	90149-04278-00	SCREW	2	
24	90201-04018-00	WASHER, PLATE	2	
25	95607-04100-00	NUT, U	2	
26	4XV-21396-00-00	HANGER, HELMET	1	
27	95907-06016-00	BOLT, FLANGE	1	
28	4XV-21639-00-00	DAMPER 2	1	

CONTINUED ON NEXT FRAME >

# CONTENTS

49	CAUSHAFT - CHAIN	A9
50	CLUTCH	B12
51	COVERING 1	E1
52	COVERING 2	E16-12
53	CRANKCASE COVER 1	B6
54	CRANKSHAFT - INST	B3-10
55	CYLINDER	A5
56	ELECTRICAL 1	F4-9
57	ELECTRICAL 2	F16-11
58	EXHAUST	B7
59	FLASHER LIGHT	C4-9
60	FLAME	F3
61	FRONT BRAKE CALIPER	C6-7
62	FRONT FORK	D6
63	FRONT MASTER CYLINDER	D3-3
64	FRONT WHEEL	E3-3
65	FUEL TANK	D6
66	GENERATOR	D6-5
67	HANDLE SWITCH - LEVER	F1
68	HEADLIGHT	F7
69	METER	F5
70	METER	B4
71	METER	B3
72	METER	B2
73	METER	A12
74	METER	B1
75	METER	CT-12
76	METER	D12
77	METER	E7-4
78	METER	D1
79	METER	D16-11
80	METER	D7
81	METER	C4
82	METER	C3
83	METER	C18
84	METER	E4-6
85	METER	B11
86	METER	F2
87	METER	D2
88	METER	E1
89	METER	C3
90	METER	A7-4
91	METER	A9-11

# FENDER

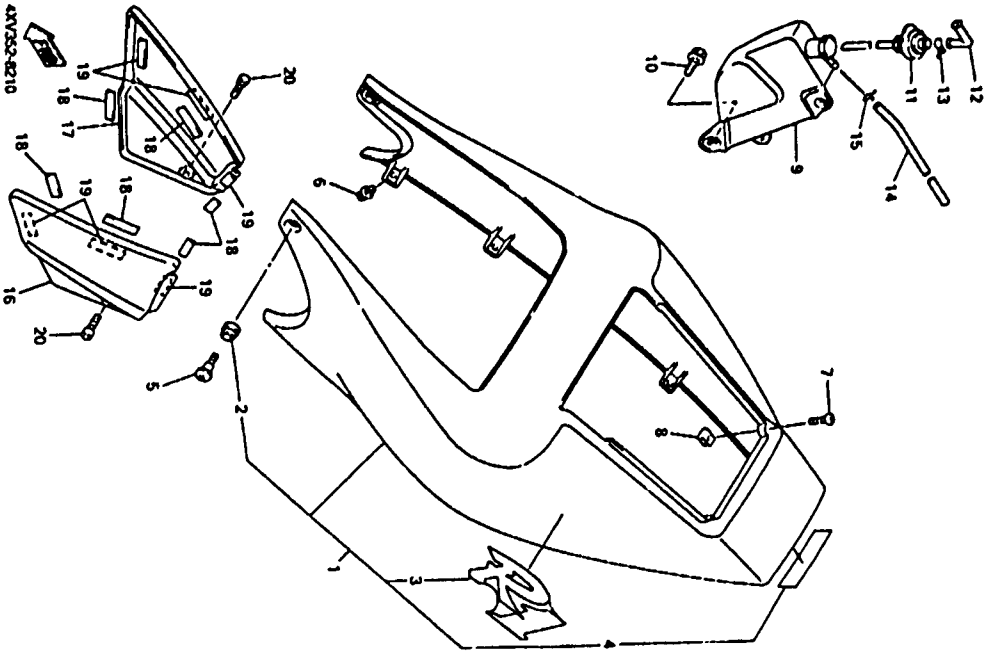


Ref. No.	Part Number	Description	Qty	Remarks
29	4XV-2172X-00-00	COVER, TAILLIGHT	2	
30	4XV-21689-00-00	SEAL	1	
31	1AE-2834E-00-00	DAMPER	1	
32	4XV-2179V-10-00	PLATE, EPA 1 (NON CALIFORNIA)	2	
33	4XV-2179R-10-00	PLATE, EPA 2 (CALIFORNIA)	1	
34	4XV-28100-00-00	TOOL KIT	1	
35	3Y6-65130-02-00	REAR REFLECTOR ASSEMBLY	1	
36	95707-05500-00	NUT, FLANGE	1	
37	3Y6-65130-02-00	REAR REFLECTOR ASSEMBLY	1	
38	95707-05500-00	NUT, FLANGE	2	
39	4XV-21688-00-00	BRACKET, REAR STAY	2	
40	90149-04278-00	SCREW	2	
41	90201-04018-00	WASHER, PLATE	2	
42	95607-04100-00	NUT, U	2	
43	4XV-84751-00-00	BRACKET, LICENSE	1	
44	90201-05380-00	WASHER, PLATE	2	
45	95607-06100-00	NUT, U	2	

## CONTENTS

Part Name	Ref. No.
CARBURETOR	A9
CLUTCH	B5-4
COMBING 1	B12, C1
COMBING 2	E10-12
CRANKCASE COVER 1	B8
CRANKCASE COVER 2	B9-10
CRANKSHAFT - PISTON	A4
CYLINDER	A5
ELECTRICAL 1	F8-9
ELECTRICAL 2	F10-11
EXHAUST	B7
FENDER	C9-9
FLASHER LIGHT	B7
FRAME	C6-7
FRONT BRAKE CALIPER	D9
FRONT FORK	D0-4
FRONT MASTER CYLINDER	E2-3
FRONT WHEEL	D4
FUEL TANK	D5-6
GENERATOR	F7
HANDLE SWITCH - LEVER	F5
HEADLIGHT	F1
HEADLIGHT METER	F4
METER	B3
OH, CLEANER	B2
RADIATOR - HOSE	A12, B1
REAR AXLE	C11-12
REAR BRAKE CALIPER	D12
REAR MASTER CYLINDER	E7-8
REAR SUSPENSION	D1
REAR WHEEL	D10-11
SEAT	D7
SHIFT CAM - FORK	C4
SHIFT SHAFT	C5
SIDE COVER	C10
STAND - FOOTREST	E4-6
STARTER	B11
STARTING MOTOR	F2
STEERING HANDLE - CABLE	D2
TAILLIGHT	E1
TRANSMISSION VALVE	C3-3
WATER PUMP	A7-8
	A10-11

The colors indicated are for 99 model paint scheme only.



## SIDE COVER

Part No.	Part Number	Description	Qty	Remarks
1	4XV-Y2171-10-P1	COVER, SIDE 1	1	UR DPBMC
2	4XV-Y2171-70-F0	COVER, SIDE 1	1	UR BWC1
3	90480-13398-00	GROMMET	2	
4	4XV-21781-10-00	EMBLEM 1	2	UR FOR DPBMC
5	4XV-21781-20-00	EMBLEM 1	2	UR FOR BWC1
6	98231-00080-00	EMBLEM, YAMAHA	1	UR FOR DPBMC
7	98234-00080-00	EMBLEM, YAMAHA	1	UR FOR BWC1
8	90150-08006-00	SCREW, ROUND HEAD	2	
9	90269-07077-00	RIVET	6	
10	90154-05059-00	SCREW, BINDING	2	
11	90183-05061-00	NUT, SPRING	2	
12	4XV-21871-00-00	TANK, RECOVERY	1	
13	90119-06117-00	BOLT, WITH WASHER	2	
14	4XV-21875-00-00	CAP	1	
15	284-21828-00-00	ELBOW	1	
16	90467-11019-00	CLIP	1	
17	90445-08616-00	HOSE	1	
18	90467-08003-00	CLIP	1	
19	4XV-24128-10-00	COVER, SIDE 1	1	
20	4XV-24128-10-00	COVER, SIDE 2	1	
21	4XV-24116-00-00	HOOK, SIDE COVER	6	
22	4XV-24111H-00-00	HOOK, SIDE COVER 2	6	
23	90110-06201-00	BOLT, HEXAGON SOCKET HEAD	2	

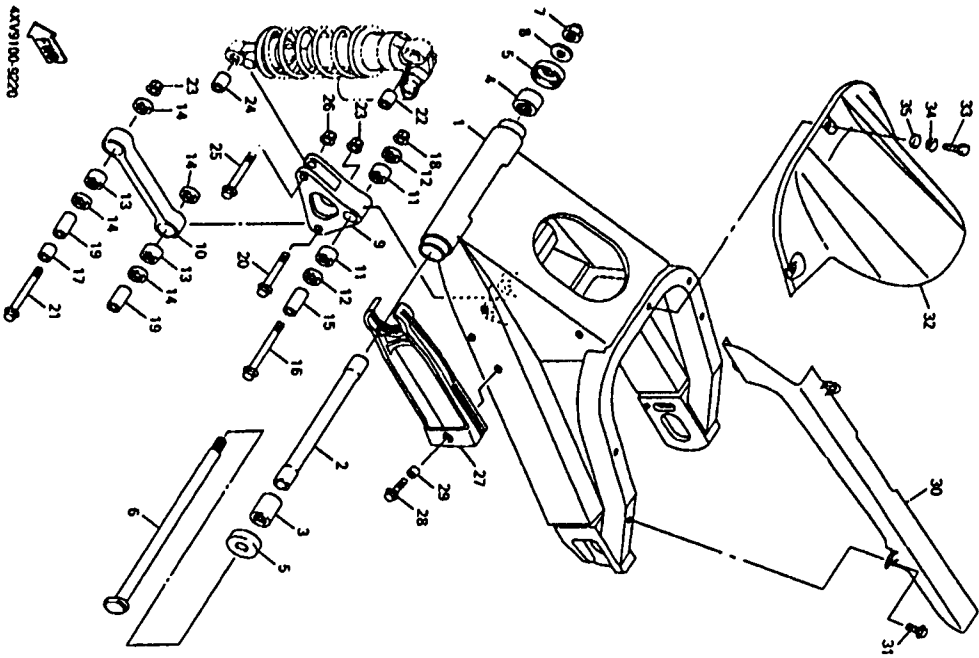
## CONTENTS

Part No.	Part Name
A9	CARSHAFT - CHAIN
B5-4	CARBURETOR
B12, C1	CLUTCH
E9	COMING 1
E16-12	COMING 2
B6	CRANKCASE COVER 1
B6-10	CRANKCASE COVER 2
A4	CRANKSHAFT - INSTON
A5	CYLINDER
F8-9	ELECTRICAL 1
F8-11	ELECTRICAL 2
B7	EXHAUST
C8-9	FLASHER
F3	FLASHER LIGHT
C6-7	FRAME
D6	FRONT BRAKE CALIPER
D3-4	FRONT FORK
E3-5	FRONT MASTER CYLINDER
D8	FRONT WHEEL
D6-4	FUEL TANK
F1	GENERATOR
F7	HEADLIGHT
F5	HEADLIGHT SWITCH - LEVER
F4	METER
B4	METER
B3	OK, CLEARER
B2	OK, PUMP
A12, B1	RADIATOR - HOSE
C11-12	REAR ARM
D12	REAR BRAKE CALIPER
E7-8	REAR MASTER CYLINDER
D1	REAR SUSPENSION
D10-11	REAR WHEEL
D7	SEAT
C4	SHIRT CAM - FORK
C5	SHIRT SHAFT
C18	SIDE COVER
E4-6	STAND - FOOTREST
B11	STARTER
B1	STARTING MOTION
D2	STEERING
E1	STEERING HANDLE - CABLE
F5	TALLIGHT
C2-3	TRANSMISSION
A7-9	VALVE
A10-11	WATER PUMP

C10

YZ971L

# REAR ARM



No.	Part Number	Description	Qty	Remarks
1	4XV-22110-00-00	REAR ARM COMP.	1	
2	4XV-22184-00-00	BUSH	1	
3	9C315-42323-00	BEARING	1	
4	9C315-42326-00	BEARING	1	
5	3FV-22128-00-00	COVER, THRUST 1	2	
6	4FN-22141-00-00	SHAFT, PIVOT	1	
7	90185-18104-00	NUT, SELF-LOCKING	1	
8	9C201-18684-00	WASHER, PLATE	1	
9	4XV-2217A-00-00	ARNL RELAY	1	
10	4XV-2217M-00-00	ARNL 1	1	
11	9C315-31758-00	BEARING	2	
12	93109-17071-00	OIL SEAL	2	
13	9C315-31758-00	BEARING	2	
14	93109-17071-00	OIL SEAL	4	
15	9C387-10128-00	COLLAR	1	
16	90105-10727-00	BOLT, WASHER BASED	1	
17	9C387-1013U-00	COLLAR	1	
18	95607-10200-00	NUT, SELF-LOCKING	1	
19	9C387-1012A-00	COLLAR	2	
20	90105-10402-00	BOLT, WASHER BASED	1	
21	90105-10376-00	BOLT, WASHER BASED	1	
22	9C387-1013U-00	COLLAR	1	
23	95607-10200-00	NUT, SELF-LOCKING	2	
24	9C387-1012A-00	COLLAR	1	
25	90105-10402-00	BOLT, WASHER BASED	1	
26	95607-10200-00	NUT, SELF-LOCKING	1	
27	4XV-22151-00-00	SEAL, GUARD	1	
28	90119-06096-00	BOLT, WITH WASHER	1	
29	9C387-06372-00	COLLAR	1	

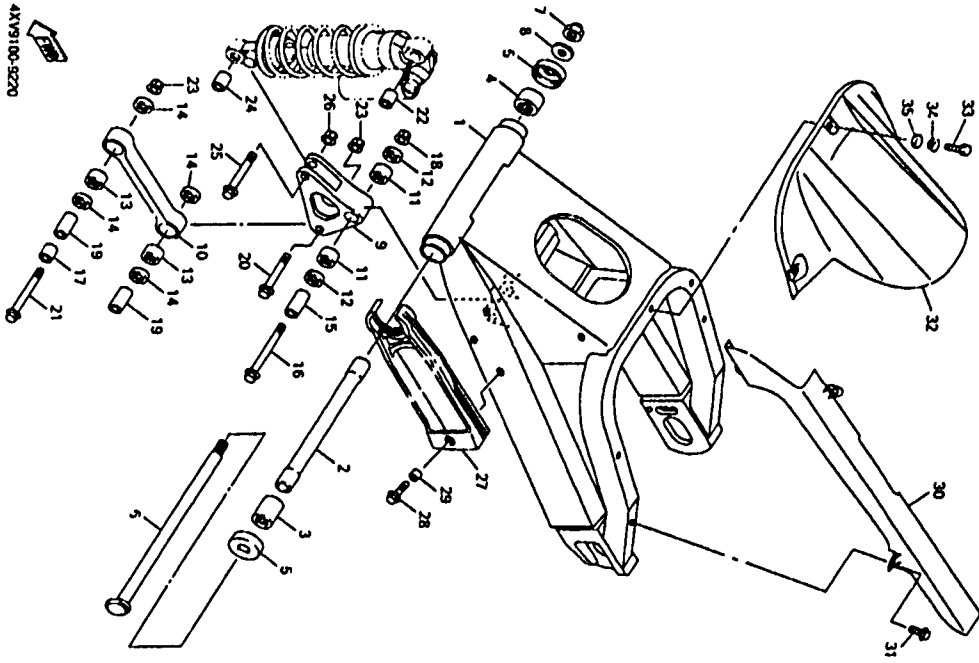
CONTINUED ON NEXT FRAME >

## CONTENTS

Part Number	Description	Page
4179100-9220	CAMSHAFT - CYAM	A9
	CAMRETOR	B6-6
	CLUTCH	B12 C1
	COVERING 1	E9
	COVERING 2	E16-12
	CRANKCASE	B8
	CRANKCASE COVER 1	B5-10
	CRANKSHAFT - PISTON	A4
	CYLINDER	A5
	ELECTRICAL 1	F8-9
	ELECTRICAL 2	F16-11
	EXHAUST	C7-9
	FLASHER	B7
	FLASHER LIGHT	F3
	FRAME	C6-7
	FRONT BRAKE CALIPER	D9
	FRONT FORK	D0-4
	FRONT MASTER CYLINDER	E2-3
	FRONT WHEEL	D8
	FUEL TANK	D6-5
	GENERATOR	F1
	HANDLE SWITCH - LEVER	F7
	HEADLIGHT	F5
	HEADLAMP	B4
	METER	F4
	OIL CLEANER	B3
	OIL RADIATOR	B2
	RADIATOR - NOSE	A12 B1
	REAR ARM	C11-12
	REAR BRAKE CALIPER	D12
	REAR MASTER CYLINDER	E7-8
	REAR SUSPENSION	D1
	REAR WHEEL	D10-11
	SEAT	D7
	SMART CAM - FORK	C4
	SMART SHAFT	C5
	SIDE COVER	C10
	STAND - FOOTREST	E4-6
	STARTER	B11
	STEERING MOTOR	D2
	STEERING HANDLE - CABLE	D2
	TAILLIGHT	E1
	TRANSMISSION	F8
	VALVE	C2-3
	WATER PUMP	A10-11



The colors indicated are for 99 model paint scheme only.



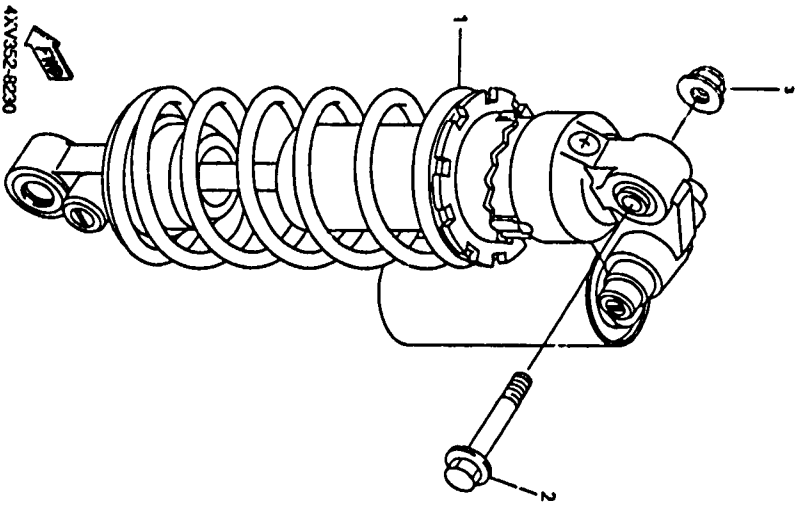
## REAR ARM

Part Number	Description	Qty	Remarks
30 4XV-22311-00-00	CASE, CHAIN	1	
31 90119-06052-00	BOLT, WITH WASHER	3	
32 4XV-21650-01-P0	REAR FENDER COMP.	1	VR1C1
4XV-21650-01-P1	REAR FENDER COMP.	1	DPBMC
33 97007-08016-00	BOLT	3	
34 90387-06151-00	COLLAR	3	
35 4XV-28372-00-00	DAWNER	3	

## CONTENTS

Case/Part - Chain	A9
Chain/retion	B5-6
Clutch	B12, C1
Counting 1	E9
Counting 2	E10-12
Crankcase	B8
Crankcase cover 1	B5-10
Crankshaft - piston	A6
Cylinder	A5
Electrical 1	F8-9
Electrical 2	F8-11
Exhaust	B7
Fender	C6-9
Flasher light	F3
Frame brake caliper	D6
Front fork	D2-4
Front master cylinder	E2-3
Front wheel	D8
Fuel tank	D6-8
Generator	F1
Handle switch - lever	F7
Headlight	F5
Intake	B4
Meter	F4
Oil cleaner	B3
Oil pump	A12, B1
Radiator - hose	C11-12
Rear arm	D12
Rear brake caliper	E7-8
Rear master cylinder	D1
Rear suspension	D10-11
Seat	D7
Shift cam - fork	C4
Shift shaft	C3
Side cover	C10
Stand - footrest	E4-6
Starting motor	B11
Steering handle - cable	D2
Tail light	E1
Transmission	C2-3
Valve	A7-8
Water pump	A10-11

# REAR SUSPENSION

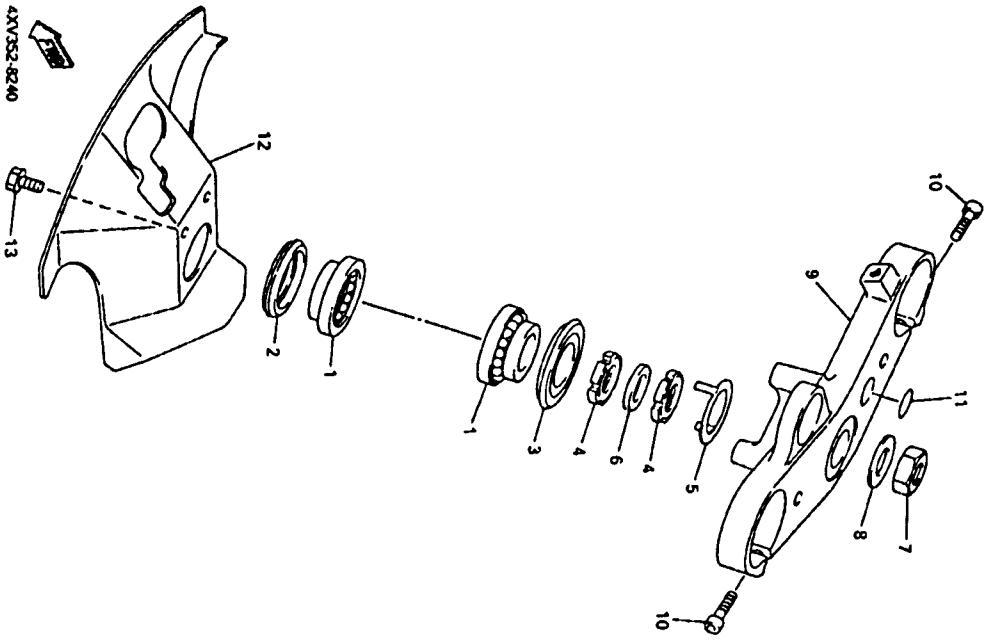


Part No.	Part Number	Description	Qty	Remarks
1	41V-22210-10-00	SHOCK ABSORBER ASSEMBLY, REAR	1	
2	90105-10376-00	BOLT, WASHER BASED	1	
3	95607-10200-00	NUT, SELF-LOCKING	1	

## CONTENTS

CAMSHAFT - CHAIN	A9
CLUTCH	B4-4
CLUTCH	B12 C1
COVERING 1	E1
COVERING 2	E16-12
CRANKCASE COVER 1	B8-16
CRANKSHAFT - PISTON	A4
CYLINDER	A4
ELECTRICAL 1	F4-4
ELECTRICAL 2	F4-11
EXHAUST	B7
FENDER	C4-9
FLASHER LIGHT	C7
FRAME	OC-2
FRONT BRAKE CALIPER	OC-2
FRONT FORK	DB-4
FRONT MASTER CYLINDER	E3-3
FRONT WHEEL	E3-2
FUEL TANK	DA-4
GENERATOR	F7
HANDLE SWITCH - LEVER	F7
HEADLIGHT	F7
INTAKE	F2
METOP	B4
MTAGE	B4
OIL CL. BR	B4
OIL PUMP	B4
RADIATOR - NOSE	A12 B8
REAR ARM	CT-1-15
REAR BRAKE CALIPER	DV-2
REAR MASTER CYLINDER	DV-2
REAR SUSPENSION	E7-9
REAR WHEEL	DA-4
SEAT	DA-11
SEAT CARI - FORK	C4
SHORT SHAFT	C4
SIDE COVER	C4-9
STAND - FOOTREST	E4-4
STARTER	B7-1
STARTING MOTOR	F2
STEERING	F2
STEERING HANDLE - CABLE	E1
TAILLIGHT	E1
TRANSMISSION	CA-3
VALVE	A7-4
WATER PUMP	A9-11

# STEERING

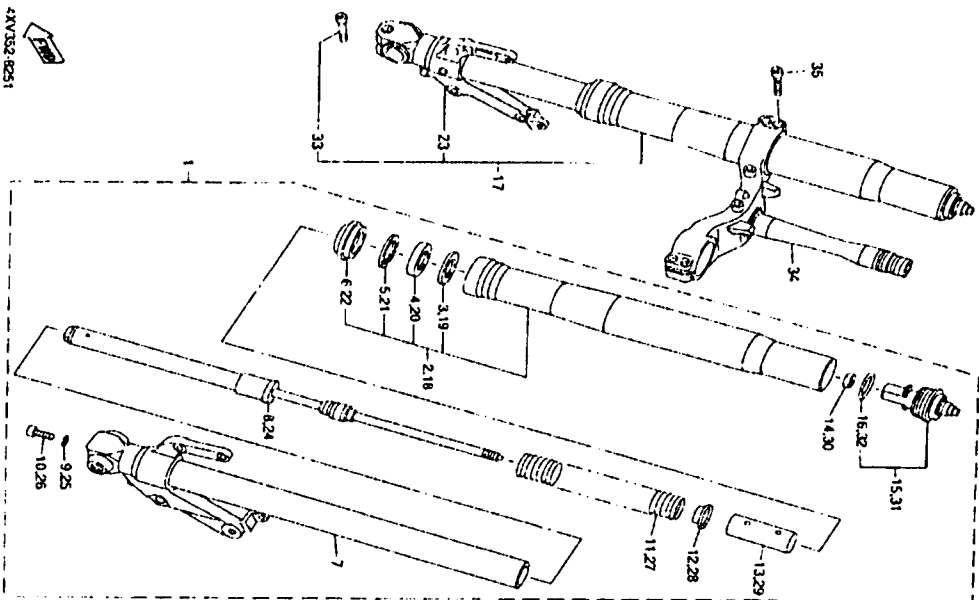


Ref. No.	Part Number	Description	Qty	Remarks
1	93399-99932-00	BEARING	2	
2	3FV-23462-00-00	SEAL, STEERING	1	
3	4XV-23415-00-00	COVER, BALL RACE 1	1	
4	90179-30891-00	NUT	2	
5	4XV-23418-00-00	WASHER, SPECIAL	1	
6	90202-30235-00	WASHER, PLATE	1	
7	90170-29419-00	NUT	1	
8	90201-28108-00	WASHER, PLATE	1	
9	4XV-23435-00-00	CROWN, HANDLE	1	
10	91314-09030-00	BOLT	2	
11	4XV-23418-00-00	EMBLEM	1	
12	4XV-23818-00-00	COVER, STEERING	1	
13	90119-06114-00	BOLT, WITH WASHER	2	

## CONTENTS

A8	CAMSHAFT - CHAIN
BS-4	CARBURETOR
B12 C1	CLUTCH
E9	CONVING 1
E10-12	CONVING 2
B8	CRANKCASE
B9-10	CRANKCASE COVER 1
A4	CRANKSHAFT - PISTON
A5	CYLINDER
FB-9	ELECTRICAL 1
F10-11	ELECTRICAL 2
CB-9	EXHAUST
B7	FLASHER
F3	FLASHER LIGHT
CB-7	FRAME
D9	FRONT BRAKE CALIPER
D0-4	FRONT FORK
E2-3	FRONT MASTER CYLINDER
D8	FUEL TANK
D5-4	GENERATOR
F1	HANDLE SWITCH - LEVER
F7	HEADLIGHT
F5	HEADLIGHT
B4	METER
B3	METER
B2	OK CLEANER
A12 B1	RADIATOR - HOSE
C11-12	REAR ARM
D12	REAR BRAKE CALIPER
E7-8	REAR MASTER CYLINDER
D1	REAR SUSPENSION
D10-11	REAR WHEEL
D7	SEAT
C4	SHIFT CAM - FORK
C5	SHIFT SHAFT
C10	SIDE COVER
E4-6	STAND - FOOTREST
B11	STARTER
F2	STARTING MOTOR
D2	STEERING
E1	STEERING HANDLE - CABLE
F4	TAILLIGHT
C2-3	TRANSMISSION
A7-8	VALVE
A10-11	WATER PUMP

# FRONT FORK



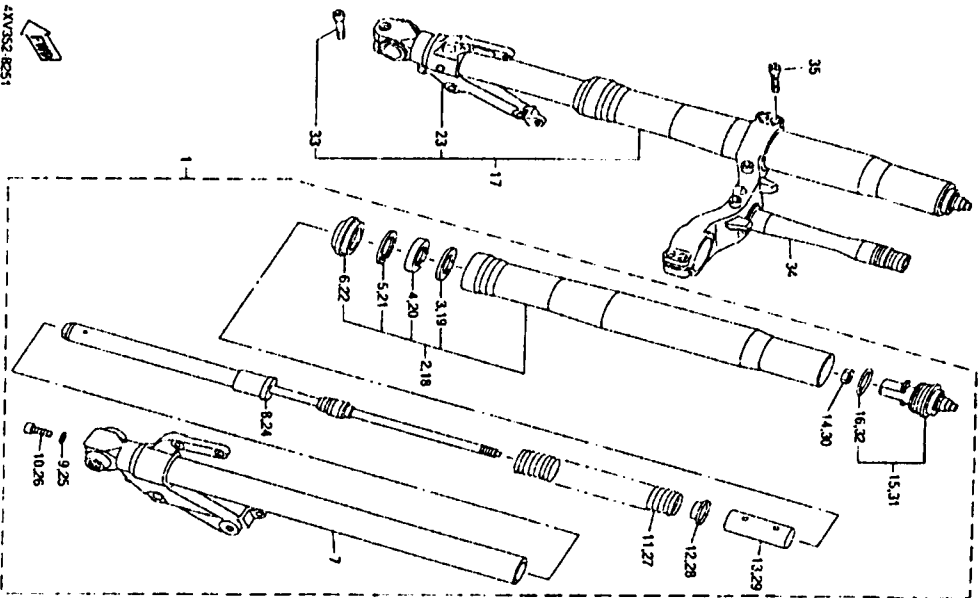
Part Number	Description	Qty	Remarks
1 4XV-23102-00-00	FRONT FORK ASSEMBLY (L.H)	1	
2 4XV-23136-00-00	TUBE, OUTER (RIGHT)	1	
3 36Y-23146-10-00	WASHER, OIL SEAL	1	
4 4XV-23145-00-00	OIL SEAL	1	
5 26H-23156-00-00	CLIP, OIL SEAL	1	
6 4EB-23144-00-00	SEAL, DUST	1	
7 4XV-23110-00-00	INNER TUBE COMP 1	1	
8 4XV-23170-00-00	CYLINDER COMP., FRONT FORK	1	
9 2K8-23158-L0-00	GASKET	1	
10 3L-C-23181-00-00	BOLT, HEXAGON SOCKET HEAD	1	
11 4XV-23141-00-00	SPRING, FRONT FORK	1	
12 4XV-23142-00-00	SEAT, SPRING UPPER	1	
13 4XV-23118-00-00	SPACER	1	
14 3L-C-23357-00-00	NUT	1	
15 4XV-23111-00-00	BOLT, CAP	1	
16 3XJ-23147-L0-00	O-RING	1	
17 4XV-23103-00-00	FRONT FORK ASSEMBLY (R.H)	1	
18 4XV-23136-00-00	TUBE, OUTER (RIGHT)	1	
19 36Y-23146-10-00	WASHER, OIL SEAL	1	
20 4XV-23145-00-00	OIL SEAL	1	
21 26H-23156-00-00	CLIP, OIL SEAL	1	
22 4EB-23144-00-00	SEAL, DUST	1	
23 4XV-23120-00-00	INNER TUBE COMP 2	1	
24 4XV-23170-00-00	CYLINDER COMP., FRONT FORK	1	
25 2K8-23158-L0-00	GASKET	1	
26 3L-C-23181-00-00	BOLT, HEXAGON SOCKET HEAD	1	

CONTINUED ON NEXT FRAME >

## CONTENTS

Part Number	Description	Page
4XV-23182-1	CAMSHAFT - CHAIN	A9
	CLUTCH	B5-6
	CONVING 1	B12, C1
	CONVING 2	E9
	CRANKCASE COVER 1	E10-12
	CRANKCASE COVER 2	B8
	CRANKSHAFT - PISTON	B9-10
	CYLINDER	A5
	ELECTRICAL 1	A5
	ELECTRICAL 2	F8-9
	EXHAUST	F10-11
	FENDER	B7
	FLASHER LIGHT	C8-9
	FRAME BRAKE CALIPER	F3
	FRONT FORK	D9
	FRONT MASTER CYLINDER	D0-4
	FRONT WHEEL	E2-3
	FUEL TANK	D8
	GENERATOR	D6-6
	HANDLE SWITCH - LEVER	F1
	HEADLIGHT	F7
	HEADLIGHT	F5
	HEADLIGHT	F4
	METER	B4
	OIL CLEANER	B3
	OIL PUMP	B2
	RADIATOR - HOSE	A12, B1
	REAR ARM	C11-12
	REAR BRAKE CALIPER	D12
	REAR MASTER CYLINDER	E7-8
	REAR SUSPENSION	D1
	REAR WHEEL	D10-11
	SEAT	D7
	SMART CAM - FORK	C4
	SMART SHAFT	C5
	SOE COVER	C10
	STAND - FOOTREST	E4-6
	STARTER	B11
	STARTING MOTOR	F2
	STEERING HANDLE - CABLE	D2
	TAILLIGHT	E1
	TRANSMISSION	F4
	VALVE	C2-3
	VALVE	A7-8
	WATER PUMP	A10-11

# FRONT FORK

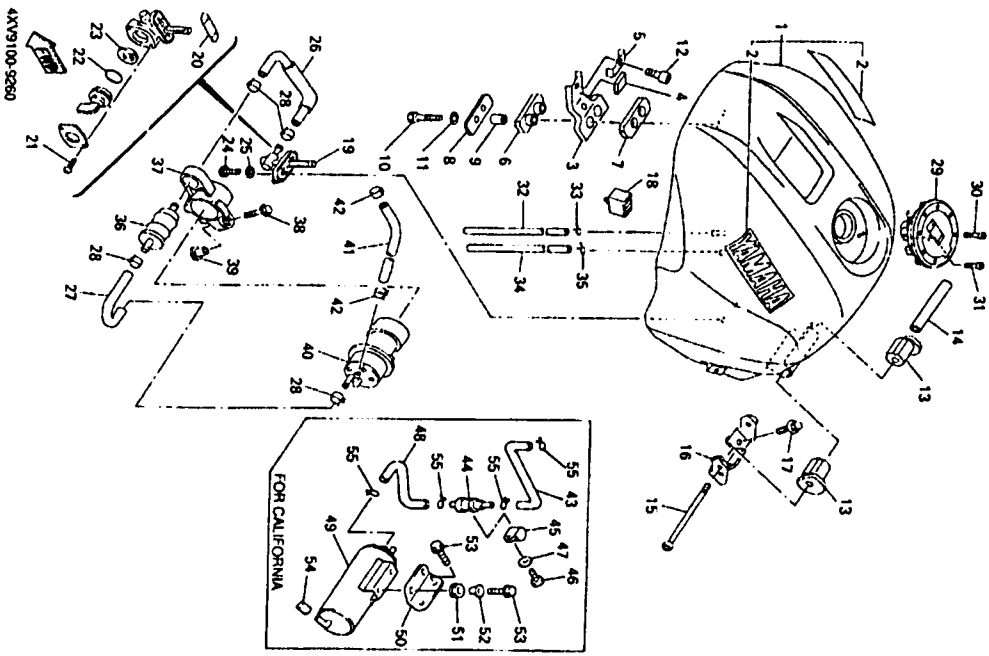


No.	Part Number	Description	Qty	Remarks
27	4XV-23141-00-00	. SPRING, FRONT FORK	1	
28	4XV-23142-00-00	. SEAT, SPRING UPPER	1	
29	4XV-23118-00-00	. SPACER	1	
30	3L-C-23357-00-00	. NUT	1	
31	4XV-23111-00-00	. BOLT, CAP	1	
32	3XJ-23147-L0-00	. O-RING	1	
33	91314-08040-00	. BOLT	1	
34	4XV-23340-00-00	UNDER BRACKET COMP.	1	
35	91314-08030-00	BOLT	4	

## CONTENTS

AS	CAMSHAFT - CRANK
B4-4	CAMSHAFT
B12, C1	CLUTCH
E9	CONNECTING ROD
E10-12	CRANKCASE COVER 2
B6	CRANKCASE COVER 1
B9-10	CAMSHAFT - PISTON
A4	CYLINDER
A5	ELECTRICAL 1
F4-9	ELECTRICAL 2
F10-11	EXHAUST
B7	FLASHER
C4-9	FLASHER LIGHT
F3	FRAME
C4-7	FRONT BRAKE CALIPER
D4	FRONT FORK
D3-4	FRONT MASTER CYLINDER
E2-3	FRONT WHEEL
D4	FUEL TANK
D5-4	GENERATOR
F1	HEADLIGHT
F, F1	HANDLE SWITCH - LEVER
F3	HEADLIGHT
B4	METER
F4	METER
B3	METER
B2	OIL CLEANER
A12, B1	RADIATOR - HOSE
C11-12	REAR AXLE
D12	REAR BRAKE CALIPER
E7-8	REAR MASTER CYLINDER
D1	REAR SUSPENSION
D10-11	REAR WHEEL
D7	SEAT
C4	SEAT CAP - FORK
C5	SEAT SHAFT
C10	SEAT COVER
E4-4	STAND - FOOTREST
B11	STARTER
F2	STARTING MOTOR
D2	STEERING HANDLE - CABLE
E1	TAILLIGHT
F5	TRANSMISSION
C2-3	VALVE
A7-9	WATER PUMP
A10-11	WATER PUMP

# FUEL TANK



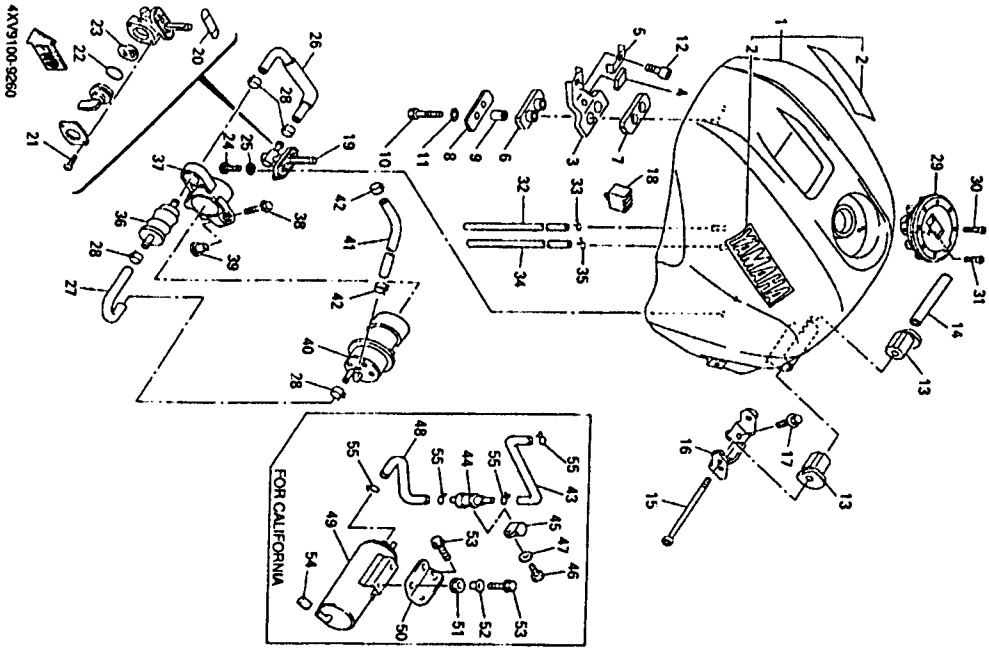
Ref. No.	Part Number	Description	Qty	Remarks
1	4KV-24110-30-02	FUEL TANK COMP.	1	UR DPBMC
2	4KV-12410-30-01	FUEL TANK COMP.	1	UR VRC1
3	4TV-2153A-00-00	EMBLEM, YAMAHA	2	
4	4KV-24191-00-00	BRACKET, FUEL TANK 1	1	
5	1AE-2837J-00-00	DAMPER 5	1	
6	4KV-24186-00-00	WASHER, SPECIAL	1	
7	2GH-24181-00-00	DAMPER, LOCATING 1	1	
8	2GH-24183-00-00	DAMPER, LOCATING 3	1	
9	90387-06299-00	WASHER, SPECIAL	1	
10	97007-06025-00	COLLAR	2	
11	92907-06600-00	BOLT	2	
12	91314-06016-00	WASHER, PLATE	1	
13	4VR-24181-00-00	DAMPER, LOCATING 1	2	
14	90387-061W9-00	COLLAR	1	
15	91317-06110-00	BOLT	1	
16	4KV-21348-00-00	BRACKET, TANK FITTING	1	
17	90119-06044-00	BOLT, WITH WASHER	2	
18	4KV-24183-00-00	DAMPER, LOCATING 3	2	
19	4KM-24500-10-00	FUEL COCK ASSEMBLY 1	1	
20	4X8-24512-00-00	O-RING	1	
21	98507-03006-00	SCREW, PAN HEAD	2	
22	3AJ-24534-00-00	SEAL, COCK	1	
23	3AJ-24523-00-00	VALVE PACKING	1	
24	90149-06011-00	SCREW	2	
25	90202-05193-00	WASHER, PLATE	2	
26	4KV-24311-00-00	PIPE, FUEL 1	1	
27	4KV-24312-00-00	PIPE 2	1	
28	90467-12124-00	CLIP	4	

CONTINUED ON NEXT FRAME ▶

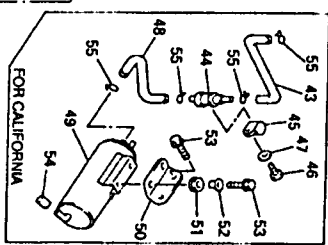
## CONTENTS

CRANKSHAFT - CHAIN	A9
CARBURETOR	B4-4
CLUTCH	B12 C1
COMING 1	E16-12
COMING 2	E16-12
CRANKCASE	B8
CRANKCASE COVER 1	B9-10
CRANKSHAFT - PISTON	A8
CYLINDER	P4-9
ELECTRICAL 1	F16-11
ELECTRICAL 2	B7
EXHAUST	B7
FENDER	C9-9
FLASHER LIGHT	F3
FRAME	04-7
FRONT BRAKE CALIPER	D9
FRONT FORK	D9-4
FRONT MASTER CYLINDER	E2-3
FRONT WHEEL	D8
FUEL TANK	D4-4
GENERATOR	F1
HEADLIGHT	F7
HANDLE SWITCH - LEVER	F5
INTAKE	B4
METER	P4
OK CLEANER	B2
RADIATOR - NOSE	A12 B1
REAR ARM	C11-12
REAR BRAKE CALIPER	D12
REAR MASTER CYLINDER	E7-8
REAR SUSPENSION	D1
REAR WHEEL	D16-11
SEAT	D7
SHIRT CABLE - FORK	C4
SHIRT SHAFT	C5
SOE COVER	C10
STAND - FOOTREST	E4-4
STARTER MOTOR	B11
STEERING HANDLE - CABLE	F2
TAILLIGHT	D5
TRANSMISSION	E4
VALVE	C2-3
WATER PUMP	A17-4

# FUEL TANK



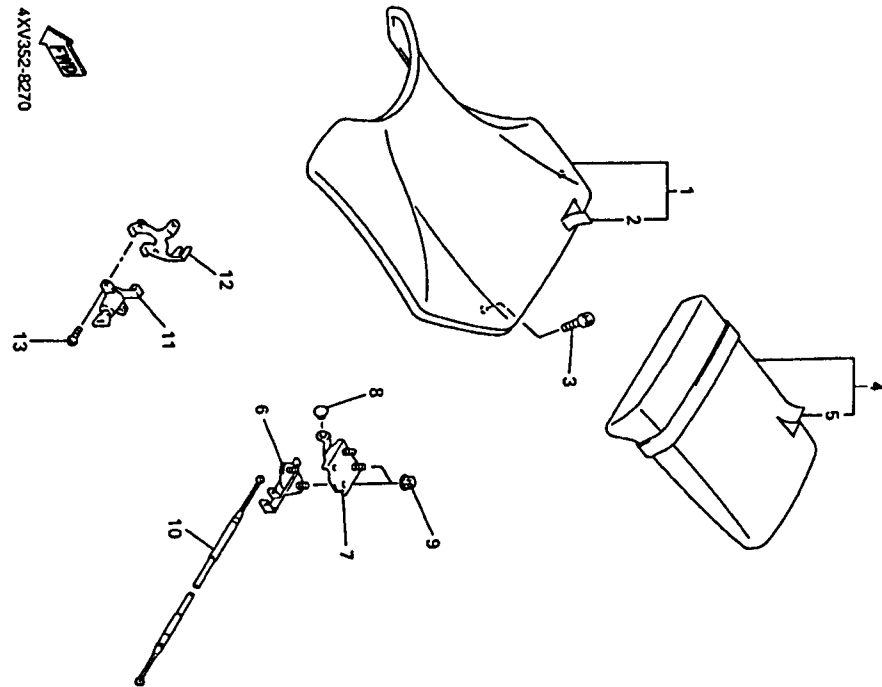
Part No.	Part Number	Description	Qty	Remarks
29	4HN-24602-00-00	CAP ASSEMBLY	1	
30	90110-05112-00	BOLT, HEXAGON SOCKET HEAD	3	
31	91317-05010-00	BOLT	1	
32	90445-103E9-00	HOSE	1	
33	90467-09006-00	CLIP	1	
34	90445-103E9-00	HOSE	1	
35	90467-09006-00	CLIP	1	
36	1FK-24560-00-00	FILTER ASSEMBLY	1	
37	4XV-24398-00-00	BAND 1	1	
38	90119-06096-00	BOLT, WITH WASHER	1	
39	90387-06212-00	COLLAR	1	
40	4SV-13907-00-00	FUEL PUMP COMP.	1	
41	90445-142K2-00	HOSE	1	
42	90467-13123-00	CLIP	2	
43	4XV-24313-00-00	PIPE 3	1	CALIFORNIA
44	25H-24180-00-00	ROLL OVER VALVE ASSEMBLY	1	CALIFORNIA
45	90461-15100-00	CLAMP	1	CALIFORNIA
46	98507-05012-00	SCREW, PAN HEAD	1	CALIFORNIA
47	92907-05600-00	WASHER, PLATE	1	CALIFORNIA
48	4XV-24314-00-00	PIPE 4	1	CALIFORNIA
49	4XV-24170-00-00	CANISTER ASSEMBLY	1	CALIFORNIA
50	4XV-24197-00-00	BRACKET, CANISTOR	1	CALIFORNIA
51	90480-13163-00	GROMMET	2	CALIFORNIA
52	90387-06212-00	COLLAR	2	CALIFORNIA
53	95027-06016-00	BOLT, FLANGE	4	CALIFORNIA
54	90445-11418-00	HOSE	1	CALIFORNIA
55	90467-09006-00	CLIP	4	CALIFORNIA



## CONTENTS

CANSHAFT - CHAIN	A8
CARBURETOR	B5-4
CLUTCH	B12 C1
CONVING 1	E10-12
CONVING 2	E8
CRANKCASE COVER 1	B9-10
CRANKSHAFT - PISTON	A4
CYLINDER	A5
ELECTRICAL 1	F10-11
ELECTRICAL 2	B7
EXHAUST	CB-9
FLASHER LIGHT	E3
FRAME	OC-7
FRONT BRAKE CALIPER	C6
FRONT FORK	DD-4
FRONT MASTER CYLINDER	E2-3
FUEL TANK	D4
GENERATOR	DC-4
HANDLE SWITCH - LEVER	F1
HEADLIGHT	F7
METER	F5
METER	F4
OIL CLEANER	B4
OIL PUMP	B2
RADIATOR - HOSE	A12 B1
REAR ARM	AT-12
REAR BRAKE CALIPER	DI-2
REAR MASTER CYLINDER	E7-8
REAR SUSPENSION	D1
REAR WHEEL	D10-11
SEAT	D7
SEAT CAMP - FORK	C4
SHIRT SHAFT	C5
SIDE COVER	C10
STAND - FOOTREST	E4-4
STARTER	B11
STARTING MOTOR	F2
STEERING HANDLE - CABLE	D2
TAILLIGHT	E1
TRANSMISSION	F8
VALVE	CC-3
WATER PUMP	AT-8

# SEAT



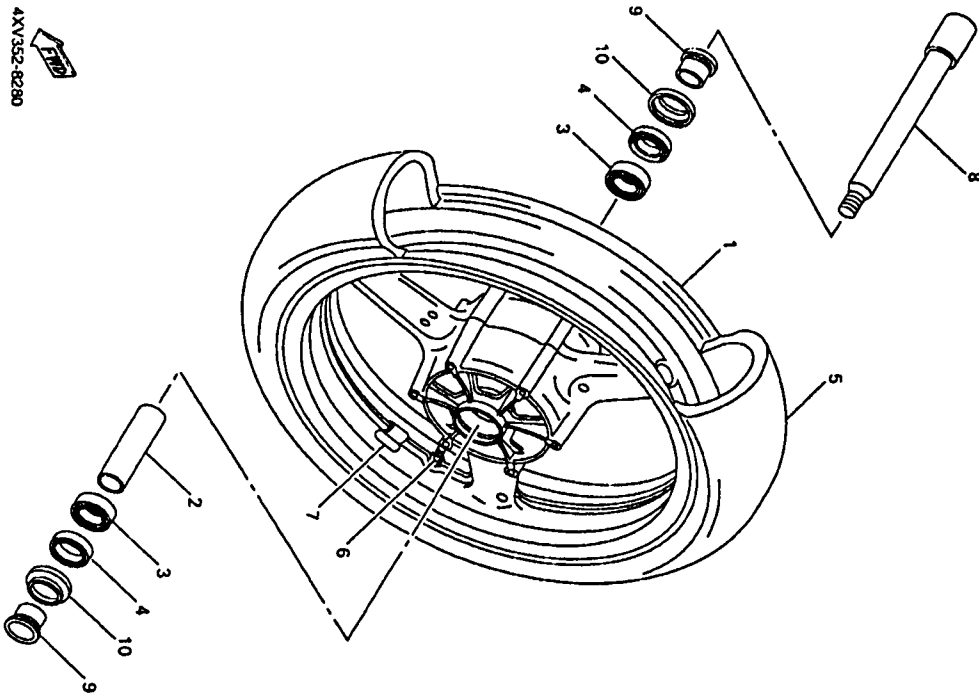
Ref. No.	Part Number	Description	Qty	Remarks
1	4XV-24710-10-00	SINGLE SEAT ASSEMBLY ...	1	
2	4XV-2470F-10-00	. COVER, SEAT .....	1	
3	90110-06258-00	BOLT, HEXAGON SOCKET HEAD .....	1	
4	4XV-24750-10-00	TANDEM SEAT ASSEMBLY ...	2	
5	4XV-24751-10-00	. COVER, TANDEM SEAT ...	1	
6	4BP-24790-00-00	SEAT LOCK ASSEMBLY .....	1	
7	4XV-24792-00-00	PLATE .....	1	
8	90338-07043-00	PLUG .....	1	
9	95707-08500-00	NUT, FLANGE .....	4	
10	4KM-2478E-01-00	CABLE, SEAT LOCK .....	1	
11	2TV-W2470-00-00	SEAT LOCK ASSEMBLY .....	1	
12	4XV-2117K-00-00	STAY, LOCK .....	1	
13	90149-06308-00	SCREW .....	2	

## CONTENTS

- A9 CRANKSHAFT - CYLIND
- 86-6 CARBURETOR
- B12 C1 CLUTCH
- E9 CONVLING 1
- E10-12 CONVLING 2
- B8 CRANKCASE COVER 1
- B9-10 CRANKSHAFT - PISTON
- A5 CYLINDER
- A5 ELECTRICAL 1
- F9-9 ELECTRICAL 2
- B7 EXHAUST
- C8-9 FENDER
- F3 FLASHER LIGHT
- C6-7 FRAME
- D9 FRONT BRAKE CALIPER
- D0-4 FRONT FORK
- E2-3 FRONT MASTER CYLINDER
- D8 FRONT WHEEL
- D5-6 FUEL TANK
- F1 GENERATOR
- F5 HANDLE SWITCH - LEVER
- F7 HEADLIGHT
- B4 HEADLAMP
- F4 INTAKE
- B3 METER
- B2 OIL CLEAMER
- A12 B1 OIL PUMP
- C11-12 RADIATOR - HOSE
- D12 REAR ARM
- E7-8 REAR BRAKE CALIPER
- D1 REAR MASTER CYLINDER
- D1 REAR SUSPENSION
- D7-9 REAR WHEEL
- D7 SEAT
- C4 SHIRT CAM - FORK
- C5 SHIRT SHAFT
- C10 SIDE COVER
- B11 STAND - FOOTREST
- D2 STARTER
- D2 STARTING MOTOR
- E1 STEERING HANDLE - CABLE
- F8 TAILLIGHT
- C8-3 TRANSMISSION
- A7-8 VALVE
- A10-11 WATER PUMP



# FRONT WHEEL



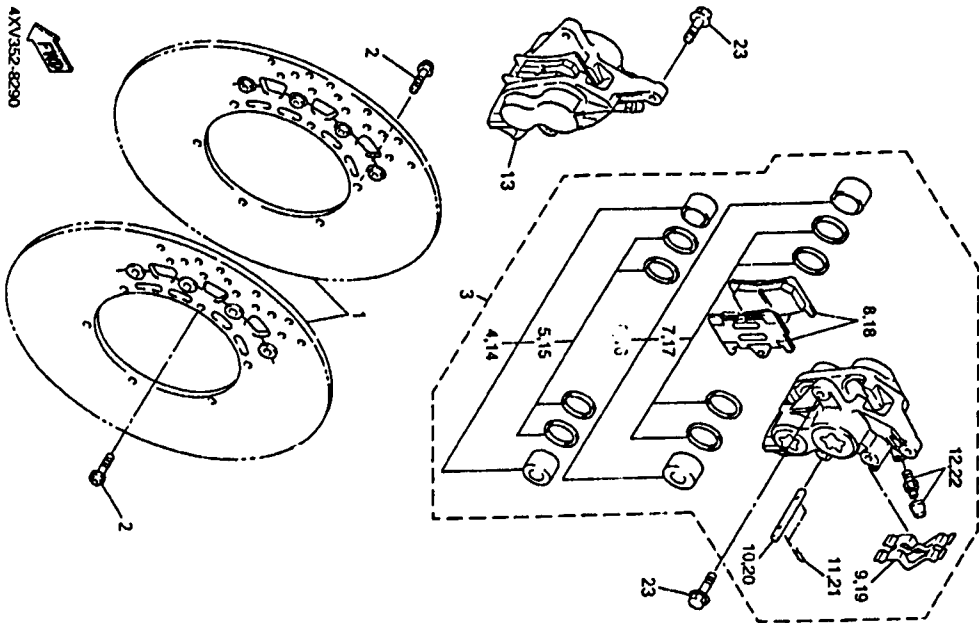
Ref. No.	Part Number	Description	Qty	Remarks
1	4XV-25168-00-33	CAST WHEEL, FRONT	1	YB
2	4XV-25168-00-35	CAST WHEEL, FRONT	1	SL
3	4XV-25117-00-00	SPACER, BEARING	1	
4	93306-00420-00	BEARING (B6004)	2	
5	93106-28043-00	OIL SEAL	2	
6	94112-17131-00	TIRE (120/70 ZR17 D207F)	1	DUNK OP
7	93900-00030-00	VALVE, RIM	1	
8	29L-25396-00-00	BALANCER, WHEEL (10G)	1	UN
9	29L-25396-10-00	BALANCER, WHEEL (20G)	1	UN
10	4XV-25181-00-00	BALANCER, WHEEL (30G)	1	UN
11	4XV-25185-00-00	AXLE, WHEEL	1	
12	4XV-25118-00-00	COLLAR, WHEEL	2	
13	4XV-25118-00-00	COVER, HUB DUST	2	

## CONTENTS

AA	CAMSHAFT - CHAIN
BB-4	CLUTCH
BTZ C1	CONSOLE 1
E3	CONSOLE 2
E18-12	CRANKCASE
BB-10	CRANKCASE COVER 1
AA	CRANKSHAFT - PISTON
AA	STANDER
AA	ELECTRICAL 1
FA-9	ELECTRICAL 2
FA-11	EXHAUST
BB	FLASHER LIGHT
CA-8	FUEL
CA-7	FRONT BRAKE CALIPER
DB	FRONT FORK
DB-4	FRONT MASTER CYLINDER
ES-3	FRONT WHEEL
DB	FUEL TANK
DB-4	GENERATOR
F1	HANDLE SWITCH - LEVER
F7	HEADLIGHT
F5	METER
BA	METAL
F4	OIL CLEANER
BB	OIL FLAP
A12 B1	RAKANTON - HOSE
CH-12	REAR AXLE
D12	REAR BRAKE CALIPER
E7-4	REAR MASTER CYLINDER
D1	REAR SUSPENSION
D1	REAR WHEEL
D1	SEAT CAM - FORK
D1	SEAT CAM - PISTON
C4	SEAT COVER
C3	SEAT SWAY
C18	SEAT SWAY
E4-4	STEERING MOTOR
B11	STARTER
F2	STARTING MOTOR
D2	STEERING HANDLE - CABLE
E1	TAILLIGHT
FA	TRANSMISSION
CS-3	VALVE
AT-4	VALVE
A18-11	WATER PUMP



# FRONT BRAKE CALIPPER



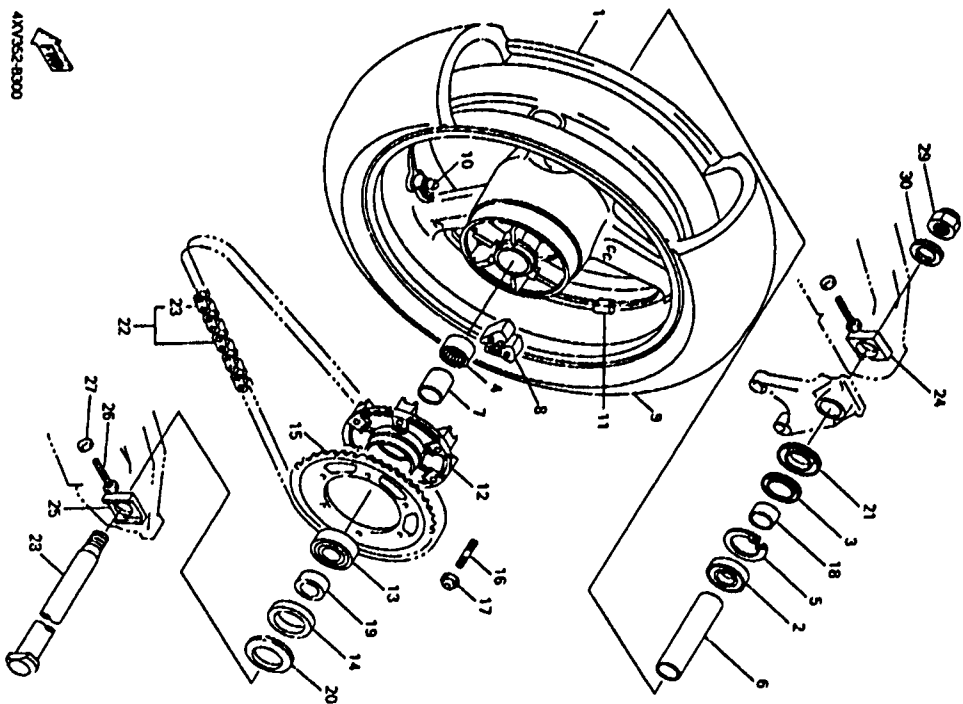
Part Number	Description	Qty	Remarks
-------------	-------------	-----	---------

1	4SV-2581T-00-00	DISC BRAKE ASSEMBLY	2
2	90109-06406-00	BOLT	12
3	4XV-2590T-00-00	CALIPER ASSEMBLY (LEFT)	1
4	4SV-W0057-00-00	.PISTON ASSEMBLY, CALIPER	1
5	3MA-W0047-10-00	.CALIPER SEAL KIT	1
6	4SV-W0057-10-00	.PISTON ASSEMBLY, CALIPER	1
7	3GM-W0047-10-00	.CALIPER SEAL KIT	1
8	4XV-W0045-00-00	.BRAKE PAD KIT	1
9	4SV-25919-00-00	.SUPPORT, PAD	1
10	4SV-25924-00-00	.PIN, PAD	1
11	3GM-25925-00-00	.CLIP	2
12	1L3-W0048-00-00	.BLEED SCREW KIT	1
13	4XV-2590U-00-00	CALIPER ASSEMBLY (RIGHT)	1
14	4SV-W0057-00-00	.PISTON ASSEMBLY, CALIPER	1
15	3MA-W0047-10-00	.CALIPER SEAL KIT	1
16	4SV-W0057-10-00	.PISTON ASSEMBLY, CALIPER	1
17	3GM-W0047-10-00	.CALIPER SEAL KIT	1
18	4XV-W0045-00-00	.BRAKE PAD KIT	1
19	4SV-25919-00-00	.SUPPORT, PAD	1
20	4SV-25924-00-00	.PIN, PAD	1
21	3GM-25925-00-00	.CLIP	2
22	1L3-W0048-00-00	.BLEED SCREW KIT	1
23	90105-105A7-00	BOLT, WASHER BASED	4

## CONTENTS

A9	CAMSHAFT - CHAIN
B5-5	CARBURETOR
B12-C1	CLUTCH
E9	CONV LING 1
E10-12	CONV LING 2
B8	CRANKCASE
B8-10	CRANKCASE COVER 1
A5	CRANKSHAFT - PISTON
A5	CYLINDER
B3-9	ELECTRICAL 1
F10-11	ELECTRICAL 2
B7	EXHAUST
C4-9	FENDER
F3	FLASHER LIGHT
C5-7	FRAME
D9	FRONT BRAKE CALIPER
D0-4	FRONT FORK
E2-3	FRONT MASTER CYLINDER
D8	FRONT WHEEL
D6-6	FUEL TANK
F1	GENERATOR
F7	HANDLE SWITCH - LEVER
F5	HEADLIGHT
B4	HEADLIGHT METER
B3	IN TAKE
B2	METER
B2	OIL CLEANER
A12-B1	OIL PUMP
CT1-12	RADIATOR - HOSE
D12	REAR ARM
E7-8	REAR BRAKE CALIPER
D1	REAR MASTER CYLINDER
D10-11	REAR SUSPENSION
D7	REAR WHEEL
C4	SEAT
C5	SHIRT CAM - FORK
C10	SHIRT SHAFT
E4-6	SIDE COVER
B11	STAND - FOOTREST
D2	STARTER
F2	STARTING MOTOR
E1	STEERING HANDLE - CABLE
F8	STEERING HANDLE - CABLE
CS-3	TAILLIGHT
A7-8	TRANSMISSION
A10-11	VALVE
	WATER PUMP

# REAR WHEEL



Part Number	Description	Qty	Remarks
1 4XV-25338-00-33	CAST WHEEL, REAR	1	YB
4XV-25338-00-35	CAST WHEEL, REAR	1	SL
2 93306-20567-00	BEARING	1	
3 93106-35042-00	OR. SEAL	1	
4 93317-43580-00	BEARING	1	
5 99009-52500-00	CIRCLIP	1	
6 4XV-25317-00-00	SPACER, BEARING	1	
7 4XV-25383-00-00	COLLAR, WHEEL	1	
8 4XV-25384-00-00	DAMPER	1	
9 94119-1713K-00	TIRE (190/50 ZR17 D207)	6	DUNLOP
10 93900-00030-00	VALVE, RIM	1	
11 29L-25398-10-00	BALANCER, WHEEL (10G)	1	UN
29L-25398-10-00	BALANCER, WHEEL (20G)	1	UN
12 4XV-25386-20-00	BALANCER, WHEEL (30G)	1	UN
13 93306-20646-00	CLUTCH, HUB	1	
14 93106-40041-00	BEARING	1	
15 4XV-25443-20-00	OR. SEAL	1	
16 90116-10485-00	SPROCKET, DRIVEN (43T)	1	
17 95607-10200-00	BOLT, STUD	8	
18 4XV-25377-00-00	NUT, SELF-LOCKING	6	
19 4XV-25376-00-30	COLLAR, WHEEL	1	
20 4XV-25387-00-00	COVER, HUB DUST	1	
21 4XV-25327-00-00	COVER, PLATE	1	
22 94581-69114-00	CHAIN (D065Q2WA-114LU)	1	
23 94681-69031-00	.JOINT, CHAIN	1	
24 4XV-25389-00-00	PULLER, CHAIN 1	1	
25 4XV-25389-00-00	PULLER, CHAIN 2	1	
26 90101-08786-00	BOLT	2	

CONTINUED ON NEXT FRAME >

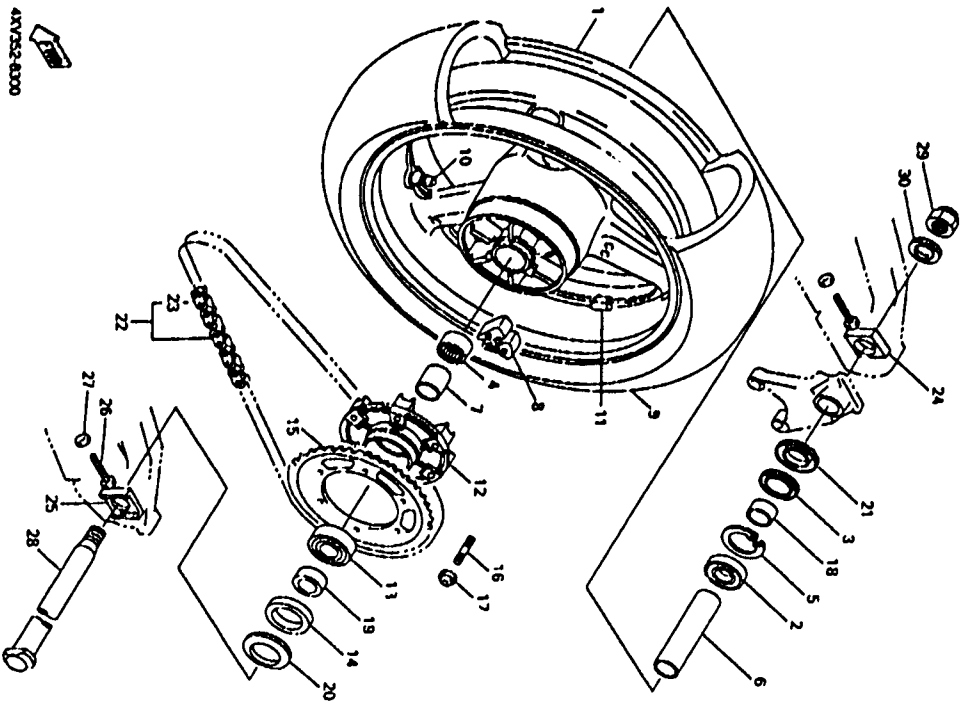
## CONTENTS

CHAINSHAFT - CHAIN	A9
CLUTCH	B4-4
CONV. 1	B12 C1
CONV. 2	E9
CHARCASE	E18-12
CHARCASE COVER 1	B8-16
CHAINSHAFT - PISTON	A5
CYLINDER	F8-9
ELECTRICAL 1	F8-11
ELECTRICAL 2	B7
EXHAUST	C3-9
FLASHER LIGHT	F1
FRAME	C3-7
FRONT BRAKE CALIPER	D9
FRONT FORK	D3-4
FRONT MASTER CYLINDER	E3-3
FUEL TANK	D8
GENERATOR	D4-4
HANDLE SWITCH - LEVER	F1
HEADLIGHT	F7
WATER	F5
WETTER	B4
OR. CLEANER	B3
RADIATOR - HOSE	A12 B1
REAR BRAKE CALIPER	C11-12
REAR MASTER CYLINDER	D12
REAR SUSPENSION	E7-8
REAR WHEEL	D1
SEAT	D6-11
SHIRT CABLE - FRONT	D7
SHIRT SHAFT	C4
SIDE COVER	C3
STAND - FOOTREST	C7-6
STARTER	B11
STARTING MOTOR	F2
STEERING HANDLE - CABLE	D2
TALLIGHT	E1
TRANSMISSION	F5
VALVE	C3
WATER PUMP	A7-4
	A9-11



# REAR WHEEL

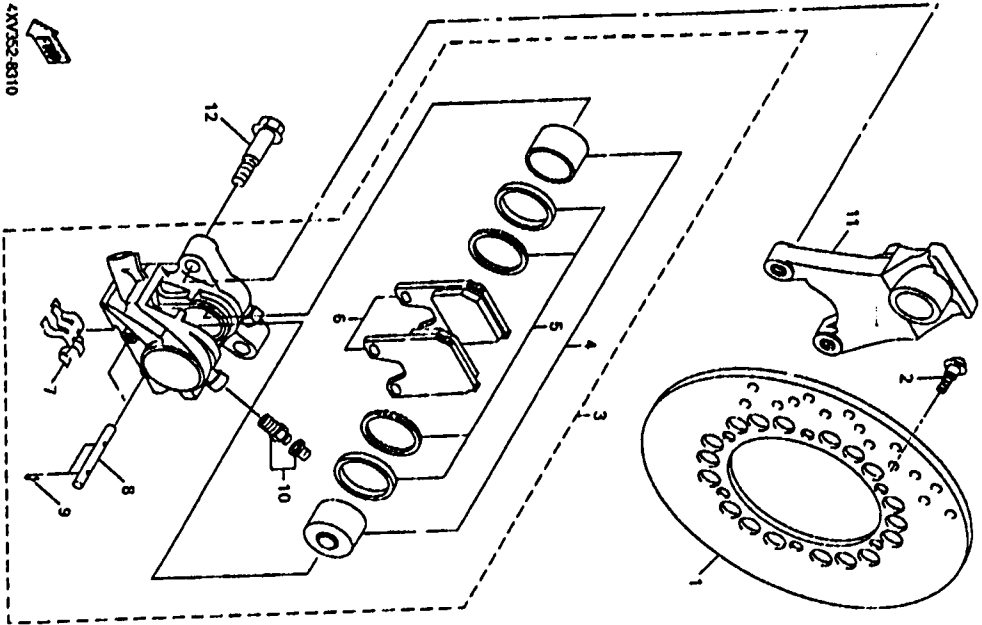
Part No.	Part Number	Description	Qty	Remarks
27	95307-40600-00	NUT	2	
28	4XV-25381-00-00	AXLE, WHEEL	1	
29	90185-24185-00	NUT, SELF-LOCKING	1	
30	90201-25785-00	WASHER, PLATE	1	



## CONTENTS

A9	CAMSHAFT - CHAIN
B4-5	CARBURETOR
B12 C71	CLUTCH
E9	COUPLING 1
E16-12	COUPLING 2
B8	CRANKCASE
B5-10	CRANKCASE COVER 1
A6	CRANKSHAFT - PISTON
A5	CYLINDER
F3-9	ELECTRICAL 1
F16-11	ELECTRICAL 2
B7	EXHAUST
C3-9	FLASHER LIGHT
F3	FRAME
C6-7	FRONT BRAKE CALIPER
D9	FRONT FORK
D3-4	FRONT MASTER CYLINDER
E2-3	FRONT WHEEL
D8	FUEL TANK
D5-4	GENERATOR
F1	HANDLE SWITCH - LEVER
F7	HEADLIGHT
F5	HEADLIGHT
B4	METER
F4	METER
B3	METER
B2	OIL CLEANER
A12 B1	OIL PUMP
C71-12	RADIATION - NOSE
D12	REAR ARM
E7-4	REAR BRAKE CALIPER
D1	REAR MASTER CYLINDER
D1	REAR SUSPENSION
D1	REAR WHEEL
D7	SEAT
C4	SHIRT CAM - FORK
C5	SHIRT SHAFT
C10	SIDE COVER
E4-4	STAND - FOOTREST
B11	STARTER
F2	STARTING MOTOR
D2	STEERING HANDLE - CABLE
E1	STEERING HANDLE - CABLE
F8	TAILLIGHT
C3-3	TRANSMISSION
A7-4	VALVE
A10-11	WATER PUMP

# REAR BRAKE CALIPER

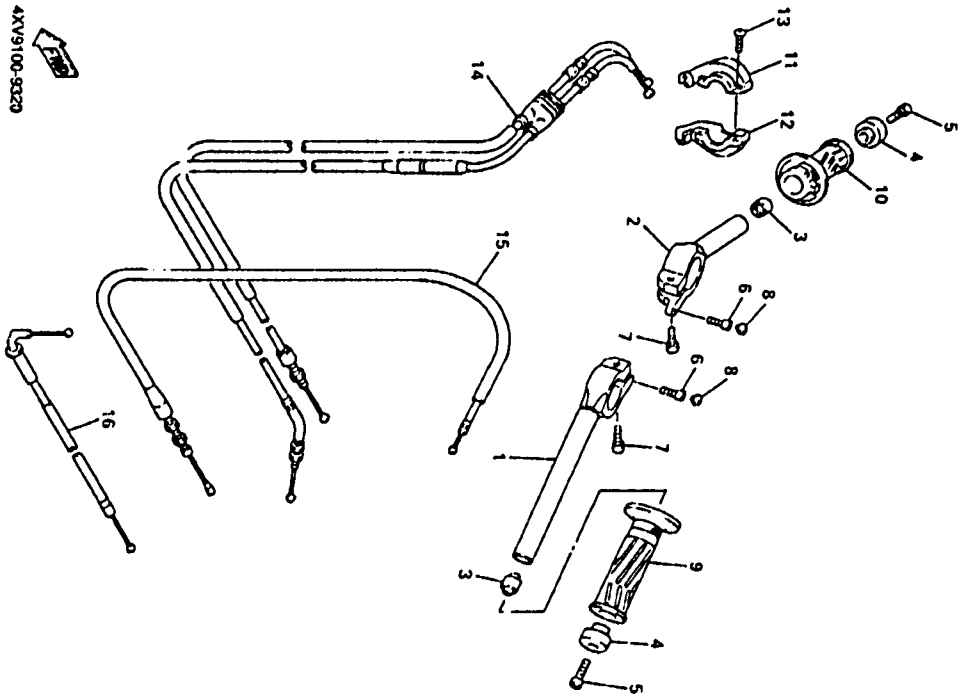


Part No.	Part Number	Description	Qty	Remarks
1	4XV-2582W-00-00	DISC, REAR BRAKE 2	1	
2	90109-004G6-00	BOLT	1	
3	4XV-2580W-10-00	CALIPER ASSEMBLY, REAR 2	6	
4	4XV-W0057-50-00	PISTON ASSEMBLY, CALIPER	1	
5	4XV-W0047-50-00	CALIPER SEAL KIT	1	
6	4XV-W0046-10-00	BRAKE PAD KIT 2	1	
7	4XV-25819-50-00	SUPPORT, PAD	1	
8	4SV-25824-00-00	PNL, PAD	2	
9	3GM-25823-00-00	CLIP	4	
10	1L3-W0044-00-00	BLEED SCREW KIT	2	
11	4XV-25819-00-00	BRACKET, CALIPER	1	
12	90105-105A0-00	BOLT, WASHER BASED	2	

## CONTENTS

CALIPER KIT - CALIPER	A9
CLUTCH	B2-4
COMP B&G 1	B12-L1
COMP B&G 2	E3
CRANKCASE COVER 2	E18-12
CRANKCASE COVER 1	B6
CRANKSHAFT - PISTON	B8-10
CYLINDER	A4
ELECTRICAL 1	A5
ELECTRICAL 2	F8-11
EXHAUST	B7
FENDERS	C9-9
FLASHER LIGHT	F3
FRONT BRAKE CALIPER	C9-7
FRONT FLOOR	D9
FRONT MASTER CYLINDER	D2-4
FUEL TANK	E2-3
GENERATOR	D8
HANDLE SWITCH - LETTER	D9-4
HEADLIGHT	F1
METER	F3
METER	B4
ON/OFF CLAMPER	B4
RADIATOR - NOSE	B2
REAR AXLE	A12-B1
REAR BRAKE CALIPER	C11-12
REAR MASTER CYLINDER	D12
REAR SUSPENSION	E7-8
REAR WHEEL	D1
SEAT	D16-11
SHIFT CABLE - FORK	D7
SHIFT SHAFT	C4
SIDE COVER	C3
STAND - FOOTREST	C18
STARTER MOTOR	E4-6
STEERING MOTOR	B11
STEERING HANDLE - CABLE	F2
TAILLIGHT	D2
TRANSMISSION	E1
VALVE	C2-3
WATER PUMP	A15-16

# STEERING HANDLE - CABLE

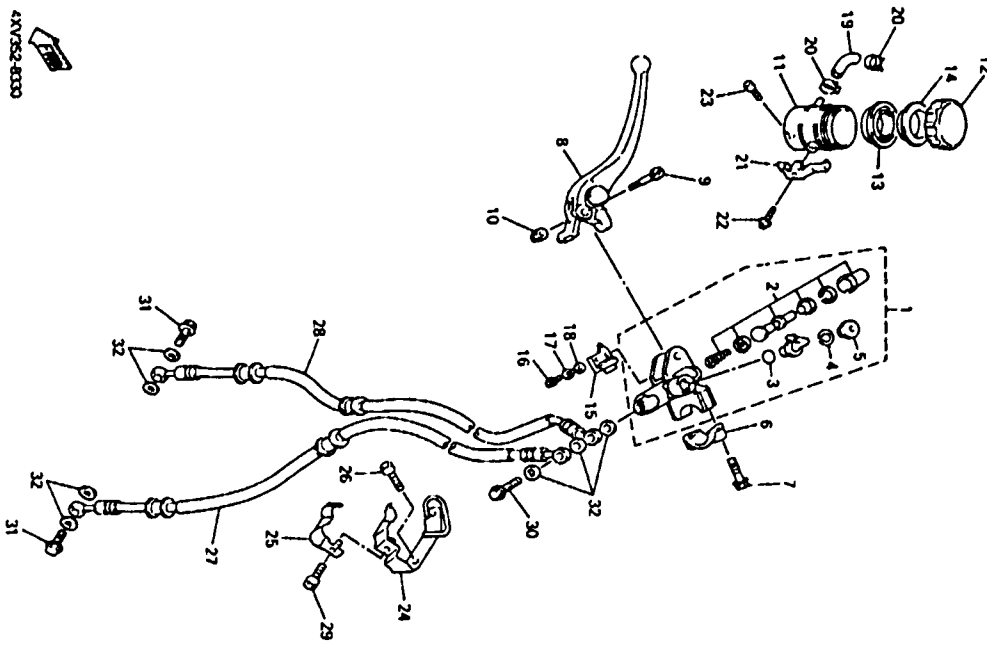


Ref. No.	Part Number	Description	Qty	Remarks
1	4XV-26121-00-00	HANDLEBAR (LEFT)	1	
2	4XV-26122-00-00	HANDLEBAR (RIGHT)	1	
3	4XV-23434-00-00	HOLDER, DAMPER	1	
4	4XV-26246-00-00	END, GRIP	2	
5	91317-08025-00	BOLT	2	
6	91317-08025-00	BOLT	2	
7	91314-08030-00	BOLT	2	
8	2H9-23469-00-00	CAP. BOLT	2	
9	4YR-26241-01-00	GRIP (LEFT)	1	
10	4YR-26240-00-00	GRIP ASSEMBLY	1	
11	3XW-26281-01-00	CAP. GRIP UPPER	1	
12	3XW-26282-01-00	CAP. GRIP LOWER	1	
13	96507-05035-00	SCREW, PAN HEAD	2	
14	4XV-26302-01-00	THROTTLE CABLE ASSEMBLY	1	
15	4XV-26335-00-00	CABLE, CLUTCH	1	
16	4XV-26331-00-00	CABLE, STARTER 1	1	

## CONTENTS

48	CAMSHAFT - CRANK
49	CLUTCH
812	CONVING 1
813	CONVING 2
E9	CRANKCASE COVER 1
E10-12	CRANKCASE COVER 2
86	CRANKSHAFT - MOTOR
86-10	CYLINDER
86	ELECTRICAL 1
86-9	ELECTRICAL 2
87	EXHAUST
87	FLASHER LIGHT
87	FRAME
87	FRONT BRAKE CALIPER
87	FRONT FORK
87	FRONT MASTER CYLINDER
87	FUEL TANK
87	GENERATOR
87	HEADLIGHT
87	HEADLIGHT SWITCH - LEVER
87	METER
87	METER
87	OIL CLEANER
87	OIL PUMP
87	RADIATOR - NOSE
87	REAR ARM
87	REAR BRAKE CALIPER
87	REAR MASTER CYLINDER
87	REAR SUSPENSION
87	REAR WHEEL
87	SEAT
87	SEAT CAME - FORK
87	SHORT SHAFT
87	SIDE COVER
87	STAND - FOOTREST
87	STARTER
87	STARTING MOTOR
87	STEERING HANDLE - CABLE
87	TAILLIGHT
87	TRANSMISSION
87	VALVE
87	WATER PUMP

# FRONT MASTER CYLINDER



Ref. No.	Part Number	Description	Qty	Remarks
1	4XV-W2587-00-00	MASTER CYLINDER SUB ASSEMBLY	1	
2	4SV-W10041-00-00	CYLINDER KIT, MASTER	1	
3	5QZ10-15620-00	O-RING	1	
4	2VN-25866-00-00	CIRCLIP	1	
5	3FV-2589A-00-00	COVER, DUST	1	
6	5AA-25867-00-00	BRACKET, MASTER CYLINDER	1	
7	95026-06025-00	BOLT, FLANGE	2	
8	4XV-43922-00-00	LEVER 2	1	
9	3FV-2589F-00-00	BOLT, LEVER	1	
10	95606-06100-00	NUT, U	1	
11	3FV-2589J-00-00	TANK, RESERVOIR	1	
12	3GM-25832-50-00	CAP, RESERVOIR	1	
13	3FV-2585A-00-00	DIAPHRAGM, RESERVOIR	1	
14	2L2-25855-50-00	BUSH, DIAPHRAGM	1	
15	3FV-43980-00-00	FRONT STOP SWITCH ASSEMBLY	1	
16	96502-04012-00	SCREW, PAN HEAD	1	
17	92902-04100-00	WASHER, SPRING	1	
18	92902-04600-00	WASHER, PLATE	1	
19	31J-2582F-01-00	HOSE	1	
20	3PA-24356-00-00	CLIP, PIPE 1	2	
21	3FV-2589G-00-00	HOLDER	1	
22	3GM-2589H-00-00	SCREW, WITH WASHER	1	
23	91317-06012-00	BOLT	2	
24	4XV-25887-00-00	HOLDER, BRAKE HOSE	1	
25	4XV-2587A-00-00	HOLDER, BREAK HOSE	1	
26	91317-06012-00	BOLT	2	
27	4XV-25872-00-00	HOSE, BRAKE 1	1	

## CONTENTS

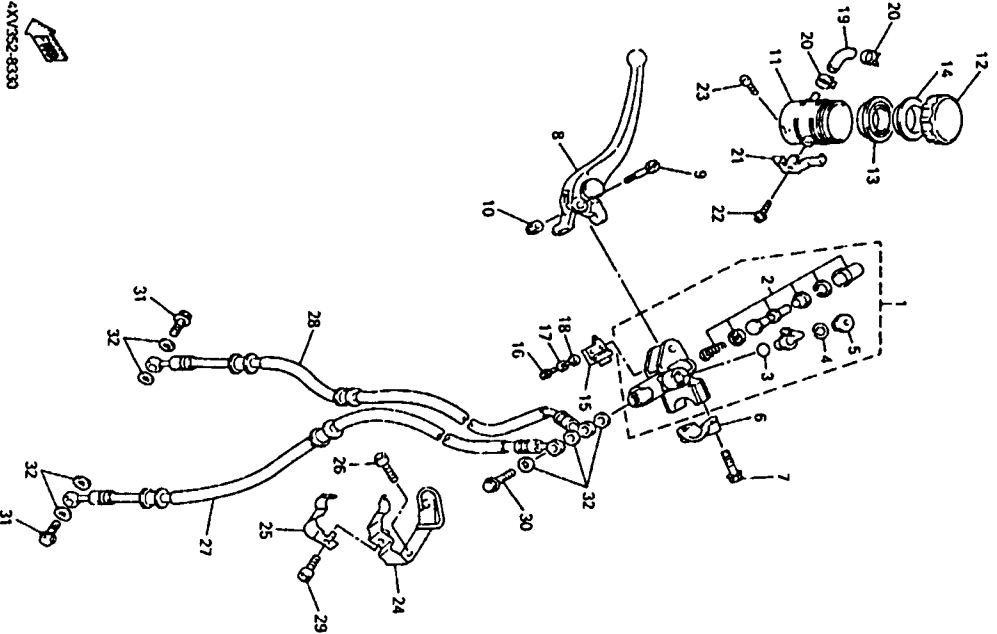
4A	CARBURETTOR	4A
B5-4	CLUTCH	B5-4
E3	COMING 1	E3
E18-12	COMING 2	E18-12
B6	CRANKCASE COVER 1	B6
B8-16	CRANKSHAFT - PISTON	B8-16
A5	CYLINDER	A5
F4-9	ELECTRICAL 1	F4-9
F16-11	ELECTRICAL 2	F16-11
B7	EXHAUST	B7
C4-9	FLYWHEEL	C4-9
F3	FLASHER LIGHT	F3
C6-7	FRAME	C6-7
D6	FRONT BRAKE CALIPER	D6
D3-4	FRONT FORK	D3-4
E2-3	FRONT MASTER CYLINDER	E2-3
D8	FRONT WHEEL	D8
D5-4	FUEL TANK	D5-4
F1	GENERATOR	F1
F7	HANDLE SWITCH - LEVER	F7
F3	HEADLIGHT	F3
F4	METER	F4
B3	METER	B3
B2	OIL CLEANER	B2
A12	RADIATOR	A12
C11-12	REAR ARM	C11-12
D12	REAR BRAKE CALIPER	D12
E7-4	REAR MASTER CYLINDER	E7-4
D1	REAR SUSPENSION	D1
D16-11	REAR WHEEL	D16-11
D7	SEAT	D7
C3	SHIFT CAM - FORK	C3
C4	SHIFT SHAFT	C4
C18	SIDE COVER	C18
E4-6	STAND - FOOTREST	E4-6
B11	STARTER	B11
F2	STARTING MOTOR	F2
D2	STEERING HANDLE - CABLE	D2
E1	TAILLIGHT	E1
F5	TAILLIGHT	F5
C3-3	THROTTLE/BRAKE VALVE	C3-3
A7-9	VALVE	A7-9
A16-11	WATER PUMP	A16-11

CONTINUED ON NEXT FRAME >



# FRONT MASTER CYLINDER

Ref. No.	Part Number	Description	Qty	Remarks
28	4XV-25873-00-00	HOSE, BRAKE 2	1	
29	91317-06010-00	BOLT	1	
30	90401-10160-00	BOLT, UNION	1	
31	90401-10172-00	BOLT, UNION	2	
32	90201-10118-00	WASHER, PLATE	7	



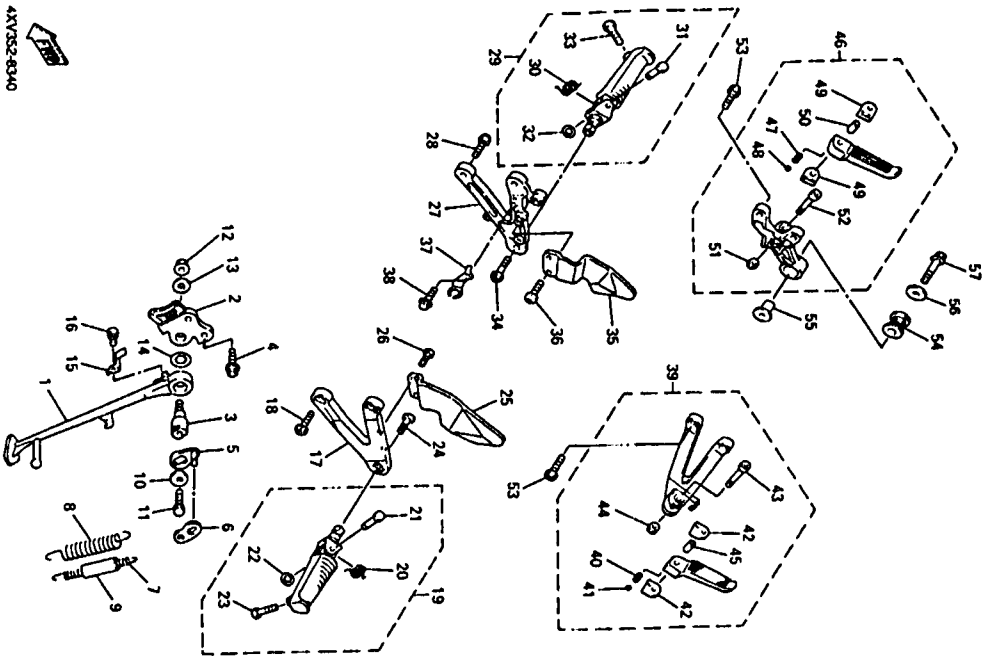
4XV252-83330

## CONTENTS

AS	CAMSHAFT - CHAIN
BS-4	CARBURETOR
B12-C1	CLUTCH
E9	CONVING 1
E16-12	CONVING 2
BB	CRANKCASE
B9-10	CRANKCASE COVER 1
AS	CRANKSHAFT - PISTON
AS	CYLINDER
AS	ELECTRICAL 1
F10-11	ELECTRICAL 2
FB-9	EXHAUST
FB-11	EXHAUST
FB-9	FLASHER LIGHT
FB-9	FRAME
FB-9	FRONT BRAKE CALIPER
FB-9	FRONT FORK
FB-9	FRONT MASTER CYLINDER
FB-9	FRONT WHEEL
FB-9	FUEL TANK
FB-9	GENERATOR
FB-9	HANDLE SWITCH - LEVER
FB-9	HEADLIGHT
FB-9	INTAKE
FB-9	METER
FB-9	OIL CLEANER
FB-9	OIL PUMP
FB-9	RADIATOR - HOSE
FB-9	REAR ARM
FB-9	REAR BRAKE CALIPER
FB-9	REAR MASTER CYLINDER
FB-9	REAR SUSPENSION
FB-9	REAR WHEEL
FB-9	SEAT
FB-9	SHIFT CAM - FORK
FB-9	SHIFT SHAFT
FB-9	SIDE COVER
FB-9	STAND - FOOTREST
FB-9	STARTER
FB-9	STARTING MOTOR
FB-9	STEERING HANDLE - CABLE
FB-9	TAILLIGHT
FB-9	TRANSMISSION
FB-9	VALVE
FB-9	WATER PUMP



# STAND - FOOTREST



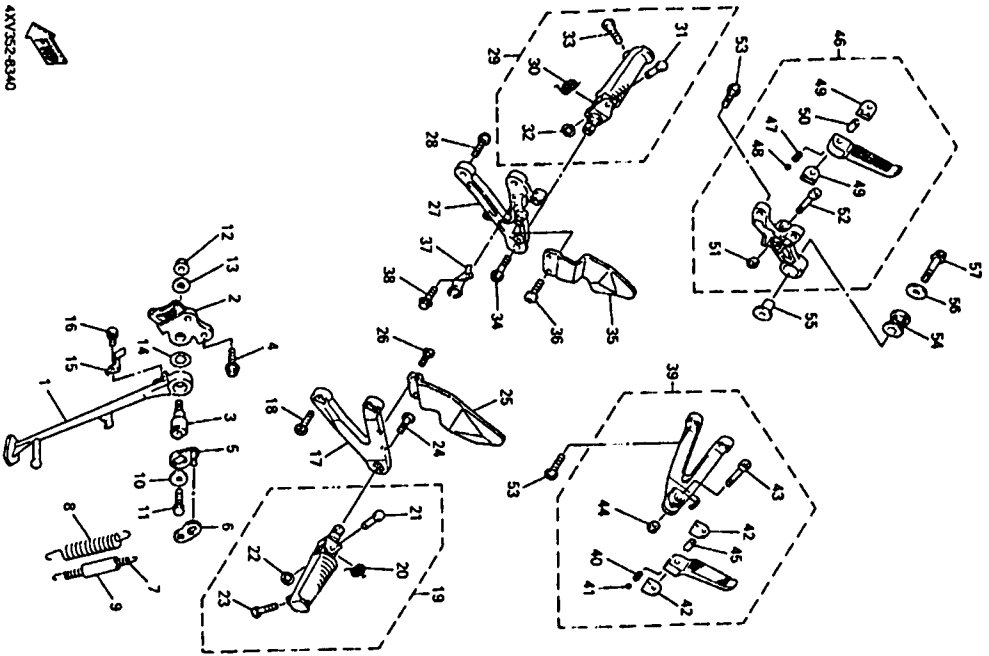
Ref. No.	Part Number	Description	Qty	Remarks
1	4XV-27311-00-00	STAND, SIDE	1	
2	4NX-27321-00-00	BRACKET, SIDE STAND	1	
3	4NX-27351-00-00	GUIDE, SIDE STAND	1	
4	90109-105G7-00	BOLT	1	
5	36Y-27352-00-00	HOOK, SIDE STAND	2	
6	36Y-27315-00-00	LINK, SIDE STAND	1	
7	90506-18224-00	SPRING, TENSION	1	
8	90506-26225-00	SPRING, TENSION	1	
9	17X-27351-00-00	GUIDE, SIDE STAND	1	
10	90201-081R9-00	WASHER, PLATE	1	
11	90101-08662-00	BOLT	1	
12	95607-10200-00	NUT, SELF-LOCKING	1	
13	90201-101J1-00	WASHER, PLATE	1	
14	90201-146F9-00	WASHER, PLATE	1	
15	4NX-27315-00-00	LINK, SIDE STAND	1	
16	90110-06226-00	BOLT, HEXAGON SOCKET HEAD	1	
17	4XV-27442-00-00	BRACKET 2	1	
18	90109-085G6-00	BOLT	2	
19	4XV-27410-00-00	FRONT FOOTREST ASSEMBLY (LEFT)	1	
20	90506-18389-00	SPRING, TORSION	1	
21	90243-08029-00	PHN	1	
22	90201-06042-00	WASHER, PLATE	1	
23	90109-083E0-00	BOLT	1	
24	90109-103A9-00	BOLT	1	
25	4XV-27445-00-00	PLATE 1	1	
26	90149-06233-00	SCREW	1	
27	4XV-27443-00-00	BRACKET 3	2	

CONTINUED ON NEXT FRAME >

## CONTENTS

CAMSHAFT - CHAIN	A9
CLAMP	B5-6
CLUTCH	B12 C1
CONVING 1	E9
CONVING 2	E16-12
CRANKCASE COVER 1	B8
CRANKCASE COVER 2	B5-10
CYLINDER	A4
ELECTRICAL 1	F8-9
ELECTRICAL 2	F16-11
EXHAUST	B7
FLASHER LIGHT	C8-9
FRONT BRAKE CALIPER	F3
FRONT FORK	C6-7
FRONT MASTER CYLINDER	D9
FRONT WHEEL	D3-3
FUEL TANK	D8
GENERATOR	D6-4
HANDLE SWITCH - LEVER	F1
HEADLIGHT	F7
METER	B4
METER	B3
METER	B2
METER	A12 B1
METER	C11-12
REAR BRAKE CALIPER	D12
REAR MASTER CYLINDER	E7-8
REAR SUSPENSION	D1
REAR WHEEL	D16-11
SEAT	D7
SMART CAM - FORK	C4
SMART SMART	C5
SOE COVER	C10
STAND - FOOTREST	E4-4
STARTER	B11
STARTING MOTOR	F2
STEERING HANDLE - CABLE	D2
TAILLIGHT	E1
TRANSMISSION	F6
VALVE	C2-3
WATER PUMP	A10-11

# STAND - FOOTREST



Part No.	Part Number	Description	Qty	Remarks
28	90109-085G6-00	BOLT	2	
29	4XV-27420-00-00	FRONT FOOTREST ASSEMBLY (RIGHT)	1	
30	90506-184B0-00	SPRNG, TORSION	1	
31	90243-08029-00	PIN	1	
32	90201-08042-00	WASHER, PLATE	1	
33	90109-083E0-00	BOLT	1	
34	90109-103A9-00	BOLT	1	
35	4XV-27446-00-00	PLATE 2	1	
36	90149-08233-00	SCREW	2	
37	3XV-21446-00-00	STAY, STOP SWITCH	1	
38	95807-06008-00	BOLT, FLANGE	1	
39	4XV-27430-00-00	REAR FOOTREST ASSEMBLY 1	1	
40	90501-12743-00	SPRNG, COMPRESSION	1	
41	93501-04011-00	BALL	1	
42	1HX-27437-00-00	WASHER, SPECIAL	2	
43	91314-08045-00	BOLT	1	
44	95804-08200-00	NUT, U FLANGE	1	
45	90387-064H8-00	COLLAR	1	
46	4XV-27440-00-00	REAR FOOTREST ASSEMBLY 2	1	
47	90501-12743-00	SPRNG, COMPRESSION	1	
48	93501-04011-00	BALL	1	
49	1HX-27437-00-00	WASHER, SPECIAL	2	
50	90387-064H8-00	COLLAR	1	
51	95804-08200-00	NUT, U FLANGE	1	
52	91314-08045-00	BOLT	1	
53	90109-085G6-00	BOLT	4	
54	38V-27424-00-00	DAMPER, FOOTREST 2	1	

CONTINUED ON NEXT FRAME >

## CONTENTS

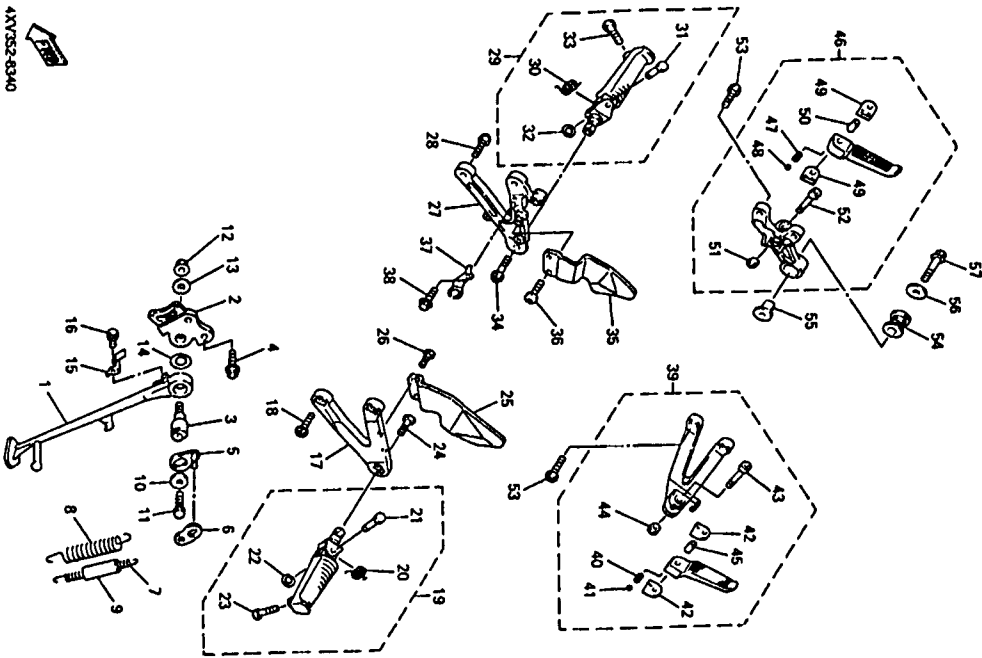
CAMSHAFT - CHAIN	A9
CARBURETOR	B5-6
CLUTCH	B12, C1
CONVULG 1	E10-12
CONVULG 2	E9
CRANKCASE	B8
CRANKCASE COVER 1	B9-10
CRANKSHAFT - PISTON	A6
CYLINDER	A5
ELECTRICAL 1	F9-9
ELECTRICAL 2	F9-11
EXHAUST	B7
FLUIDER	C9-9
FLASHER LIGHT	F3
FRAME	C6-7
FRONT BRAKE CALIPER	D9
FRONT FORK	D0-4
FRONT MASTER CYLINDER	E3-3
FRONT WHEEL	D8
FUEL TANK	D0-4
GENERATOR	F1
HANDLE SWITCH - LEVER	F7
HEADLIGHT	F5
INTAKE	B4
METER	F4
Oil CLEANER	B2
Oil PUMP	B2
RADIATOR - HOSE	A12, B1
REAR ARM	C1-1,2
REAR BRAKE CALIPER	D12
REAR MASTER CYLINDER	E7-4
REAR SUSPENSION	D1
REAR WHEEL	D9-11
SEAT	D7
SHIRT CAM - FORK	C4
SHIRT SHAFT	C3
SIDE COVER	C10
STAND - FOOTREST	E4-4
STARTER	B11
STARTING MOTOR	F2
STEERING HANDLE - CABLE	E1
TAILLIGHT	F5
TRANSMISSION	C2-3
VALVE	A7-4
WATER PUMP	A10-11

# STAND - FOOTREST

Ref. No.	Part Number	Description	Qty	Remarks
55	90387-10638-00	COLLAR	1	
56	90201-10669-00	WASHER, PLATE	1	
57	90109-10000-00	BOLT	1	

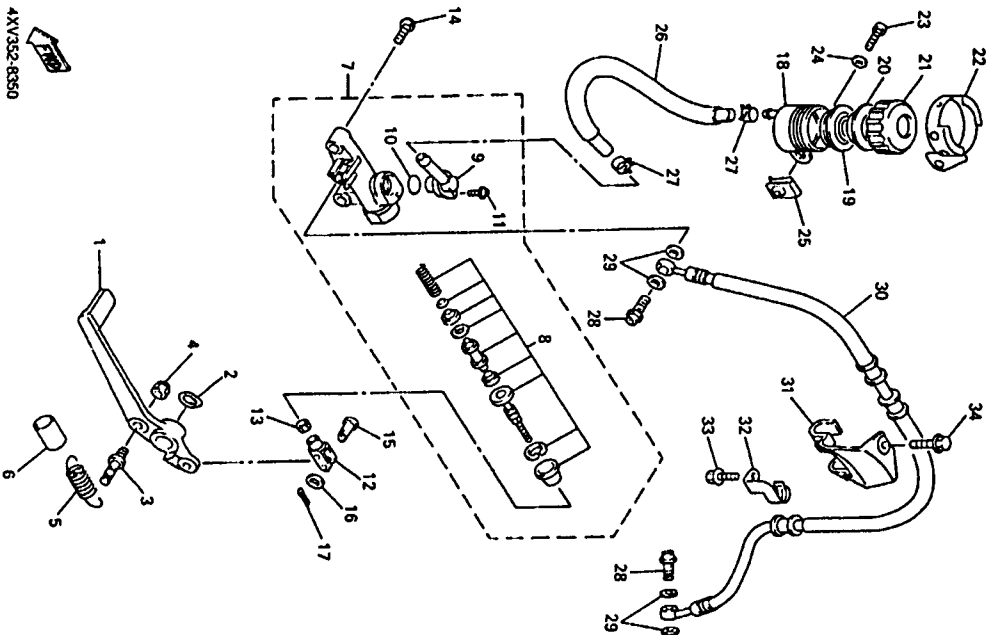
## CONTENTS

A9	CRANKSHAFT - CHAIN
B5-6	CARBURETOR
B12 C1	CLUTCH
E9	COUPLING 1
E10-12	COUPLING 2
B8	CRANKCASE
B9-10	CRANKCASE COVER 1
A6	CRANKSHAFT - PISTON
A5	CYLINDER
F8-9	ELECTRICAL 1
F10-11	ELECTRICAL 2
B7	EXHAUST
C8-9	FLASHER LIGHT
F3	FRAME
C6-7	FRAME BRAKE CALIPER
D9	FRONT BRAKE CALIPER
D3-4	FRONT FORK
E2-3	FRONT MASTER CYLINDER
D6	FRONT WHEEL
D5-6	FUEL TANK
F1	GENERATOR
F7	HANDLE SWITCH - LEVER
F5	HEADLIGHT
B4	METAL
F4	METER
B3	OIL CLEANER
B2	OIL PUMP
A12 B1	RADIATOR - HOSE
C11-12	REAR ARM
D12	REAR BRAKE CALIPER
E7-8	REAR MASTER CYLINDER
D1	REAR SUSPENSION
D10-11	REAR WHEEL
D7	SEAT
C4	SHIFT CAM - FORK
C5	SHIFT SHAFT
C10	SIDE COVER
E4-6	STAND - FOOTREST
B11	STARTER
F2	STARTING MOTOR
D2	STEERING HANDLE - CABLE
E1	TAILLIGHT
F6	TRANSMISSION
C2-3	VALVE
A7-8	WATER PUMP



4XV352-0340

# REAR MASTER CYLINDER



Ref. No.	Part Number	Description	Qty	Remarks
1	4XV-27211-00-00	PEDAL BRAKE	1	
2	90C206-17084-00	WASHER, WAVE	1	
3	3AUA-27813-00-00	PM, PEDAL CRANK	1	
4	95804-08100-00	NUT, U	1	
5	90606-20377-00	SPRING, TENSION	1	
6	90446-17346-00	HOSE	1	
7	3TU-2583V-01-00	RR. MASTER CYLINDER ASSEMBLY	1	
8	3TU-W0042-51-00	. CYLINDER KIT, MASTER	1	
9	3LN-2582A-00-00	. JOINT	1	
10	3LN-2585F-00-00	. O-RING	1	
11	3LN-2585H-00-00	. SCREW, SET	1	
12	4XV-27222-00-00	JOINT	1	
13	95307-08700-00	NUT	1	
14	92017-08030-00	BOLT, BUTTON HEAD	2	
15	91701-06018-00	PIN, CLEVIS	1	
16	92907-06200-00	WASHER	1	
17	91401-16012-00	PIN, COTTER	1	
18	31A-25894-01-00	TANK, RESERVOIR	1	
19	360-25854-01-00	DIAPHRAGM, RESERVOIR	1	
20	2GU-25855-00-00	BUSH, DIAPHRAGM	1	
21	2KF-25852-50-00	CAP, RESERVOIR	1	
22	3P-U-25888-00-00	COVER, RESERVOIR TANK	1	
23	98507-06020-00	SCREW, PAN HEAD	1	
24	92907-06800-00	WASHER, PLATE	1	
25	90183-06053-00	NUT, SPRING	1	
26	4XV-25895-00-00	HOSE, RESERVOIR	1	
27	90467-14057-00	CLIP	2	
28	90401-10172-00	BOLT, UNION	2	

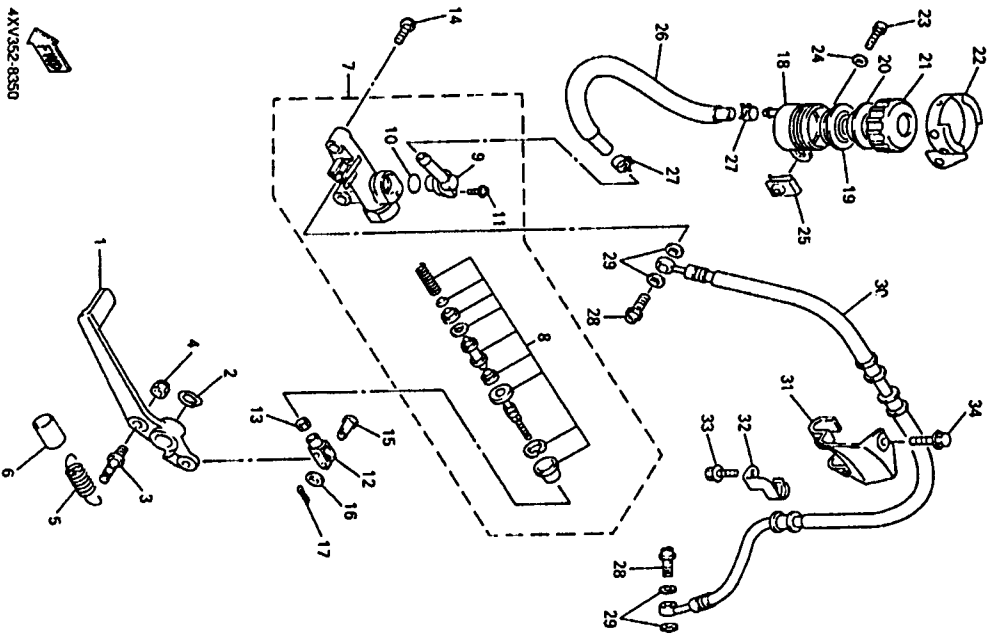
CONTINUED ON NEXT FRAME >

## CONTENTS

CARBURETOR	A9
CLUTCH	B5-6
COMING 1	B12 C1
COMING 2	E9
CRANKCASE	E10-12
CRANKCASE COVER 1	B8
CRANKSHAFT - PISTON	B9-10
CYLINDER	A6
ELECTRICAL 1	A5
ELECTRICAL 2	FB-9
EXHAUST	F10-11
FLASHER LIGHT	B7
FRAME	CB-9
FRONT BRAKE CALIPER	F3
FRONT FORK	CB-7
FRONT MASTER CYLINDER	D9
FUEL TANK	D2-4
GENERATOR	E23
HANDLE SWITCH - LEVER	D8
HEADLIGHT	D5-6
INTAKE	F1
METER	F7
METER	F4
OIL CLEANSER	B4
RADIATOR - HOSE	F4
REAR ARM	B2
REAR BRAKE CALIPER	A12 B1
REAR MASTER CYLINDER	C11-12
REAR SUSPENSION	D12
REAR WHEEL	D1
SEAT	D10-11
SHIRT CAM - FORK	D7
SHIRT SHAFT	C4
SIDE COVER	C3
STAND - FOOTREST	C10
STARTER	E4-8
STARTING MOTOR	B11
STEERING HANDLE - CABLE	F2
TAILLIGHT	D2
TRANSMISSION	E1
VALVE	CS3
WATER PUMP	A7-8
	A10-11

# REAR MASTER CYLINDER

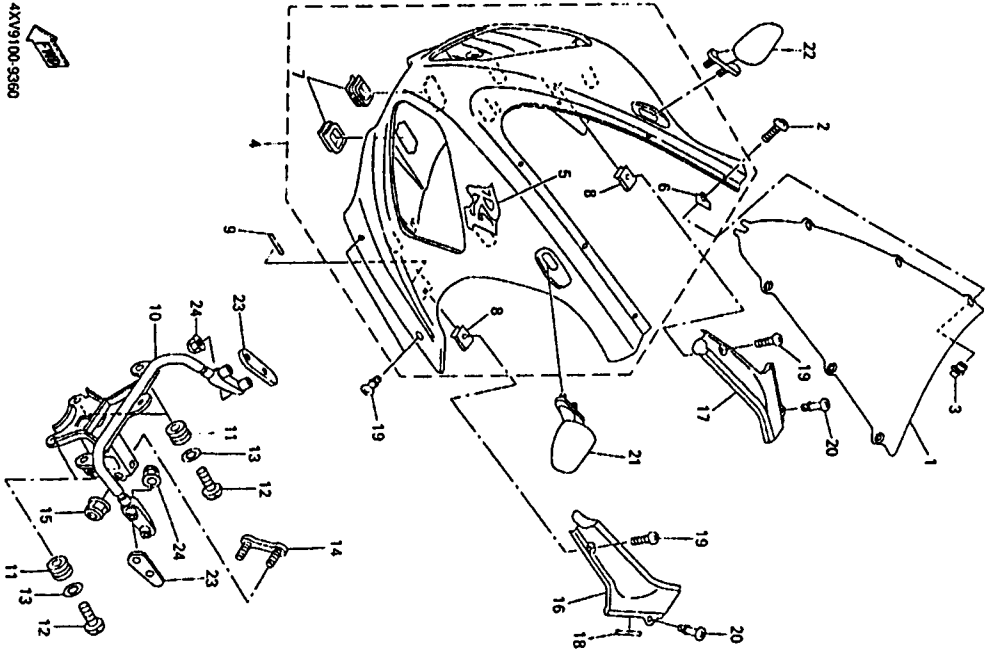
Part No.	Part Number	Description	Qty	Remarks
29	90201-10118-00	WASHER, PLATE .....	4	
30	4XV-25874-00-00	HOSE, BRAKE .....	1	
31	4XV-25886-00-00	HOLDER, BRAKE HOSE .....	1	
32	4FM-25876-00-00	HOLDER, BRAKE HOSE 2 .....	1	
33	95027-06010-00	BOLT, FLANGE .....	1	
34	90119-06052-00	BOLT, WITH WASHER .....	1	



## CONTENTS

CAMSHAFT - CHAIN	A9
CARBURETOR	B5-6
CLUTCH	B12 C1
CONV LING 1	E9
CONV LING 2	E10-12
CRANKCASE	B8
CRANKCASE COVER 1	B9-10
CRANKSHAFT - PISTON	A6
CYLINDER	A5
ELECTRICAL 1	F9-9
ELECTRICAL 2	F10-11
EXHAUST	B7
FENDER	C9-9
FLASHER LIGHT	F3
FRAME	C5-7
FRONT BRAKE CALIPER	D9
FRONT FORK	D0-4
FRONT MASTER CYLINDER	E2-3
FRONT WHEEL	D8
FUEL TANK	D6-6
GENERATOR	F1
HANDLE SWITCH - LEVER	F7
HEADLIGHT	F5
INTAKE	B4
METER	F4
OIL CLEANSER	B3
OIL PUMP	B2
RADIATOR - HOSE	A12 B1
REAR ARM	C11-12
REAR BRAKE CALIPER	D12
REAR MASTER CYLINDER	E7-8
REAR SUSPENSION	D1
REAR WHEEL	D10-11
SEAT	D7
SHIRT CAM - FORK	C4
SHIRT SHAFT	C5
SIDE COVER	C10
STAND - FOOTREST	E4-4
STARTER	B11
STARTING MOTOR	D2
STEERING HANDLE - CABLE	E1
TAILLIGHT	F6
TRANSMISSION	C3
VALVE	A7-8
WATER PUMP	A10-11

The colors indicated are for 99 model paint scheme only.



### COWLING 1

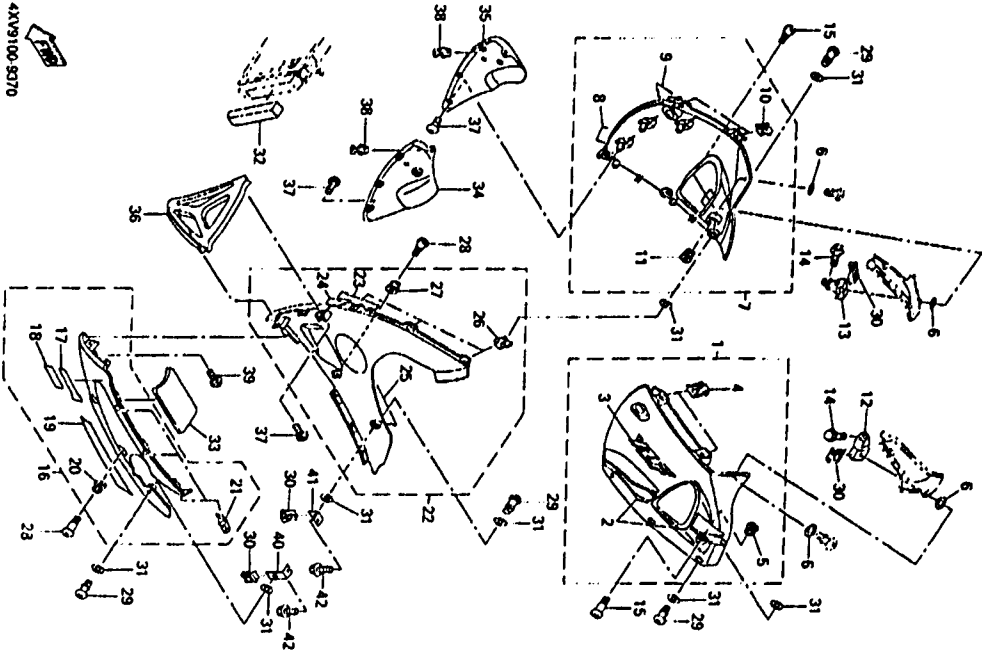
Ref. No.	Part Number	Description	Qty	Remarks
1	4XY-28381-10-00	WINDSHIELD	1	
2	90150-05023-00	SCREW, ROUND HEAD	6	
3	90179-05523-00	NUT	6	
4	4XY-Y283G-20-2X	BODY, FRONT UPPER 1	6	UR VRC1B12
5	4XY-Y283G-30-1X	BODY, FRONT UPPER 1	1	UR DPBMC
6	4XY-28315-10-00	EMBLEM	1	UR FOR VRC1B12
7	4FM-2834H-00-00	PROTECTOR 2	1	
8	90183-05074-00	CAP	2	
9	4XY-2834E-00-00	NUT, SPRING	2	
10	4XY-2835E-00-00	DAMPER	2	
11	4XY-83513-00-00	STAY 1	1	
12	97707-50016-00	DAMPER	4	
13	90201-05032-00	SCREW, TAPPING	4	
14	4XY-28336-00-00	WASHER, PLATE	4	
15	95807-08200-00	PLATE	1	
16	4XY-2837L-00-00	NUT, SELF-LOCKING	2	
17	4XY-2837M-00-00	PANEL, CONSOLE 1	1	
18	4EU-24141-00-00	PANEL, CONSOLE 2	1	
19	90154-05013-00	PROTECTOR, FUEL TANK	2	
20	3XY-28386-00-00	SCREW, BINDING	2	
21	4YR-28280-01-00	HEAD	6	
22	4YR-26280-01-00	REAR VIEW MIRROR ASSEMBLY (LEFT)	1	
23	4SV-26298-00-00	REAR VIEW MIRROR ASSEMBLY (RIGHT)	1	
24	90176-05055-00	PLATE, MIRROR FITTING 1	2	
		NUT, CROWN	4	

### CONTENTS

CAMSHAFT - CHAIN	A9
CLUTCH	B4-6
CLUTCH 1	B12 C1
CONTING 1	E10-E12
CONTING 2	B8
CRANKCASE COVER 1	B9-10
CRANKSHAFT - PISTON	A6
CYLINDER	A5
ELECTRICAL 1	F8-9
ELECTRICAL 2	F10-11
EXHAUST	B7
FLASHER LIGHT	C8-9
FLAME	C6-7
FRONT BRAKE CALIPER	D9
FRONT FORK	D3-4
FRONT MASTER CYLINDER	E2-3
FUEL TANK	D8
FUEL TANK	D5-8
GENERATOR	F1
HANDLE SWITCH - LEVER	F7
HEADLIGHT	F5
IGNITION	F4
LETTER	B4
METER	F4
OIL CLEANER	B2
OIL TANK	A12-B1
PISTON - HOSE	C11-12
REAR ARM	D12
REAR BRAKE CALIPER	E7-8
REAR MASTER CYLINDER	D1
REAR SUSPENSION	D10-11
REAR WHEEL	D7
SHIFT CAM - FORK	C3
SHIFT SHAFT	C4
SIDE COVER	C10
STAND - FOOTREST	E4-6
STARTER	B11
STARTING MOTOR	F2
STEERING HANDLE - CABLE	D2
TAILLIGHT	E1
TRANSMISSION	F6
VALVE	C2-3
VALVE	A7-8
WATER PUMP	A10-11

The colors indicated are for 99 model paint scheme only.

YZR11L



## COWLING 2

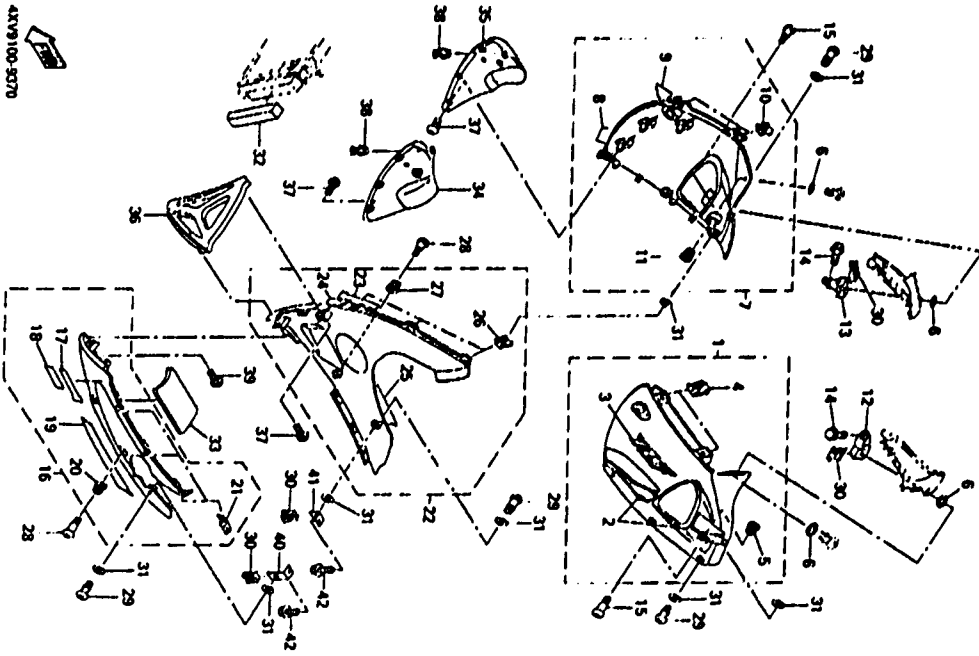
Ref. No.	Part Number	Description	Qty	Remarks
1	4XY-Y283U-20-0X	PANEL ASSEMBLY 1	1	UR VINC1/B2
	4XY-Y283U-30-P1	PANEL ASSEMBLY 1	1	UR DPBMC
2	4XY-28301-00-00	GRAPHIC SET, LOWER COVER 1	1	UR FOR VINC1/B2
	4XY-28301-10-00	GRAPHIC SET, LOWER COVER 1	1	UR FOR DPBMC
3	4XY-2839H-00-00	EMBLEM 1	1	UR FOR VINC1/B2
	4XY-2839H-10-00	EMBLEM 1	1	UR FOR DPBMC
4	4XY-2177L-00-00	PLATE, SPRING	2	UR FOR DPBMC
5	90480-13398-00	GROMMET	2	
6	2TK-21757-00-00	WASHER, SPECIAL 1	12	UR VINC1/B2
7	4XY-Y283V-20-0X	PANEL ASSEMBLY 2	1	UR DPBMC
	4XY-Y283V-30-P1	PANEL ASSEMBLY 2	1	UR VINC1/B2
8	4XY-28303-00-00	GRAPHIC SET, LOWER COVER 2	1	UR DPBMC
	4XY-28303-10-00	GRAPHIC SET, LOWER COVER 2	1	UR FOR VINC1/B2
9	4XY-2839H-00-00	EMBLEM 1	1	UR FOR DPBMC
	4XY-2839H-10-00	EMBLEM 1	1	UR FOR VINC1/B2
10	4XY-2177L-00-00	PLATE, SPRING	1	UR FOR DPBMC
11	90480-13398-00	GROMMET	2	
12	4XY-2835A-00-00	BRACKET 1	1	
13	4XY-2835E-00-00	BRACKET 2	1	
14	90119-06052-00	BOLT, WITH WASHER	2	
15	90150-08036-00	SCREW, ROUND HEAD	2	
16	4XY-Y2808-20-P2	COVER ASSEMBLY, UNDER COVER	1	UR BWC1
	4XY-Y2808-30-P1	COVER ASSEMBLY, UNDER COVER	1	UR DPBMC
17	4XY-28328-20-00	EMBLEM	1	UR FOR BWC1
	4XY-28328-30-00	EMBLEM	1	UR FOR DPBMC
18	4XY-28338-20-00	EMBLEM	1	UR FOR BWC1

CONTINUED ON NEXT FRAME >

## CONTENTS

Part No.	Part Name
A9	CAMSHAFT - CHAIN
B6-4	CABLE/RETOR
B12 C1	CLUTCH
E9	COWLING 1
E9-12	COWLING 2
B6	CHAMBER CASE
B6-70	CHAMBER CASE COVER 1
A6	CHAMBER CASE - PISTON
A5	CYLINDER
F8-9	ELECTRICAL 1
B7	ELECTRICAL 2
C2-9	EXHAUST
F7	FLASHER LIGHT
C2-7	FRAME
D6	FRONT BRAKE CALIPER
D0-4	FRONT FORK
E2-3	FRONT MASTER CYLINDER
D8	FRONT WHEEL
D0-4	FUEL TANK
F1	GENERATOR
F7	HANDOUT SWITCH - LEVER
F5	HEADLIGHT
B4	METER
B2	OK CLEANER
A12 B1	RADIATOR - NOSE
C11-12	REAR ARM
D12	REAR BRAKE CALIPER
E7-4	REAR MASTER CYLINDER
D1	REAR SUSPENSION
D6-11	REAR WHEEL
D7	SEAT
C4	SHORT CARM - PORK
C3	SHORT SNUIT
C8	SOE COVER
E4-4	STAND - FOOTREST
B11	STARTER
F2	STARTING MOTOR
D2	STEERING HANDLE - CABLE
E1	TAILLIGHT
F5	TRANSMISSION
C2-3	VALVE
A7-4	WATER PUMP
A9-11	

E10



## COWLING 2

Part No.	Part Number	Description	Qty	Remarks
18	4XY-28338-30-00	EMBLEM	1	UR FOR DFBMC
19	4XY-2153E-00-00	EMBLEM, YAMAHA	1	UR FOR DFBMC
20	90480-13398-00	EMBLEM, YAMAHA	1	UR FOR BWC1
21	4XY-2177L-00-00	GROMMET	1	
22	4XY-12809-40-P1	PLATE, SPRING	3	
23	4XY-12809-50-P2	COVER ASSEMBLY 2, UNDER	1	UR DFBMC
24	4XY-28328-30-00	COVER ASSEMBLY 2, UNDER	1	UR BWC1
25	4XY-28328-30-00	EMBLEM	1	UR FOR BWC1
26	4XY-28338-30-00	EMBLEM	1	UR FOR DFBMC
27	99231-00280-00	EMBLEM	1	UR FOR BWC1
28	99234-00280-00	EMBLEM, YAMAHA	1	UR FOR DFBMC
29	4XY-2177L-00-00	EMBLEM, YAMAHA	1	UR FOR BWC1
30	90480-13398-00	PLATE, SPRING	3	
31	90150-08028-00	SCREW, ROUND HEAD	1	
32	3XY-28306-00-00	HEAD	2	
33	4XY-2177L-00-00	PLATE, SPRING	8	
34	2TK-21757-00-00	WASHER, SPECIAL 1	4	
35	4SY-28371-00-00	DAMPENER	16	
36	4XY-2848K-00-00	SEAT 2	1	
37	4XY-2838K-00-P1	PANEL, INNER 1	1	DFBMC
38	4XY-2838K-00-P2	PANEL, INNER 2	1	VRC1
39	4XY-2838K-00-P1	PANEL, INNER 2	1	DFBMC
40	4XY-2838K-00-P2	PANEL, INNER 2	1	VRC1
41	4XY-2838K-00-P1	PANEL, INNER 3	1	DFBMC
42	4XY-2838K-00-P2	PANEL, INNER 3	1	BWC1
43	91704-40012-00	SCREW, TAPPING	8	
44	90289-07077-00	RIVET	2	

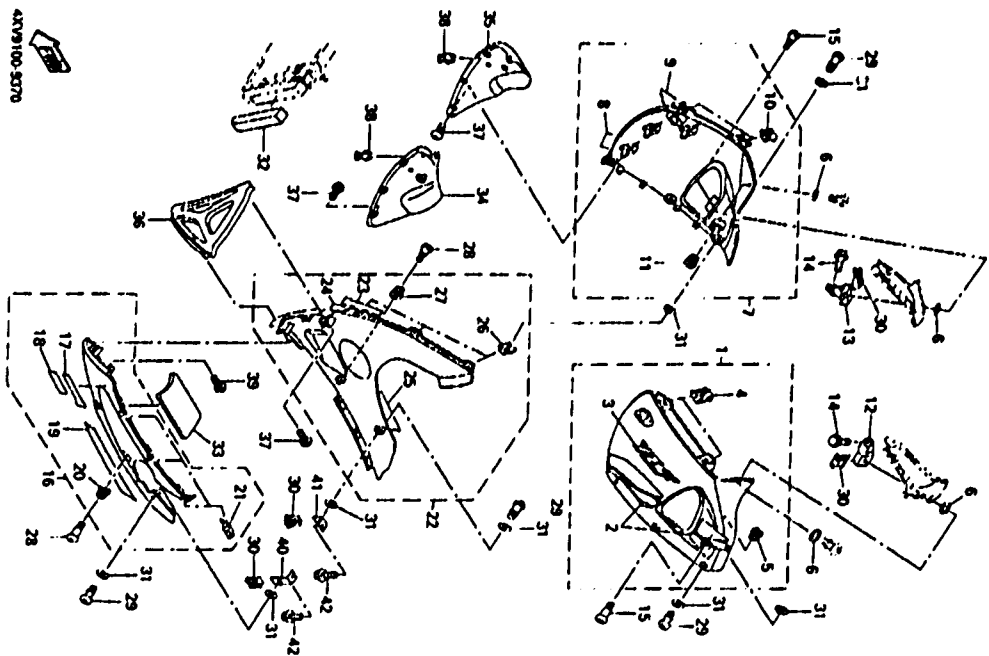
CONTINUED ON NEXT FRAME ▶

## CONTENTS

45	CAMSHAFT - CRANK	A5
46	CLUTCH	B4-5
47	COWLING 1	B12 C1
48	COWLING 2	E9
49	CHARCASS COVER 1	E10-12
50	CAMSHAFT - PISTON	B6
51	CYLINDER	B5-18
52	ELECTRICAL 1	A4
53	ELECTRICAL 2	A5
54	EXHAUST	F8-9
55	FLASHER LIGHT	B7
56	FRAME	C4-9
57	FRONT BRAKE CALIPER	F3
58	FRONT FORK	C4-7
59	FRONT MASTER CYLINDER	D9
60	FUEL TANK	D0-4
61	GENERATOR	E2-3
62	HANDLE SWITCH - LEVER	D8
63	HEADLIGHT	D6-6
64	IGNITION	F1
65	METER	F5
66	METER	F4
67	OE CLEANER	B3
68	RADIATOR - HOSE	A12 B1
69	REAR AXLE	CT1-12
70	REAR BRAKE CALIPER	D12
71	REAR MASTER CYLINDER	E7-8
72	REAR SUSPENSION	D1
73	SEAT	D7-11
74	SHIFT CABLE - FORK	D4
75	SHIRT SWAIT	C4
76	SIDE COVER	C5
77	STAND - FOOTREST	C9
78	STARTER	E4-6
79	STARTING MOTOR	B11
80	STEERING MOTOR	F2
81	STEERING HANDLE - CABLE	D2
82	TAILLIGHT	E1
83	THROTTLE	C3
84	VALVE	A7-8
85	WATER PUMP	A6-11



The colors indicated are for 99 model paint scheme only.



## COWLING 2

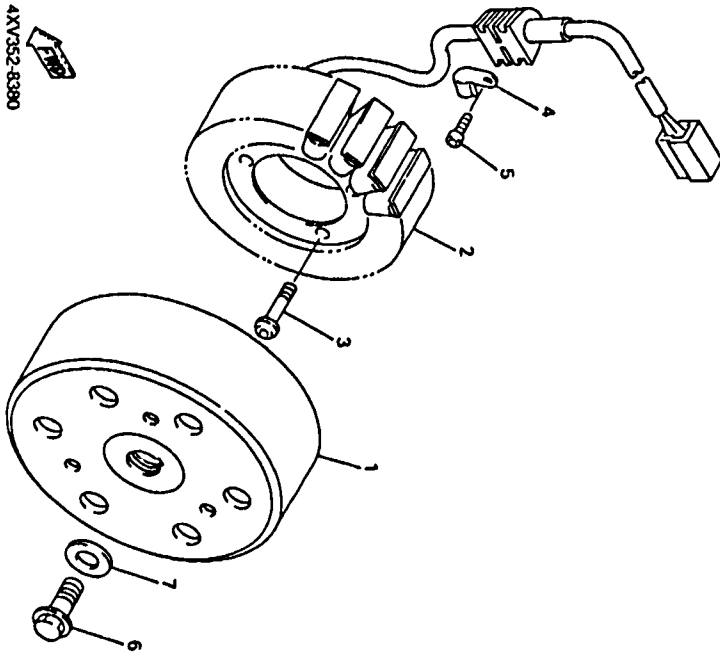
Part No.	Part Number	Description	Qty	Remarks
39	97707-50016-00	SCREW, TAPPING	3	
40	4XV-2838F-00-00	BRACKET 3	1	
41	4XV-2838G-00-00	BRACKET 4	1	
42	95807-08012-00	BOLT, FLANGE	2	

## CONTENTS

A4	CAUSHAFT - CHAIR
B6-C1	CLUTCH
B12-C1	CLUTCH
E3	COVER 1
E18-12	COVER 2
B6-18	CRANKCASE
M	CRANKCASE COVER 1
A5	CRANKSHAFT - PISTON
AS	CYLINDER
FB-9	ELECTRICAL 1
FB-11	ELECTRICAL 2
B7	EXHAUST
CB-9	FENDER
CB-7	FLASHER LIGHT
DB	FRAME
DB-4	FRONT BRAKE CALIPER
E3-3	FRONT FORK
DB	FRONT MASTER CYLINDER
DB	FRONT WHEEL
DB-4	FUEL TANK
F1	GENERATOR
F7	HANDLE SWITCH - LEVER
F3	HEADLIGHT
B4	INTAKE
F4	METER
B2	ON, CLEANER
A12-B1	RADIATOR - HOSE
CT-12	REAR ARM
D12	REAR BRAKE CALIPER
E7-4	REAR MASTER CYLINDER
D1	REAR SUSPENSION
D18-11	REAR WHEEL
D7	SEAT
C4	SHIRT CAP - FORK
CS	SHIRT SHAFT
C18	SIDE COVER
E4-4	STAND - FOOTREST
B11	STARTER
F2	STARTING MOTION
D2	STEERING
E1	STEERING HANDLE - CABLE
CS-3	TALLIGHT
A7-4	TRANSMISSION
A10-11	VALVE
	WATER PUMP

# GENERATOR

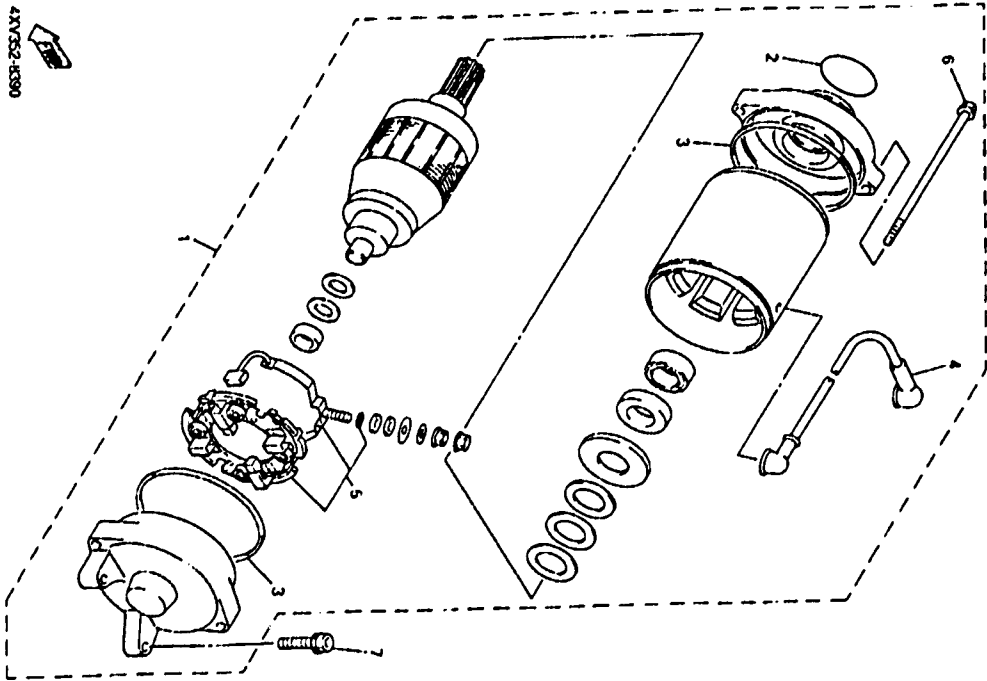
Part No.	Part Number	Description	Qty	Remarks
1	4XV-91450-00-00	ROTOR ASSEMBLY	1	
2	4XV-81410-00-00	STATOR ASSEMBLY	1	
3	82017-06030-00	BOLT, BUTTOM HEAD	3	
4	90482-10182-00	CLAMP	1	
5	91317-06012-00	BOLT	1	
6	90105-10546-00	BOLT, WASHER BASED	1	
7	90201-10347-00	WASHER, PLATE	1	



# CONTENTS

AA	CAMSHAFT - CHAIN
BB	CLUTCH
B12	COWLING 1
CB	COWLING 2
CK-12	CRANKCASE
DB	CRANKCASE COVER 1
DB-18	CRANKSHAFT - PISTON
DC	CYLINDER
DE	ELECTRICAL 1
DE-11	ELECTRICAL 2
DF	EXHAUST
DF-11	FLASHER LIGHT
DF-12	FLASHER LIGHT
DF-13	FLASHER LIGHT
DF-14	FRONT BRAKE CALIPER
DF-15	FRONT FORK
DF-16	FRONT MASTER CYLINDER
DF-17	FRONT WHEEL
DF-18	FUEL TANK
DF-19	GENERATOR
DF-20	HEADLIGHT
DF-21	HEADLIGHT SWITCH - LEVER
DF-22	METER
DF-23	OIL CLEANER
DF-24	RADIATOR - NOSE
DF-25	REAR AXLE
DF-26	REAR BRAKE CALIPER
DF-27	REAR MASTER CYLINDER
DF-28	REAR SUSPENSION
DF-29	SEAT WHEEL
DF-30	SEAT CAM - FRONT
DF-31	SEAT CAM - REAR
DF-32	SEAT COVER
DF-33	SEAT COVER
DF-34	STAND - FOOTREST
DF-35	STARTER
DF-36	STARTING MOTOR
DF-37	STEERING HANDLE - CABLE
DF-38	TAILLIGHT
DF-39	TRANSMISSION
DF-40	VALVE
DF-41	WATER PUMP

# STARTING MOTOR

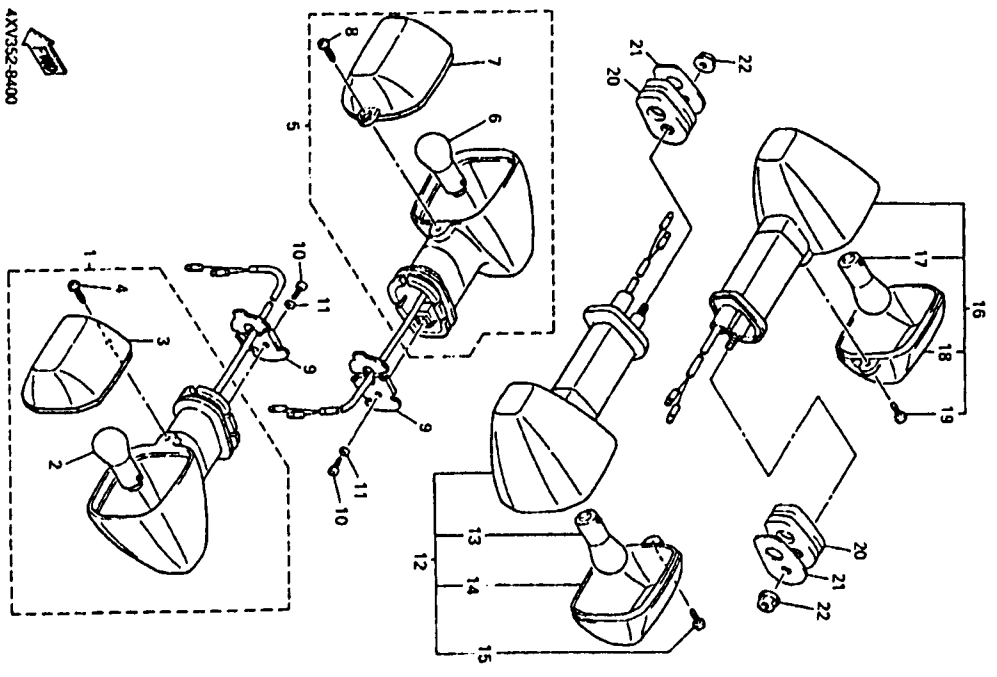


Part Number	Description	Qty	Remarks
1 4XV-81800-00-00	STARTING MOTOR ASSEMBLY	1	
2 1FK-81847-00-00	O-RING	1	
3 11H-81844-00-00	GASKET	2	
4 4XV-81815-00-00	CORD, STARTER MOTOR	1	
5 3AJ-81801-00-00	BRUSH SET	1	
6 3AJ-81826-00-00	BOLT	2	
7 95027-08025-00	BOLT, FLANGE	2	

## CONTENTS

Part Number	Component Name
49	CLASSPART - CHAIN
85-4	CLUTCH
812 L31	COMMAND 1
E3	COMMAND 2
818-12	COMMAND 3
86	COMMAND CASE COVER 1
85-96	COMMAND CASE COVER 2
85-96	COMMAND CASE COVER 3
85	COMMAND CASE COVER 4
85-96	COMMAND CASE COVER 5
85-96	COMMAND CASE COVER 6
85-96	COMMAND CASE COVER 7
85-96	COMMAND CASE COVER 8
85-96	COMMAND CASE COVER 9
85-96	COMMAND CASE COVER 10
85-96	COMMAND CASE COVER 11
85-96	COMMAND CASE COVER 12
85-96	COMMAND CASE COVER 13
85-96	COMMAND CASE COVER 14
85-96	COMMAND CASE COVER 15
85-96	COMMAND CASE COVER 16
85-96	COMMAND CASE COVER 17
85-96	COMMAND CASE COVER 18
85-96	COMMAND CASE COVER 19
85-96	COMMAND CASE COVER 20
85-96	COMMAND CASE COVER 21
85-96	COMMAND CASE COVER 22
85-96	COMMAND CASE COVER 23
85-96	COMMAND CASE COVER 24
85-96	COMMAND CASE COVER 25
85-96	COMMAND CASE COVER 26
85-96	COMMAND CASE COVER 27
85-96	COMMAND CASE COVER 28
85-96	COMMAND CASE COVER 29
85-96	COMMAND CASE COVER 30
85-96	COMMAND CASE COVER 31
85-96	COMMAND CASE COVER 32
85-96	COMMAND CASE COVER 33
85-96	COMMAND CASE COVER 34
85-96	COMMAND CASE COVER 35
85-96	COMMAND CASE COVER 36
85-96	COMMAND CASE COVER 37
85-96	COMMAND CASE COVER 38
85-96	COMMAND CASE COVER 39
85-96	COMMAND CASE COVER 40
85-96	COMMAND CASE COVER 41
85-96	COMMAND CASE COVER 42
85-96	COMMAND CASE COVER 43
85-96	COMMAND CASE COVER 44
85-96	COMMAND CASE COVER 45
85-96	COMMAND CASE COVER 46
85-96	COMMAND CASE COVER 47
85-96	COMMAND CASE COVER 48
85-96	COMMAND CASE COVER 49
85-96	COMMAND CASE COVER 50
85-96	COMMAND CASE COVER 51
85-96	COMMAND CASE COVER 52
85-96	COMMAND CASE COVER 53
85-96	COMMAND CASE COVER 54
85-96	COMMAND CASE COVER 55
85-96	COMMAND CASE COVER 56
85-96	COMMAND CASE COVER 57
85-96	COMMAND CASE COVER 58
85-96	COMMAND CASE COVER 59
85-96	COMMAND CASE COVER 60
85-96	COMMAND CASE COVER 61
85-96	COMMAND CASE COVER 62
85-96	COMMAND CASE COVER 63
85-96	COMMAND CASE COVER 64
85-96	COMMAND CASE COVER 65
85-96	COMMAND CASE COVER 66
85-96	COMMAND CASE COVER 67
85-96	COMMAND CASE COVER 68
85-96	COMMAND CASE COVER 69
85-96	COMMAND CASE COVER 70
85-96	COMMAND CASE COVER 71
85-96	COMMAND CASE COVER 72
85-96	COMMAND CASE COVER 73
85-96	COMMAND CASE COVER 74
85-96	COMMAND CASE COVER 75
85-96	COMMAND CASE COVER 76
85-96	COMMAND CASE COVER 77
85-96	COMMAND CASE COVER 78
85-96	COMMAND CASE COVER 79
85-96	COMMAND CASE COVER 80
85-96	COMMAND CASE COVER 81
85-96	COMMAND CASE COVER 82
85-96	COMMAND CASE COVER 83
85-96	COMMAND CASE COVER 84
85-96	COMMAND CASE COVER 85
85-96	COMMAND CASE COVER 86
85-96	COMMAND CASE COVER 87
85-96	COMMAND CASE COVER 88
85-96	COMMAND CASE COVER 89
85-96	COMMAND CASE COVER 90
85-96	COMMAND CASE COVER 91
85-96	COMMAND CASE COVER 92
85-96	COMMAND CASE COVER 93
85-96	COMMAND CASE COVER 94
85-96	COMMAND CASE COVER 95
85-96	COMMAND CASE COVER 96
85-96	COMMAND CASE COVER 97
85-96	COMMAND CASE COVER 98
85-96	COMMAND CASE COVER 99
85-96	COMMAND CASE COVER 100

# FLASHER LIGHT



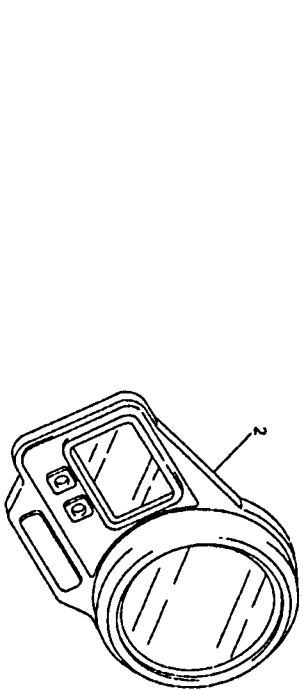
No.	Part Number	Description	Qty	Remarks
1	4JH-83310-11-00	BIG FRONT FLASHER LIGHT ASSEMBLY 1	1	
2	256-84714-61-00	BULB (12V-27W)	1	
3	4JH-83332-10-00	LENS, FLASHER	1	
4	97702-40610-00	SCREW, TAPPING	1	
5	4JH-83320-11-00	FRONT FLASHER LIGHT ASSEMBLY 2	1	
6	256-84714-61-00	BULB (12V-27W)	1	
7	4JH-83342-10-00	LENS, FLASHER 2	1	
8	97702-40610-00	SCREW, TAPPING	1	
9	4JH-83318-00-00	STAY, FLASHER 1	1	
10	96507-04008-00	SCREW, PAN HEAD (+)	2	
11	92907-04600-00	WASHER	2	
12	4JH-83300-20-00	REAR FLASHER LIGHT ASSEMBLY 1	1	
13	256-83311-70-00	BULB (12V-27W)	1	
14	4JH-83332-10-00	LENS, FLASHER	1	
15	97702-40610-00	SCREW, TAPPING	1	
16	4JH-83340-20-00	FLASHER LIGHT ASSEMBLY 2	1	
17	256-83311-70-00	BULB (12V-27W)	1	
18	4JH-83342-10-00	LENS, FLASHER 2	1	
19	97702-40610-00	SCREW, TAPPING	1	
20	4FMA-83345-00-00	PLUG, BLIND	2	
21	4FMA-83369-00-00	STAY, FLASHER 2	2	
22	95707-06500-00	NUT, FLANGE	2	

## CONTENTS

CAKSHAFT - CHAIN	A9
CARBURETOR	B5-6
CLUTCH	B12 C1
COWLING 1	E9
COWLING 2	E10-12
CRANKCASE	B8
CRANKCASE COVER 1	B9-10
CRANKSHAFT - PISTON	A5
CYLINDER	A5
ELECTRICAL 1	F8-9
ELECTRICAL 2	F10-11
EXHAUST	B7
FLASHER LIGHT	C8-9
FLASHER LIGHT	F3
FRAME	C6-7
FRONT BRAKE CALIPER	D9
FRONT FORK	D1-4
FRONT MASTER CYLINDER	E2-3
FRONT WHEEL	D8
FUEL TANK	D5-6
GENERATOR	F1
HANDLE SWITCH - LEVER	F7
HEADLIGHT	F5
HEADLIGHT	F4
METER	B4
METER	B3
OIL CLEANER	B2
RADIATOR - HOSE	A12 B1
REAR ARM	C11-12
REAR BRAKE CALIPER	D12
REAR MASTER CYLINDER	E7-8
REAR SUSPENSION	D1
REAR WHEEL	D10-11
SEAT	D7
SHIRT CAM - FORK	C4
SHIRT SHAFT	C5
SIDE COVER	C10
STAND - FOOTREST	E4-6
STARTER	B11
STARTING MOTOR	F2
STEERING HANDLE - CABLE	D2
STEERING HANDLE - CABLE	E1
TAILLIGHT	F5
TRANSMISSION	C2-3
VALVE	A7-8
WATER PUMP	A10-11

4XV352-8400

# METER

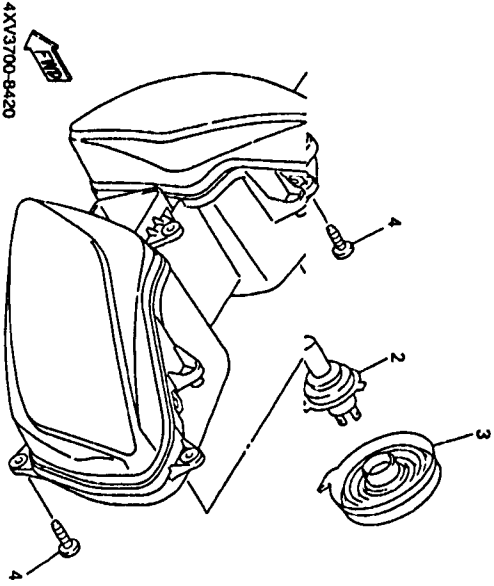
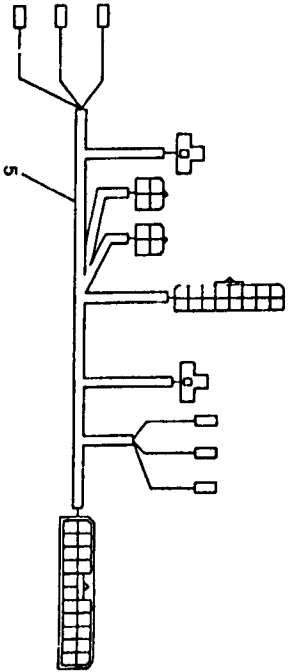


Ref. No.	Part Number	Description	Qty	Remarks
1	4XV-83570-20-00	SPEEDOMETER ASSEMBLY ..	1	
2	4XV-8353E-00-00	CASE, METER UPPER .....	1	
3	4XV-83572-00-00	CASE, SPEEDOMETER LOWER ..	1	
4	97707-40020-00	SCREW, TAPPING .....	4	
5	4YR-83334-00-00	SOCKET, NEUTRAL .....	2	
6	4YR-83517-10-00	BULB (12V/2W TS) .....	2	
7	97707-50016-00	SCREW, TAPPING .....	3	
8	4XV-83513-00-00	DAMPER .....	3	
9	90201-05725-00	WASHER, PLATE .....	3	

# CONTENTS

CAMSHAFT - CHAIN	A9
CARBURETOR	B5-6
CLUTCH	B12-C1
COMING 1	E9
COMING 2	E16-12
CRANKCASE	B8
CRANKCASE COVER 1	B9-10
CRANKSHAFT - PISTON	A6
CYLINDER	A5
ELECTRICAL 1	F8-9
ELECTRICAL 2	F16-11
EXHAUST	B7
FENDER	C8-9
FLASHER LIGHT	F3
FLAME	C5-7
FRONT BRAKE CALIPER	D9
FRONT FORK	D0-4
FRONT MASTER CYLINDER	E2-3
FUEL TANK	D8
GENERATOR	F1
HANDLE SWITCH - LEVER	F7
HEADLIGHT	F5
INTAKE	B4
METER	F4
OK CLEANER	B2
RADIATOR - HOSE	A12-B1
REAR AXLE	C11-12
REAR BRAKE CALIPER	D12
REAR MASTER CYLINDER	E7-8
REAR SUSPENSION	D1
REAR WHEEL	D16-11
SEAT	D7
SHIRT CAM - FORK	C4
SHIRT SHAFT	C5
SIDE COVER	C10
STAND - FOOTREST	E4-6
STARTER	B11
STARTING MOTOR	F2
STEERING HANDLE - CABLE	D2
TAILLIGHT	E1
TRANSMISSION VALVE	F6
WATER PUMP	C2-3
	A7-8
	A16-11

# HEADLIGHT

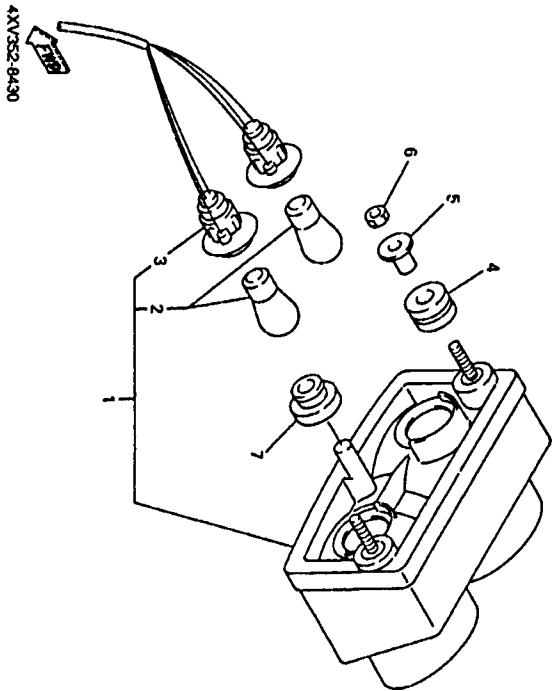


Ref. No.	Part Number	Description	Qty	Remarks
1	4XV-94310-20-00	HEADLIGHT UNIT ASSEMBLY . . .	1	
2	8Y0-94314-00-00	BULB (12V-60/55W) . . . . .	2	
3	4SV-94337-00-00	COVER, SOCKET . . . . .	2	
4	97707-60016-00	SCREW, TAPPING . . . . .	5	
5	4XV-94339-10-00	CORD, HEADLIGHT . . . . .	1	

## CONTENTS

AA	CAMSHAFT - CYM
B5-4	CLUTCH
B12, L51	COILING 1
E16, E2	COILING 2
B6	CRANKCASE
B5-10	CRANKCASE COVER 1
A6	CYLINDER - PISTON
A5	ELECTRICAL 1
F9-9	ELECTRICAL 2
F6-11	EXHAUST
B7	FENDER
C9-9	FLASHER LIGHT
F3	FLUID
C6-7	FRONT BRAKE CALIPER
D9	FRONT BUSH
D3-4	FRONT MASTER CYLINDER
E2-3	FRONT WHEEL
D6	FUEL TANK
D5-4	GENERATOR
F1	HEADLIGHT
F7	HEADLIGHT SWITCH - LEVER
F5	HEADLIGHT
B4	METERS
B4	METER
B3	ON - CLEANER
B2	OIL FLUID
A12, B1	PALANTON - HOSE
CT-12	REAR AXLE
D12	REAR BRAKE CALIPER
E7-4	REAR MASTER CYLINDER
D1	REAR SUSPENSION
D16-11	SEAT WHEEL
D7	SEAT CUM - FORK
C4	SHIRT CUM - FORK
C3	SHIRT CUM - FORK
C10	SIZE COVER
E4-4	STAND - FOOTREST
B11	STARTER
F2	STARTING MOTOR
D2	STEERING HANDLE - CABLE
E1	TAILLIGHT
CS-3	TRANSMISSION
F8	VALVE
A10-11	WATER PUMP

# TAILLIGHT



Ref. No.	Part Number	Description	Qty	Remarks
1	4XV-94710-10-00	TAILLIGHT UNIT ASSEMBLY ...	1	
2	137-94714-80-00	. BULB, TAILLIGHT (12V-21/5W)	2	
3	3LK-9473A-00-00	. CORD ASSEMBLY	1	
4	90490-18276-00	GROMMET	2	
5	90387-06033-00	COLLAR	2	
6	95307-06600-00	NUT	2	
7	90490-18171-00	GROMMET	1	

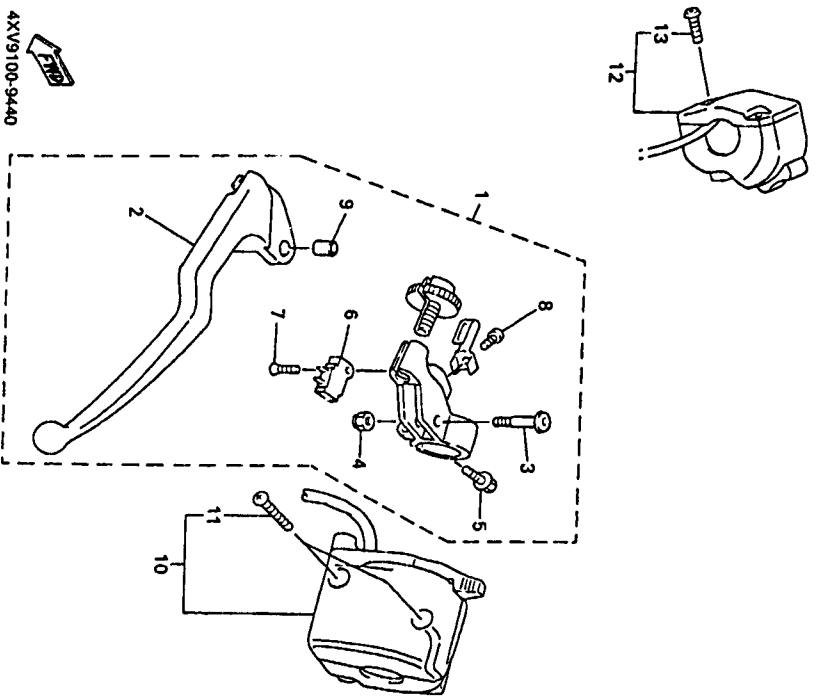
## CONTENTS

Part Number	Description	Code
4XV-94710-10-00	TAILLIGHT UNIT ASSEMBLY	A9
137-94714-80-00	BULB, TAILLIGHT (12V-21/5W)	B2-B4
3LK-9473A-00-00	CORD ASSEMBLY	B7C1
90490-18276-00	GROMMET	E9
90387-06033-00	COLLAR	E10-E12
95307-06600-00	NUT	B6
90490-18171-00	GROMMET	B9-B10
4XV-94710-10-00	TAILLIGHT UNIT ASSEMBLY	A9
137-94714-80-00	BULB, TAILLIGHT (12V-21/5W)	B2-B4
3LK-9473A-00-00	CORD ASSEMBLY	B7C1
90490-18276-00	GROMMET	E9
90387-06033-00	COLLAR	E10-E12
95307-06600-00	NUT	B6
90490-18171-00	GROMMET	B9-B10

# HANDLE SWITCH - LEVER

Ref. No.	Part Number	Description	Qty	Remarks
----------	-------------	-------------	-----	---------

1	4XV-82910-10-00	LEVER HOLDER ASSEMBLY (LEFT)	1	
2	4XV-83912-10-00	. LEVER 1	1	
3	4XV-83945-00-00	. BOLT, LEVER	1	
4	95607-06100-00	. NUT, U	1	
5	95027-06020-00	. BOLT, FLANGE	1	
6	4XV-82917-00-00	. SWITCH	1	
7	98707-03016-00	. SCREW, FLAT HEAD	1	
8	98507-04010-00	. SCREW, PAN HEAD	1	
9	4XV-83913-00-00	. COLLAR, LEVER 1	1	
10	4XV-83973-01-00	SWITCH, HANDLE 3	1	
11	98507-05025-00	. SCREW, PAN HEAD	2	
12	4UJ-83975-00-00	SWITCH, HANDLE 2	1	
13	98507-05022-00	. SCREW, PAN HEAD	2	



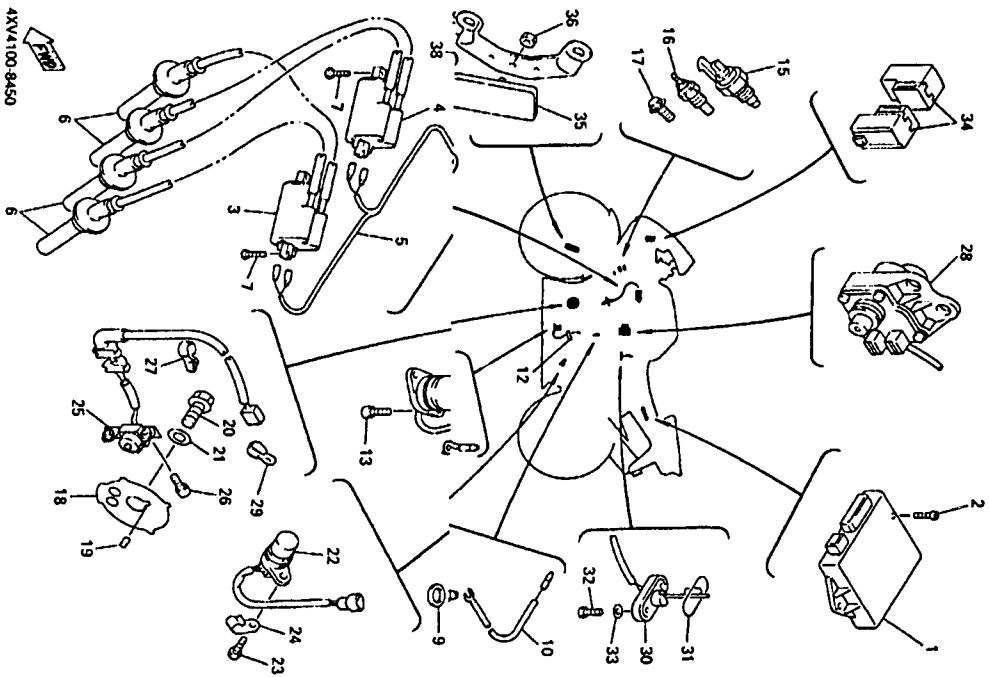
4XV9100-9440

## CONTENTS

A8	CAMSHAFT - CHAIN
85-6	CARBURETOR
B12, C1	CLUTCH
E9	CONVULSION 1
E10-12	CONVULSION 2
B8	CRANKCASE
B9-10	CRANKCASE COVER 1
A4	CRANKSHAFT - INSTOM
A5	CYLINDER
FB-9	ELECTRICAL 1
F10-11	ELECTRICAL 2
87	EXHAUST
CB-9	FLASHER LIGHT
F3	FENDER
CE-7	FRAME
D6	FRONT BRAKE CALIPER
D3-4	FRONT FORK
E3-3	FRONT MASTER CYLINDER
D8	FRONT WHEEL
DE-4	FUEL TANK
F1	GENERATOR
F7	HANDLE SWITCH - LEVER
F5	HEADLIGHT
B4	HEADLIGHT METER
F4	METER
B3	OIL CLEANER
B2	OIL PUMP
A12, B1	RADIATOR - NOSE
C11-12	REAR ARM
D12	REAR BRAKE CALIPER
E7-4	REAR MASTER CYLINDER
D1	REAR SUSPENSION
D10-11	REAR WHEEL
D7	SEAT
CS	SHEET CAMP - FORK
C4	SHEET SHAFT
C10	SIDE COVER
E4-6	STAND - FOOTREST
B11	STARTER
F2	STARTING MOTOR
D2	STEERING HANDLE - CABLE
E1	TAILLIGHT
FB	TRANSMISSION
CS-3	VALVE
A7-4	WATER PUMP
A10-11	



# ELECTRICAL 1



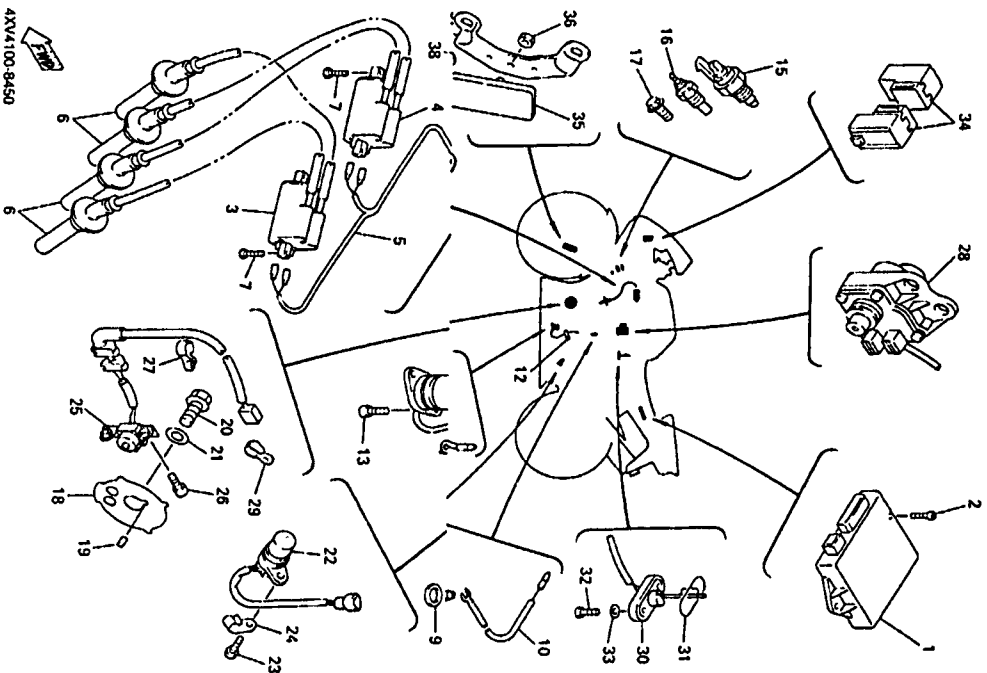
Ref. No.	Part Number	Description	Qty	Remarks
1	4XV-82305-30-00	IGNITOR UNIT ASSEMBLY ...	1	
2	97707-80016-00	SCREW, TAPPING ...	1	
3	4XV-82310-00-00	IGNITION COIL ASSEMBLY ...	2	
4	4XV-82320-00-00	IGNITION COIL ASSEMBLY ...	1	
5	4XV-82309-00-00	WIRE, SUB LEAD ...	1	
6	4XV-82370-00-00	PLUG CAP ASSEMBLY ...	4	
7	97707-80025-00	SCREW, TAPPING ...	4	
8	4XV-82540-00-00	NEUTRAL SWITCH ASSEMBLY ...	1	
9	90430-10148-00	GASKET ...	1	
10	4XV-82541-00-00	WIRE LEAD ...	1	
11	4XV-85720-00-00	OIL LEVEL GAUGE ASSEMBLY ...	1	
12	5Y9-12491-00-00	CLAMP 1 ...	1	
13	91317-06014-00	BOLT ...	2	
14	90465-08076-00	CLAMP ...	1	
15	3LN-82560-01-00	THERMO SWITCH ASSEMBLY ...	1	
16	11H-83591-00-00	THERMO UNIT ...	1	
17	95027-06010-00	BOLT, FLANGE ...	1	
18	4XV-81673-00-00	ROTOR ...	1	
19	93804-29151-00	PNL, DOWEL ...	1	
20	90105-10290-00	BOLT, WASHER BASED ...	1	
21	90201-107K6-00	WASHER, PLATE ...	1	
22	4XV-83735-00-00	SENSOR, SPEED ...	1	
23	91317-06014-00	BOLT ...	1	
24	90465-08028-00	CLAMP ...	1	
25	4XV-81670-10-00	PICK-UP ASSEMBLY ...	1	
26	91317-06012-00	BOLT ...	2	
27	90465-08191-00	CLAMP ...	1	
28	4FLK-85820-00-00	SERVO MOTOR ASSEMBLY ...	1	

## CONTENTS

Part Name	Code
CRANKSHAFT - CHAIN	A9
CARBURETOR	B5-4
CLUTCH	B12, C1
CONNECTING 1	E9
CONNECTING 2	E10-12
CRANKCASE	B8
CRANKCASE COVER 1	B9-10
CRANKSHAFT - PISTON	A6
CYLINDER	A5
ELECTRICAL 1	F10-11
ELECTRICAL 2	F9
EXHAUST	B7
FENDER	C8-9
FLASHER LIGHT	F3
FRAME	C6-7
FRONT BRAKE CALPER	D9
FRONT FORK	D3-4
FRONT MASTER CYLINDER	E2-3
FRONT WHEEL	D6
FUEL TANK	D5-6
GENERATOR	F7
HANDLE SWITCH - LEVER	F5
HEADLIGHT	B4
HEADLIGHT METER	F4
METER	B3
OIL CLEANER	B2
OIL PUMP	A12, B1
RADIATOR - HOSE	C1-1-12
REAR AXLE	D12
REAR BRAKE CALPER	E7-8
REAR MASTER CYLINDER	D12
REAR SUSPENSION	D1
REAR WHEEL	D10-11
SEAT	D7
SHIFT CAM - FORK	C4
SHIFT SHAFT	C5
SIDE COVER	C10
STAND - FOOTREST	E4-5
STARTER	B11
STARTING MOTOR	F2
STEERING HANDLE - CABLE	D2
TAILLIGHT	E1
TRANSMISSION	C2-3
VALVE	A7-8
WATER PUMP	A10-11

CONTINUED ON NEXT FRAME ▶

# ELECTRICAL 1

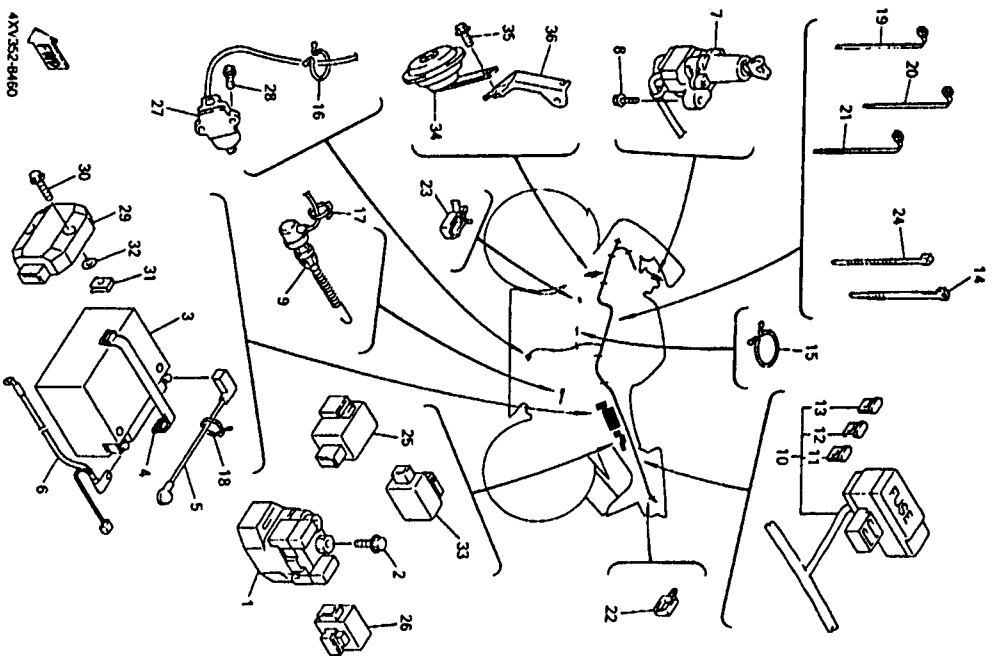


Ref. No.	Part Number	Description	Qty	Remarks
29	90462-08225-00	CLAMP	1	
30	4XV-85752-00-00	SENDER UNIT ASSEMBLY, FUEL METER	1	
31	42X-85753-00-00	GASKET, SENDER UNIT	1	
32	90149-06011-00	SCREW	2	
33	90202-05193-00	WASHER, PLATE	2	
34	4XV-81950-00-00	RELAY ASSEMBLY	2	
35	20G-85110-00-00	REFLECTOR ASSEMBLY	2	
36	95707-05500-00	NUT, FLANGE	2	
37	4XV-85112-00-00	BRACKET, REFLECTOR 1	2	
38	90201-08759-00	WASHER, PLATE	4	

## CONTENTS

A9	CAMSHAFT - CHAIN
B5-6	CARBURETOR
B12 C1	CLUTCH
E9	CONVING 1
E10-12	CONVING 2
B6	CRANKCASE
B9-10	CRANKCASE COVER 1
A6	CRANKSHAFT - PISTON
A5	CYLINDER
F8-9	ELECTRICAL 1
F10-11	ELECTRICAL 2
B7	EXHAUST
C8-9	FLASHER LIGHT
F3	FLAME
D9	FRONT BRAKE CALIPER
D3-4	FRONT FORK
E3-5	FRONT MASTER CYLINDER
D8	FRONT WHEEL
D5-6	FUEL TANK
F1	GENERATOR
F7	HANDLE SWITCH - LEVER
F5	HEADLIGHT
B4	HEADLAMP
F4	METER
B3	METER
B2	OK, CLEANER
A12 B1	RADIATOR - HOSE
C11-12	REAR ARM
D12	REAR BRAKE CALIPER
E7-8	REAR MASTER CYLINDER
D1	REAR SUSPENSION
D10-11	REAR WHEEL
D7	SEAT
C4	SHIFT CAM - FORK
C5	SHIFT SHAFT
C10	SIDE COVER
E4-6	STAND - FOOTREST
B11	STARTER
F2	STARTING MOTOR
D2	STEERING HANDLE - CABLE
E1	TAILLIGHT
F8	TRANSMISSION
C3-5	VALVE
A7-8	WATER PUMP
A10-11	WATER PUMP

# ELECTRICAL 2



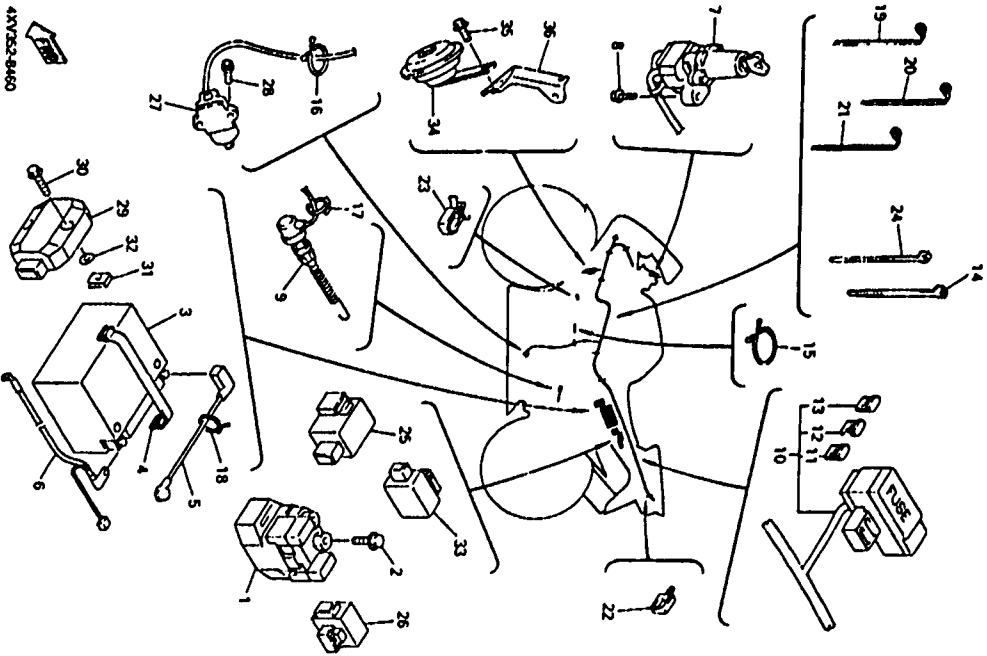
Part No.	Part Number	Description	Qty	Remarks
1	4YH-81940-00-00	STARTER RELAY ASSEMBLY	1	
2	9S027-08008-00	BOLT, FLANGE	2	
3	4TX-82100-01-00	BATTERY ASSEMBLY (G172B-4)	1	
4	3L-82131-01-00	BAND, BATTERY	1	
5	4XY-82115-00-00	WIRE, PLUS LEAD	1	
6	4XY-82116-00-00	WIRE, MINUS LEAD	1	
7	4XY-82501-10-00	MAIN SWITCH STEERING LOCK	1	
8	90109-08065-00	BOLT	1	
9	4XY-82530-00-00	STOP SWITCH ASSEMBLY	2	
10	4XY-82590-10-00	WIRE HARNESS ASSEMBLY	1	
11	36Y-82151-00-00	. FUSE (15A-BL)	2	
12	2KV-82151-00-00	. FUSE (7.5A-BL)	3	
13	2GV-82151-00-00	. FUSE (20A-BL)	3	
14	90464-12036-00	CLAMP	4	
15	90464-30040-00	CLAMP	1	
16	90464-16039-00	CLAMP	2	
17	5Y9-12491-00-00	CLAMP 1	1	
18	90464-13077-00	CLAMP	2	
19	90464-13073-00	CLAMP	5	
20	90464-15195-00	CLAMP	3	
21	90464-12036-00	CLAMP	1	
22	90464-16021-00	CLAMP	3	
23	90464-15157-00	CLAMP	1	
24	90465-13275-00	CLAMP	1	
25	4YV-81950-00-00	RELAY ASSEMBLY	1	
26	4XY-81954-A-00-00	RELAY ASSEMBLY	1	
27	3LD-82566-60-00	SWITCH, SIDE STAND	1	

## CONTENTS

CAMSHAFT - CRANK	A9
CARBURETOR	B-2
CLUTCH	B12
COILING 1	E3
COILING 2	E18/12
CRANKCASE	A16
CRANKCASE COVER 1	B5-10
CRANKSHAFT - PISTON	A5
CYLINDER	P-2
ELECTRICAL 1	F18-11
ELECTRICAL 2	C-7
EXHAUST	B7
FENDER	C-7
FLASHER LIGHT	C-7
FRAME	D-9
FRONT BRAKE CALIPER	D-4
FRONT FORK	D-3
FRONT MASTER CYLINDER	D-3
FRONT WHEEL	D-4
FUEL TANK	D-4
GENERATOR	F7
HANDLE SWITCH - LEVER	F7
HEADLIGHT	F7
HEADLIGHT	F7
METER	P4
METER	P4
OIL CLEANER	B5
RADIATOR - NOSE	A12, B1
REAR ARM	C11-12
REAR BRAKE CALIPER	D12
REAR MASTER CYLINDER	D12
REAR SUSPENSION	D1
REAR WHEEL	D10-11
SEAT	D7
SHIRT CAM, FORK	C5
SHIRT SHAFT	C8
SHOE COVER	C10
STAND - FOOTREST	E44
STARTER	B11
STARTING MOTOR	D2
STEERING	D2
STEERING HANDLE - CABLE	E1
TAIL LIGHT	E1
TRANSMISS. IN	C-3
VALVE	A10-11
WATER PUMP	A10-11

CONTINUED ON NEXT FRAME >

# ELECTRICAL 2



Part No.	Part Number	Description	Qty	Remarks
28	90157-06079-00	SCREW, PAN HEAD	2	
29	4H-81960-01-00	RECTIFIER & REGULATOR ASSEMBLY	1	
30	95927-06025-00	BOLT, FLANGE	2	
31	90183-06053-00	NUT, SPRING	2	
32	90200-05187-00	WASHER, PLATE	2	
33	4M7-43350-01-00	FLASHER RELAY ASSEMBLY	1	
34	3TB-43371-01-00	HORN	1	
35	95907-06010-00	BOLT, FLANGE	1	
36	4VY-2134K-00-00	BRACKET, HORN	1	

## CONTENTS

40	CAMSHAFT - CHAIN	B6-4
41	CLUTCH	B12 C1
42	CONVALVE 1	E3
43	CONVALVE 2	E3-12
44	CYLINDER COVER 1	B6-10
45	CYLINDER COVER 2	A6
46	CYLINDER	R6-9
47	ELECTRICAL 1	F6-11
48	ELECTRICAL 2	B7
49	EXHAUST	C6-9
50	FENDER	C6-7
51	FLASHER LIGHT	D6-4
52	FRONT BRAKE CALIPER	D6-4
53	FRONT MASTER CYLINDER	D6-4
54	FRONT WHEEL	D6-4
55	FUEL TANK	F1
56	GENERATOR	F7
57	HEADLIGHT	F7
58	HEADLIGHT SWITCH - LEVER	F4
59	IGNITION SWITCH	F4
60	METER	B6
61	ON, CLEANER	B6
62	ON, PUMP	A12 B1
63	RADIATOR - HOSE	C1-12
64	REAR BRAKE CALIPER	D12
65	REAR MASTER CYLINDER	E7-4
66	REAR SUSPENSION	D1
67	REAR WHEEL	D16-11
68	SEAT	D7
69	SHIFT CAM - FORK	C4
70	SHIFT SHAFT	C6
71	SIDE COVER	C18
72	STAND - FOOTREST	E4-4
73	STARTER	B11
74	STARTING MOTOR	F2
75	STEERING HANDLE - CABLE	D2
76	TAILLIGHT	E1
77	TRANSMISSION	R
78	VALVE	C6-3
79	WATER PUMP	A7-4
80		A16-11